

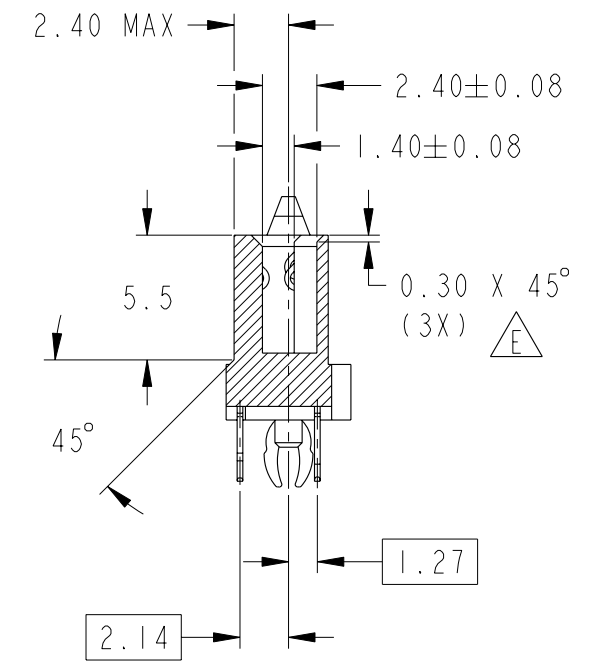
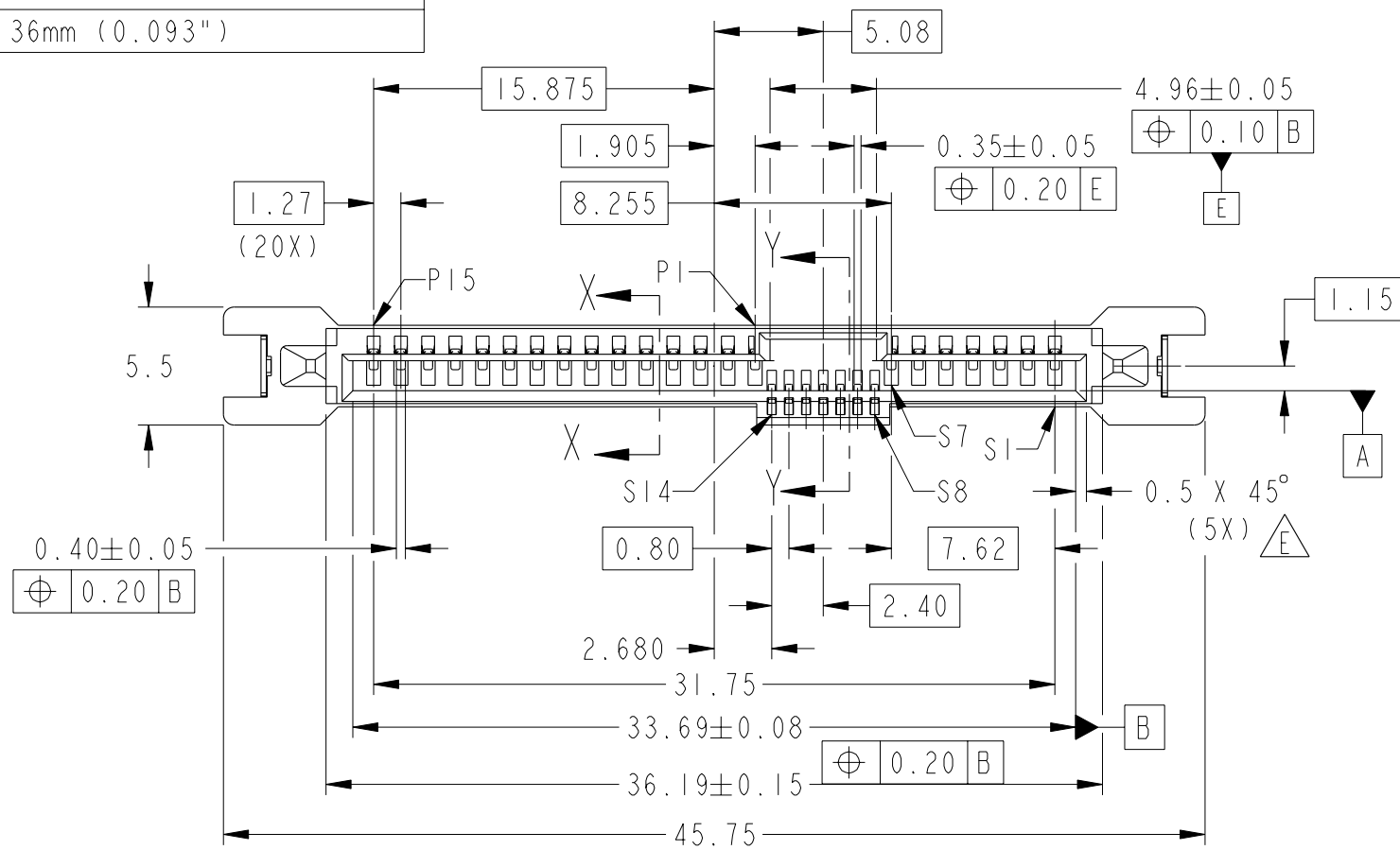
PRODUCT NO	DIM L	RECOMMENDED P.C. BOARD THICKNESS
10018182-00ILF	2.70	1.57mm (0.062") / 2.36mm (0.093")
10018182-01ILF	3.70	2.36mm (0.093")

A

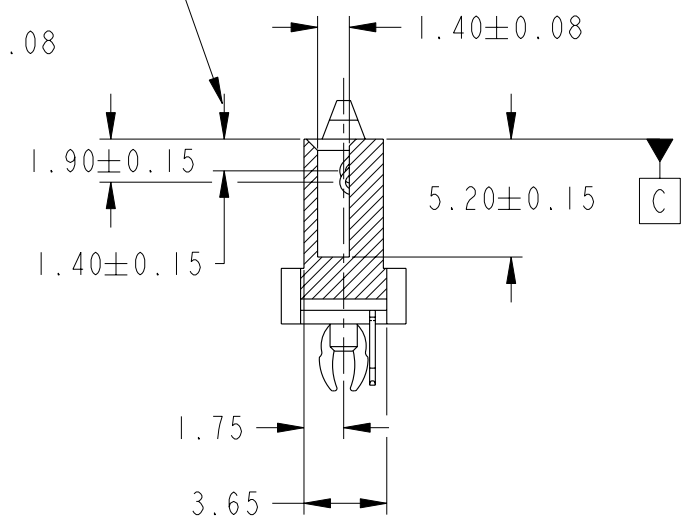
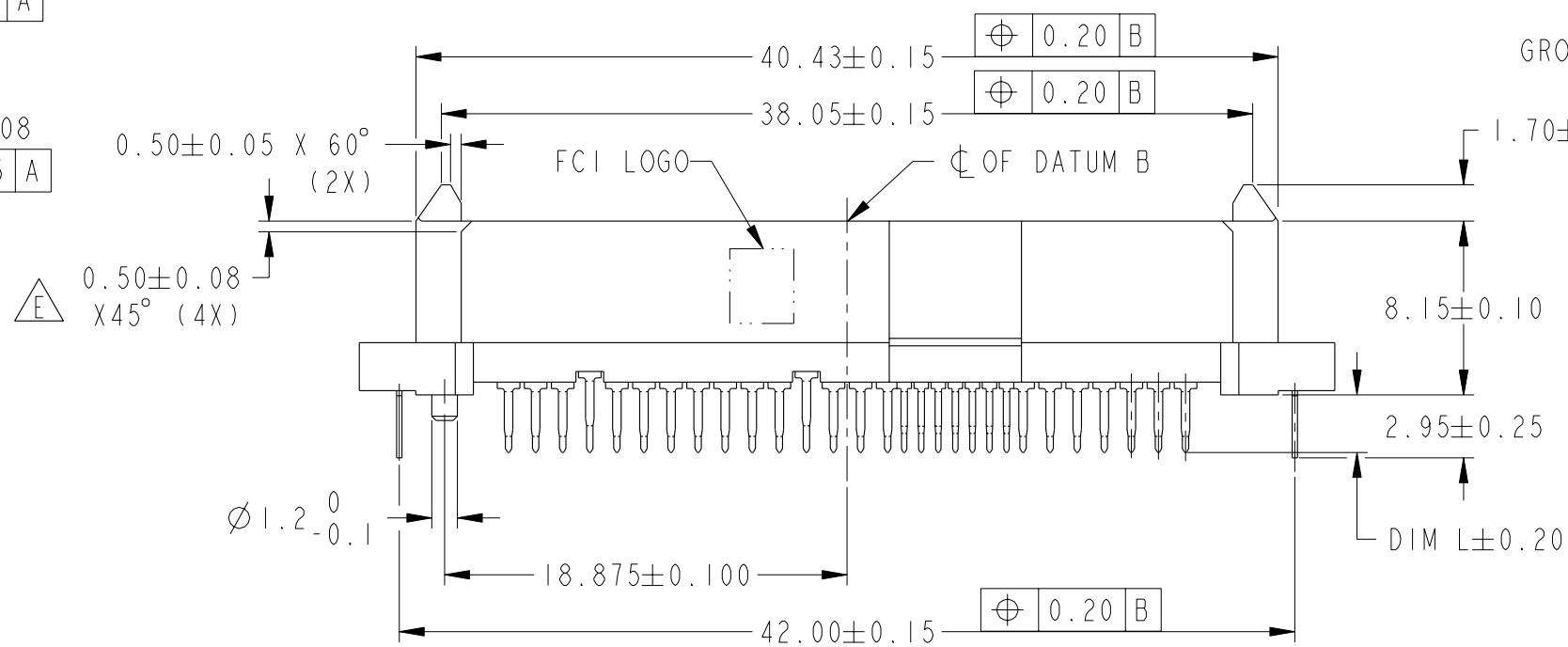
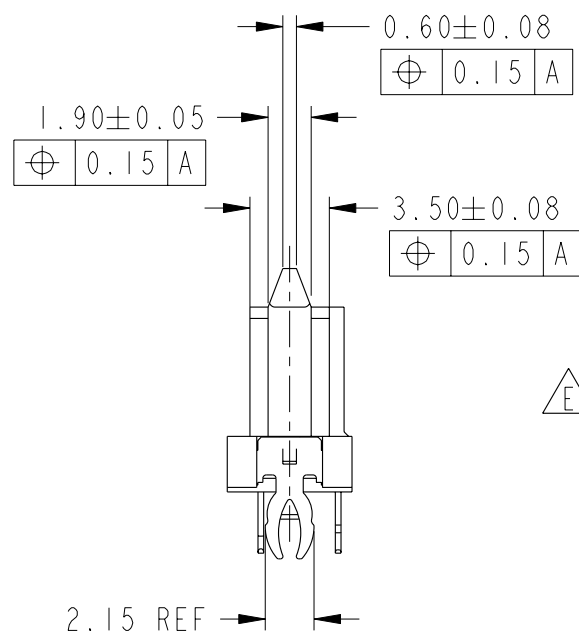
B

C

D



SECTION Y - Y



SECTION X - X

spec ref	-	dr	GL LOO	2004-02-27	projection	MM	size	A3	scale	3:1
tolerance std	ISO 406 ISO 1101	eng	GL LOO	2004-02-27			ecn no	S10-0228	rel level	-
TOLERANCES UNLESS OTHERWISE SPECIFIED		chr	GL LOO	2010-10-28						
surface	ISO 1302	appr	JOEY NG	2010-10-28			dwg no	10018182	rev	E
	linear	0.X	±				Product - Customer Drw		sheet 1 of 2	
		0.XX	±0.20				PDS: Rev :E		STATUS:Released	
		0.XXX	±				Printed: Nov 01, 2011			
	angular	0°	±2°							

A

B

C

D



Copyright FCI.



www.fci.com

SAS RECEPTACLE
VERTICAL TH TYPE ASSY

cat. no.

Product - Customer Drw

sheet 1 of 2

