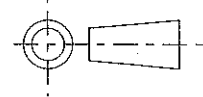


ISS.	DATE	E.C.N.	DESCRIPTION
1	17-Aug-06		FIRST ISSUE
1A	26-Jan-11	10/09/1254	DIM. TOLLERANCES CHANGED + NOTE ADDED

© 2010 CTP-COIL  
ALL DIMENSIONS IN mm

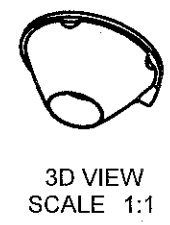
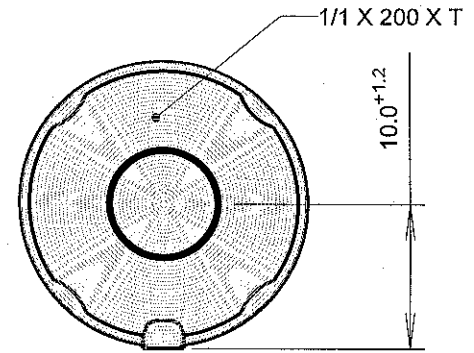


**CUSTOMER DRAWING**



CARCLO TECHNICAL PLASTICS (SLOUGH)  
111 BUCKINGHAM AVE, SLOUGH  
SL1 4PF, ENGLAND  
TEL: +44 1753 575011 FAX: +44 1753 811359  
e-mail: design@carclo-optics.com}

- NOTES:  
1. MATERIAL - UV STABILISED POLYCARBONATE  
2. INCLUSIONS SPECIFIED TO BS4301



GENERAL TOLERANCES (UNLESS STATED)

LINEAR	ANGULAR
X +/- 0.25	X +/- 1°
X.X +/- 0.1	X.X +/- 0.5°
X.XX +/- 0.05	X.XX +/- 0.1°

CUSTOMER  
**CARCLO**

TITLE  
**WIDE CIRCULAR 14MM  
OFFSET FOCUS 20MM DIA OPTIC**

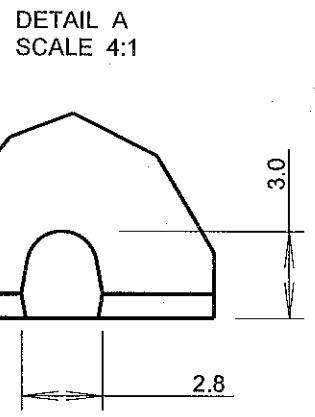
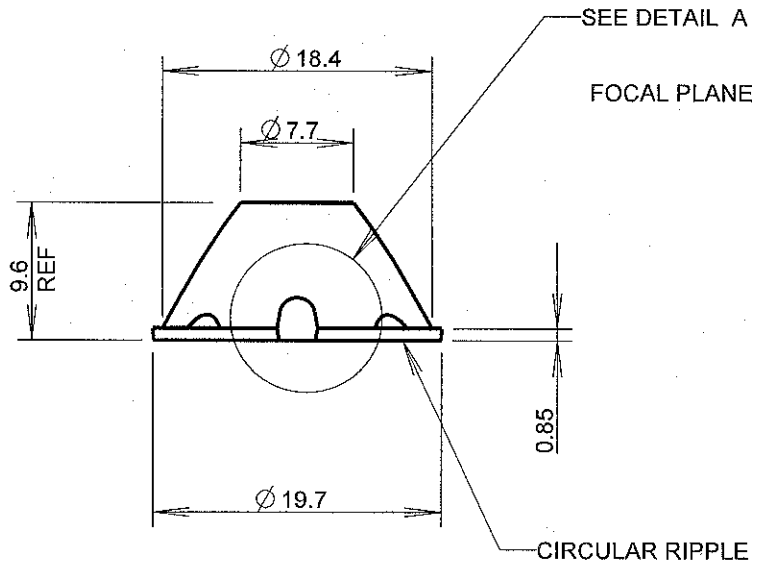
DRAWN **AJD** DATE **17-Aug-06**

CHK'D \_\_\_\_\_ DATE \_\_\_\_\_

APP'D \_\_\_\_\_ DATE \_\_\_\_\_

SCALE **2:1** CARCLO PART No. **10211**

SIZE **A4** CARCLO DRG. No. **60439** SHEET **2 OF 2**



	A	B	C	D	E	F	G
1							
2							
3							
4							
5							
	A	B	C	D	E	F	G