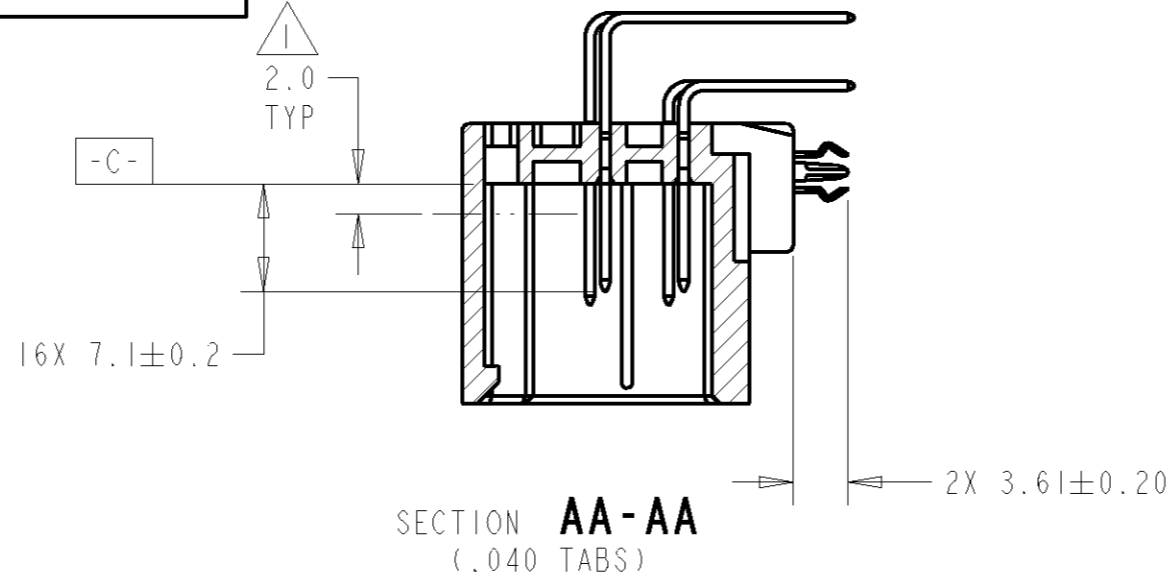
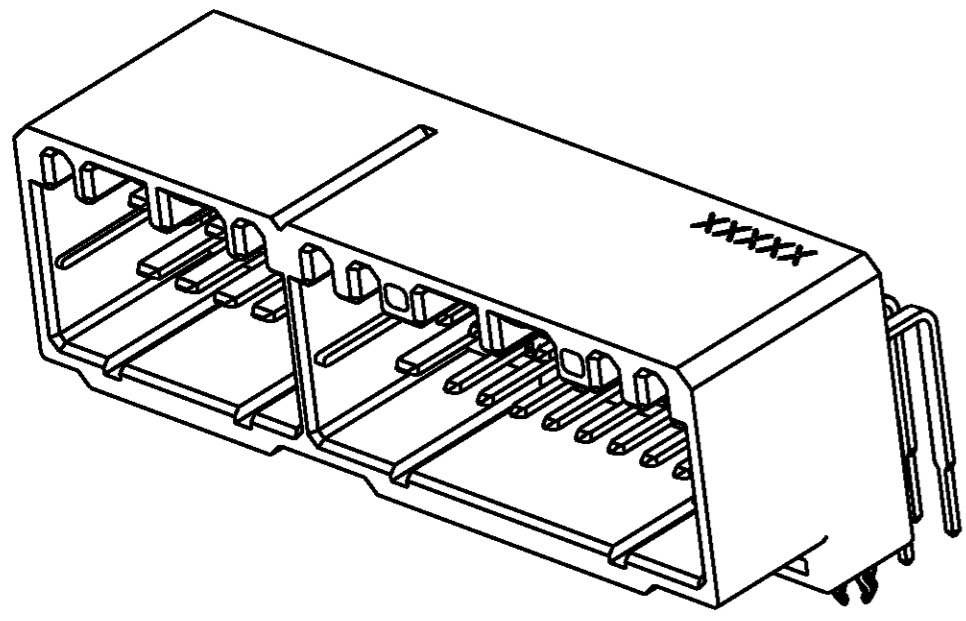
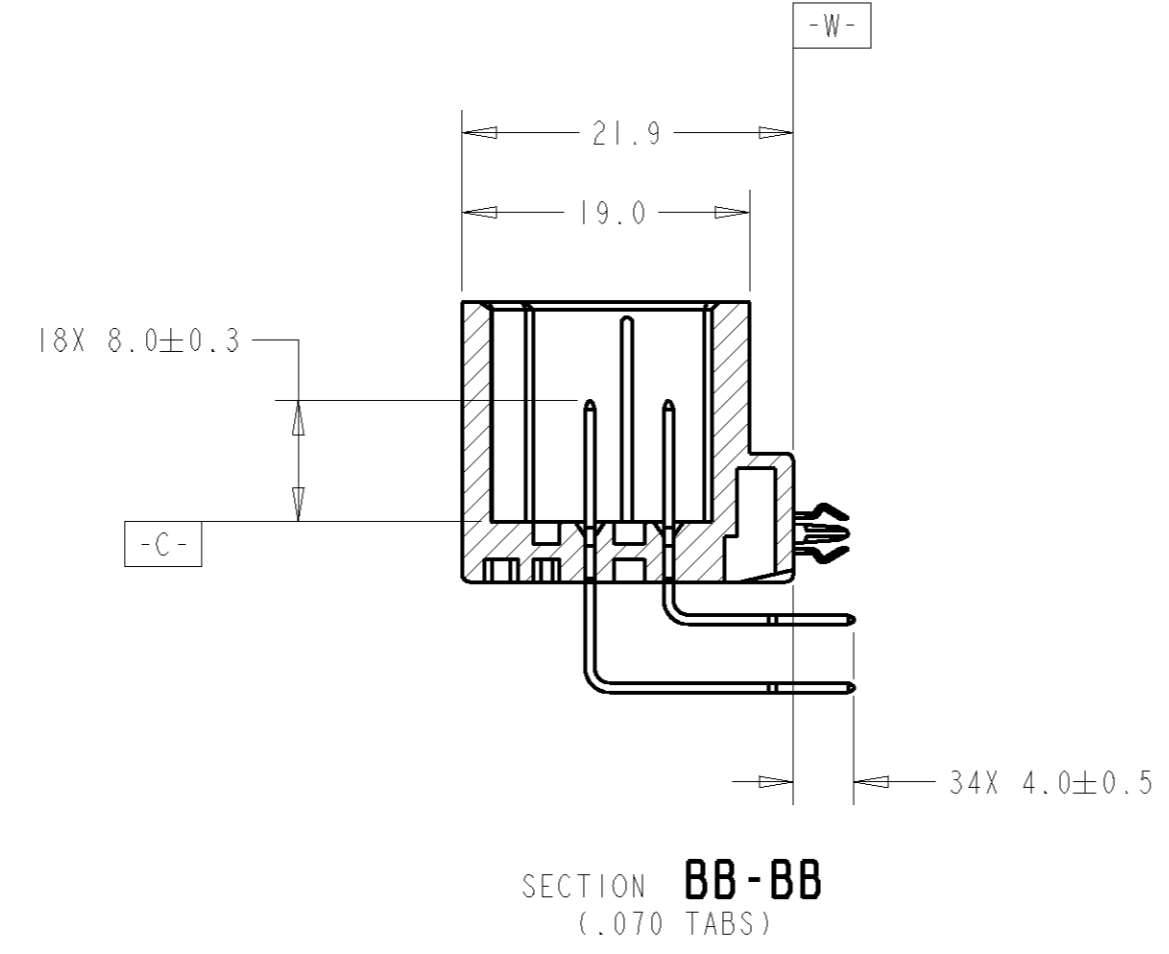
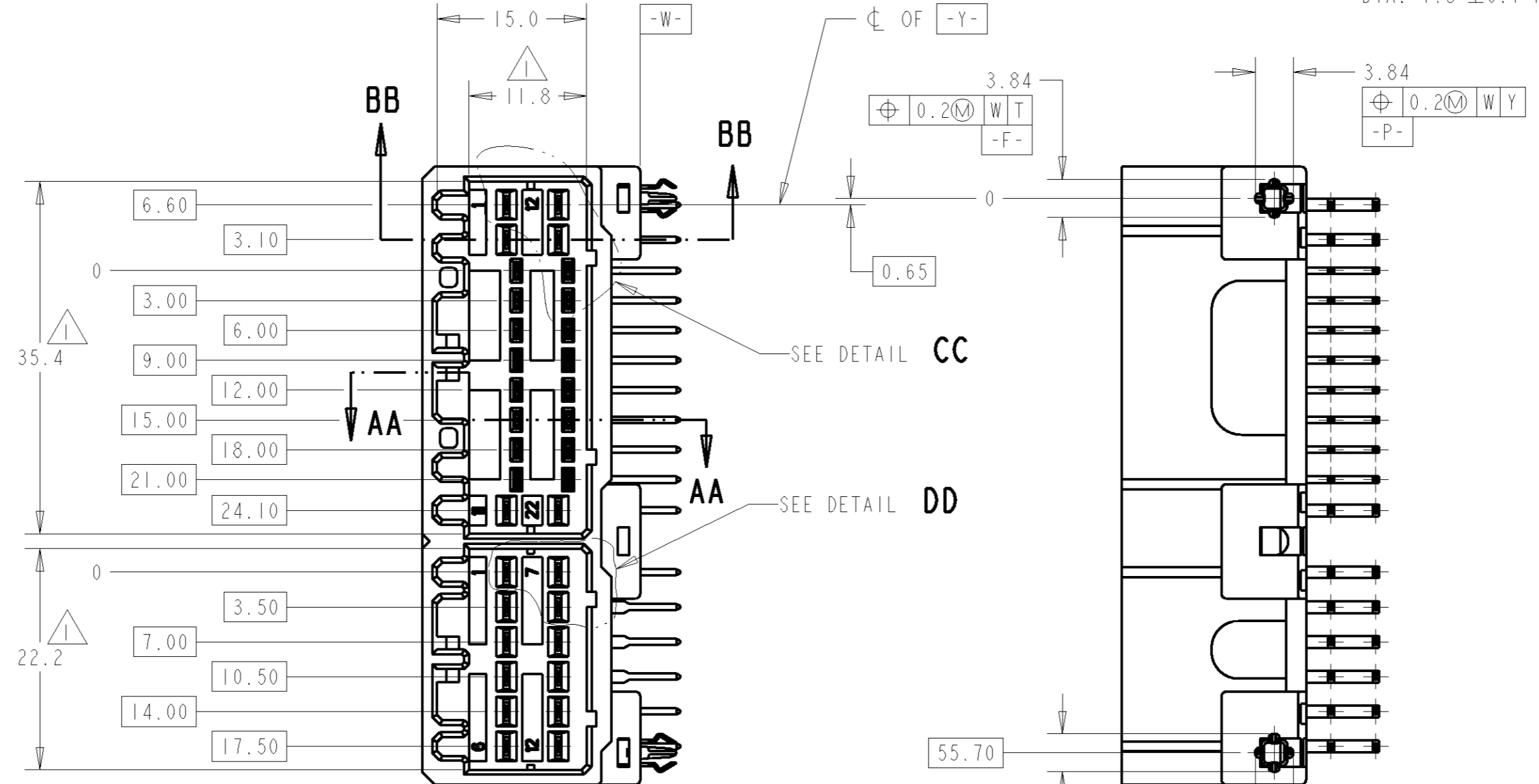
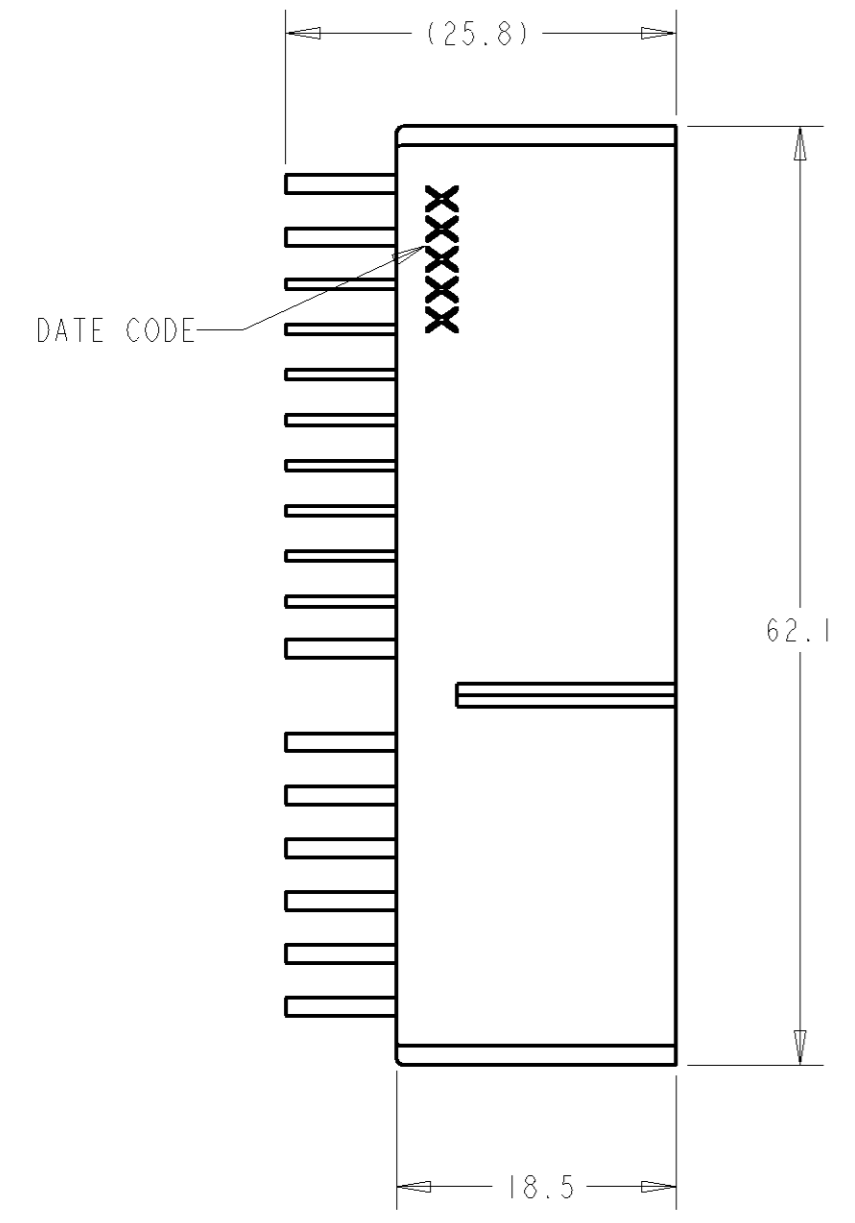


THIS DRAWING IS UNPUBLISHED. RELEASED FOR PUBLICATION 20
 © COPYRIGHT 20 BY TYCO ELECTRONICS CORPORATION. ALL RIGHTS RESERVED.

LOC	DIST	REVISIONS			
P	LTR	DESCRIPTION	DATE	DWN	APVD
	Q	PRELIM RLSD PER EC 0K80-0413-04	24NOV2004	RGV	RMC
	A	REVISED PER EC 0K80-0021-05	04FEB2005	RDW	RMC
	AI	RELEASED PER ECR 05-000198	20MAY2005	DLD	RMC



- 1 DIMENSION MUST BE HELD BETWEEN -C- AND 2mm FROM -C-
- 2 DATUMS AND BASIC DIMENSIONS ESTABLISHED BY CUSTOMER.
- 3. THE MATING PLUG PART NUMBERS ARE 917978 AND 917989.
- 4 JAPAN PART NUMBER 175444-6 CUSTOMER DRAWING RECOMMENDS DIA. 1.1 ±0.1 HOLES. USA RECOMMENDS HOLE DIA. 1.3 ±0.1 FOR ROBOTIC PLACEMENT.

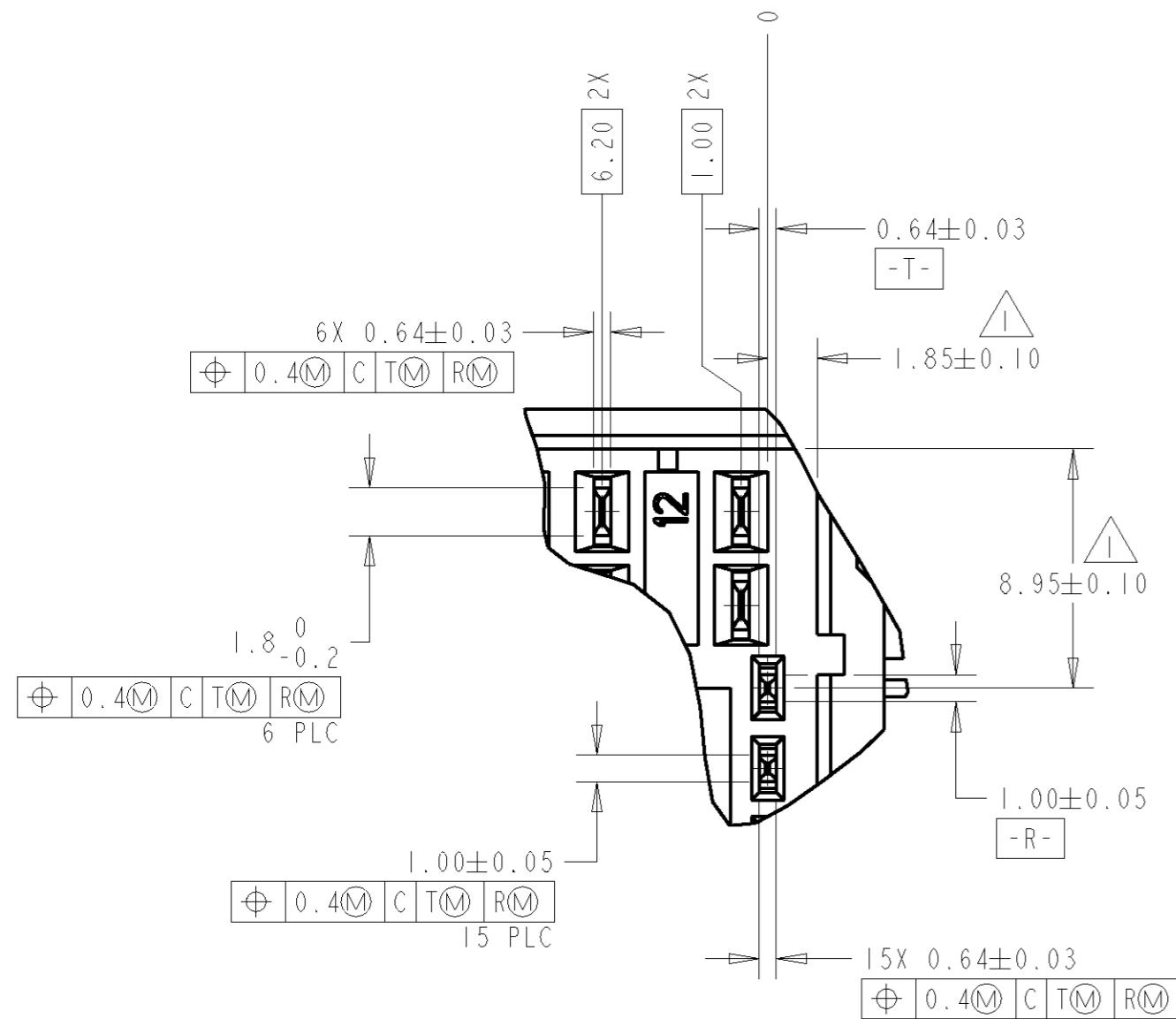


BRASS	PRE-TIN	BRASS	PRE-TIN	PBT	NATURAL	9-1438845-1
MATERIAL	FINISH	MATERIAL	FINISH	MATERIAL	COLOR	PART NO
BOARDLOCK			CONTACT		HOUSING	

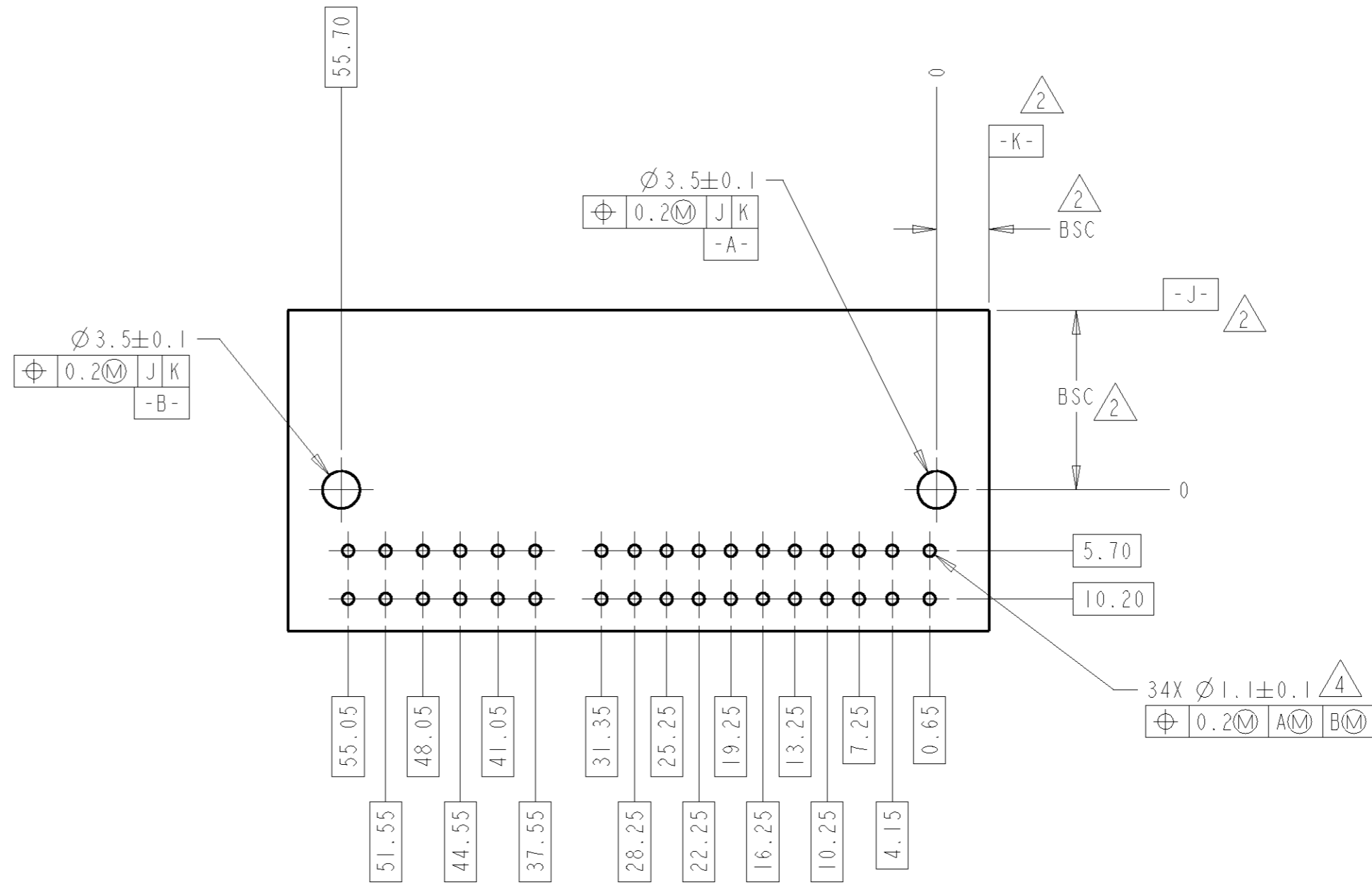
<small>THIS DRAWING IS A CONTROLLED DOCUMENT FOR TYCO ELECTRONICS CORPORATION. IT IS SUBJECT TO CHANGE AND THE CONTROLLING ENGINEERING ORGANIZATION SHOULD BE CONTACTED FOR THE LATEST REVISION.</small>		DWN	24NOV2004	Tyco Electronics Harrisburg, PA 17105-3608	
DIMENSIONS: mm		CHK	24NOV2004		
TOLERANCES UNLESS OTHERWISE SPECIFIED:		APVD	24NOV2004		
0 PLC ± 1 PLC ±0.3 2 PLC ±0.15 3 PLC ± 4 PLC ± ANGLES ±° FINISH		PRODUCT SPEC			
MATERIAL	SEE TABLE	APPLICATION SPEC		NAME	CAP ASSEMBLY, 34 POSN, 040/070 HYBRID, HORIZONTAL MULTILOCK, WITH BOARDLOCKS
CUSTOMER DRAWING		WEIGHT		SIZE	A2
		SCALE	2:1	CAGE CODE	00779
		SHEET	1	DRAWING NO	1438845
		REV	A1	RESTRICTED TO	

THIS DRAWING IS UNPUBLISHED. RELEASED FOR PUBLICATION
 © COPYRIGHT 20 BY TYCO ELECTRONICS CORPORATION. ALL RIGHTS RESERVED.

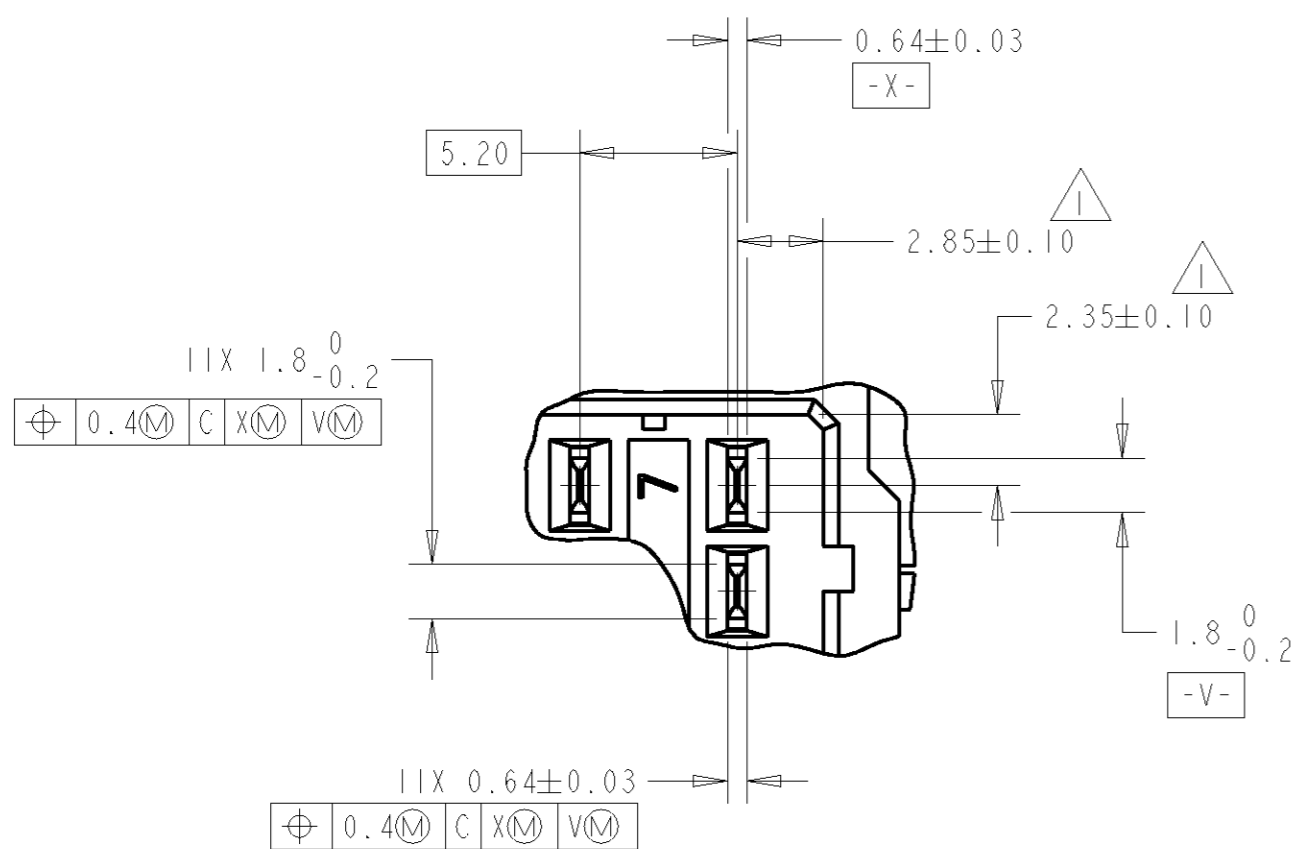
LOC	DIST	REVISIONS				
P	LTR	DESCRIPTION	DATE	DWN	APVD	
FX	00	SEE SHEET 1	-	-	-	



DETAIL CC
SCALE 4:1



PC BOARD LAYOUT (SOLDER SIDE)
(RECOMMENDED BOARD THICKNESS 1.57mm)



DETAIL DD
SCALE 4:1

THIS DRAWING IS A CONTROLLED DOCUMENT FOR TYCO ELECTRONICS CORPORATION. IT IS SUBJECT TO CHANGE AND THE CONTROLLING ENGINEERING ORGANIZATION SHOULD BE CONTACTED FOR THE LATEST REVISION.		DWN R. VESTAL 24NOV2004	Tyco Electronics Harrisburg, PA 17105-3608
DIMENSIONS: mm		CHK R. COOPER 24NOV2004	
TOLERANCES UNLESS OTHERWISE SPECIFIED: 0 PLC ± 1 PLC ±0.3 2 PLC ±0.15 3 PLC ± 4 PLC ±		APVD R. COOPER 24NOV2004	
MATERIAL		PRODUCT SPEC	
FINISH		APPLICATION SPEC	NAME CAP ASSEMBLY, 34 POSN, 040/070 HYBRID, HORIZONTAL MULTILOCK, WITH BOARDLOCKS
-		WEIGHT	SIZE A2
-		CUSTOMER DRAWING	CAGE CODE 00779
-		SCALE 2:1	DRAWING NO 1438845
-		SHEET 2 OF 2	RESTRICTED TO
-		REV A1	