



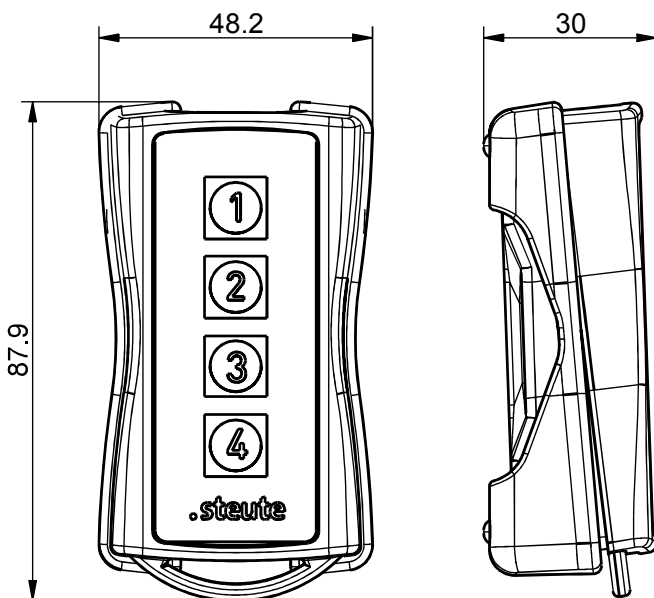
Hand remote control RF HB SW915-4CH Material number: 1316916

Features/Options:

- Thermoplastic enclosure
- sWave® wireless technology
- Keypad with four function keys
- Surrounding sealing (shock protection)

- With lanyard/keychain mounting
- Power supply by Lithium battery
- Easy programming of receiver
- Output signal can be individually configured at the receiver

Dimensions



Technical data

Standards	EN 60947-5-1; EN 61000-6-2, -6-3; EN 61000-4-2, -4-20; EN 301 489-1; EN 301 489-3; EN 300 220-1; EN 300 220-2
Enclosure	ABS graphite grey, similar to RAL 7024, decor seal made of TPE signal red similar to RAL 3001
Degree of protection	IP 54 to IEC/EN 60529
Protocol	sWave®
Ambient temperature	-20 °C ... +65 °C
Storage and shipping temperature	-40 °C ... +85 °C
Operation cycles	approx. 12000 telegrams at repetitions/h
Voltage supply	Lithium-battery CR 2032 (replaceable)
Capacity	approx. 230 mAh
Frequency	915 MHz (USA, Canada and Australia)
Transmission power	< 10 mW
Data rate	66 kbps
Channel bandwidth	266 kHz
Sensing range	max. 450 m outside, max. 50 m inside
Mechanical life	> 1 million operations
Battery life	> 800 000 operations
Actuating time	min. 80 ms
Note	Transmission of battery voltage and switching condition
Approvals	USA: FCC: XK5-RFRXSW915; Canada: IC: 5158A-RFRXSW915