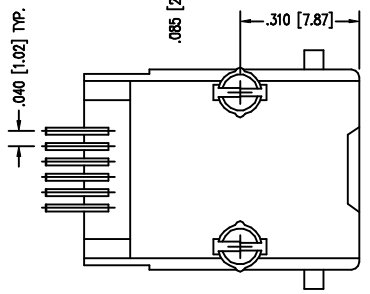
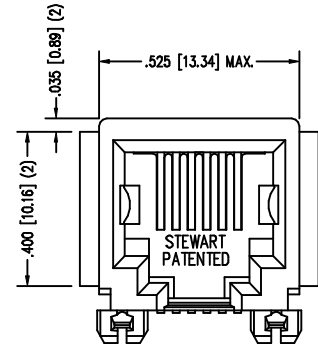
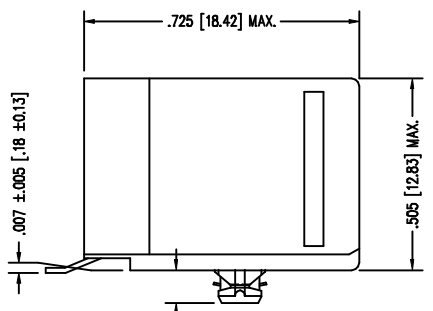
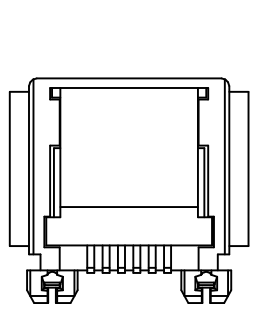
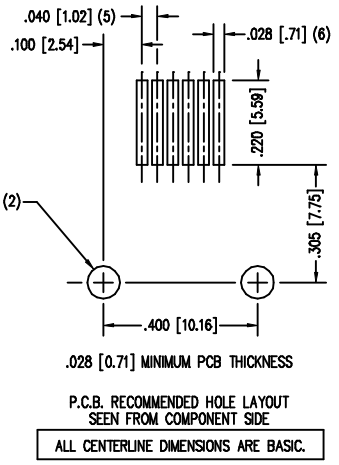
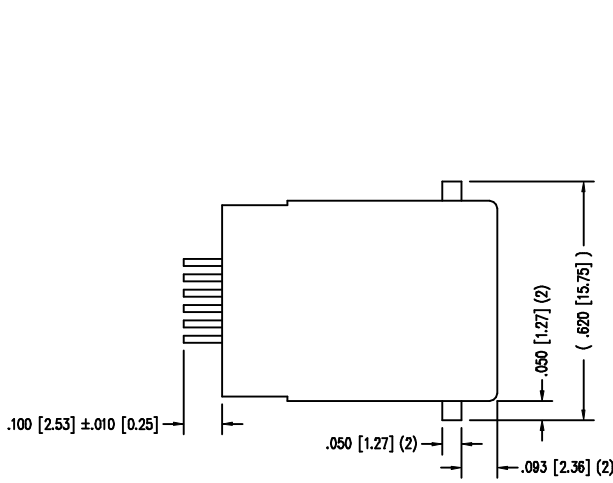


DATE	REV	ECN	APP'D. BY
1-28-03	A1	5803	TRM



- NOTES:
- CONNECTOR MATERIALS:  
HOUSING: THERMOPLASTIC UL94 V-0  
CONTACTS: COPPER ALLOY  
CONTACT PLATING: SELECTIVE GOLD IN CONTACT AREA  
SEE CHART FOR PART NUMBER
  - FOR PRODUCT SPECIFICATION SEE PRO22-01
  - TOLERANCES COMPLY WITH F.C.C. DIMENSION REQUIREMENTS.

30 MICRO-INCHES [0.76um]	SS-6866B-FLS-C40
CONTACT PLATING	PART NUMBER

THIRD ANGLE PROJECTION			
DO NOT SCALE DRAWING DRAWING IS SUBJECT TO CHANGE WITHOUT NOTICE			
DIMENSIONS: INCHES [METRIC]		11118 Susquehanna Trail South Glen Rock, PA 17327-9199 (717) 235-7512 Fax: (717) 235-7954 <a href="http://www.stewartconnector.com">http://www.stewartconnector.com</a>	
UNLESS OTHERWISE SPECIFIED TOLERANCES ARE ±.005 [0.13] ANGLES ARE ± 1°		<b>TITLE:</b> SIX CONTACT, SIX POSITION; SURFACE MOUNT JACK FLANGED, CONTACTS ON .040" CENTERS	
SHEET NO. 1 OF 1		DRN BY: TRM CKD BY: TRM APP'D BY: RGC DWG NO. CT680015	DATE 1-28-03 DATE 1-28-03 DATE 1-28-03 REV. A1
THIS DRAWING AND THE SUBJECT MATTER SHOWN THEREON ARE CONFIDENTIAL AND THE PROPRIETARY PROPERTY OF STEWART CONNECTOR ("SCS") AND SHALL NOT BE REPRODUCED, COPIED OR USED IN ANY MANNER WITHOUT PRIOR WRITTEN CONSENT OF "SCS". THE SUBJECT MATTER MAY BE PATENTED OR A PATENT MAY BE PENDING. © SCS			