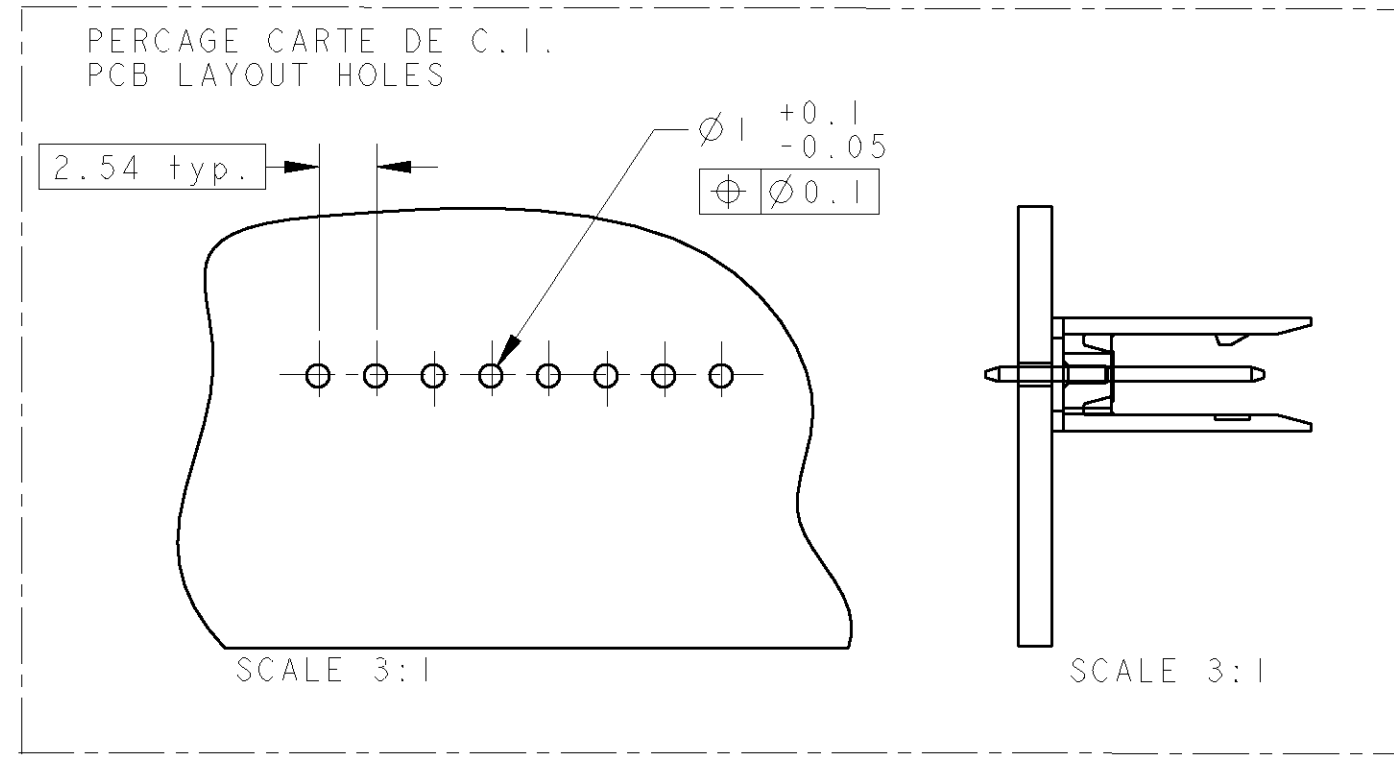
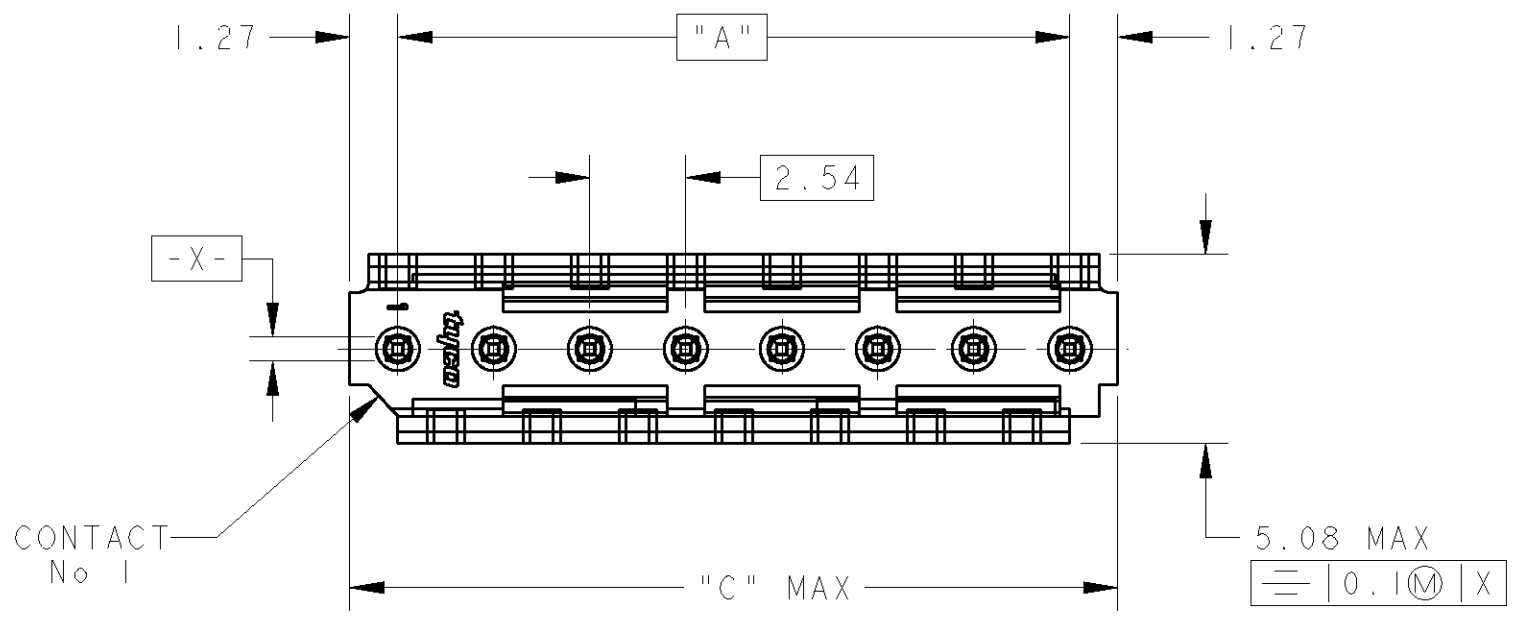
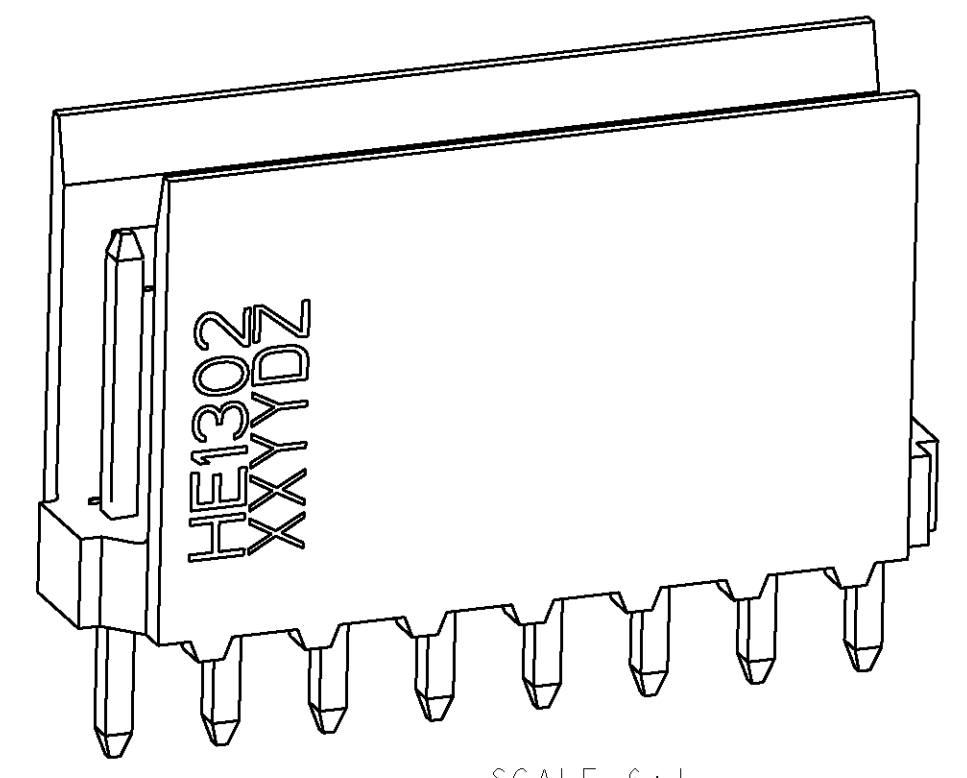
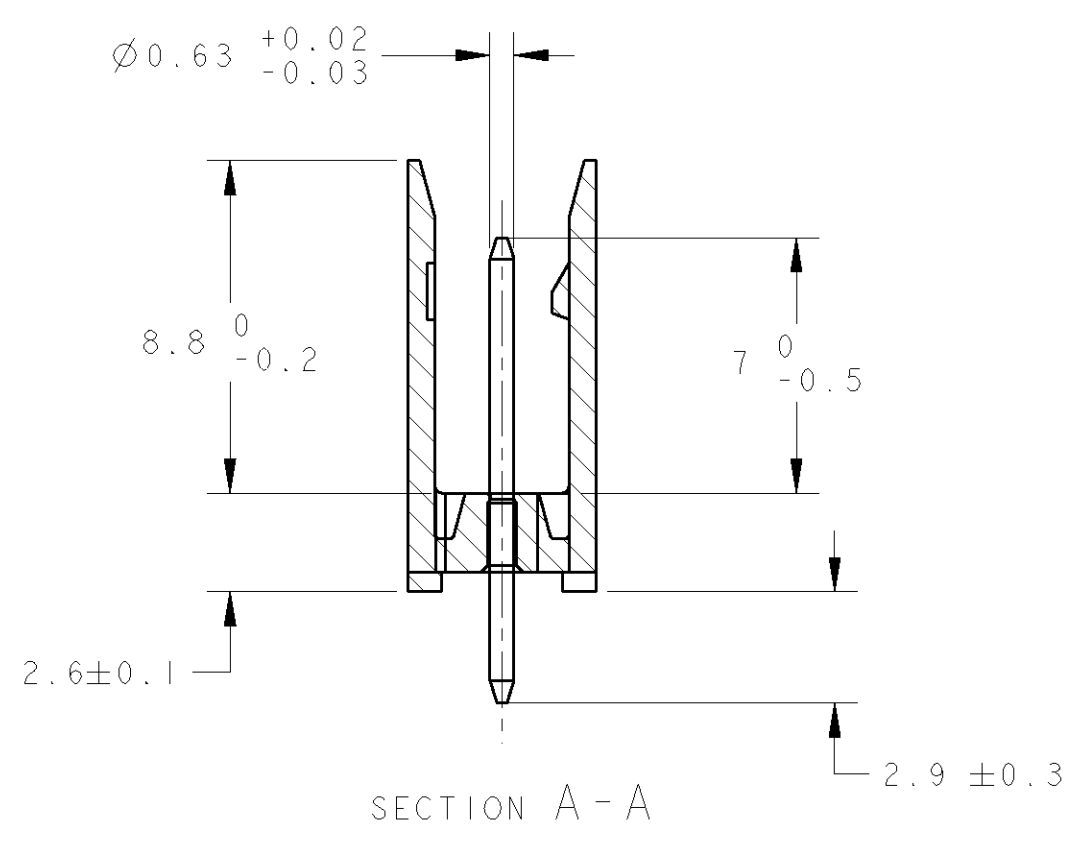
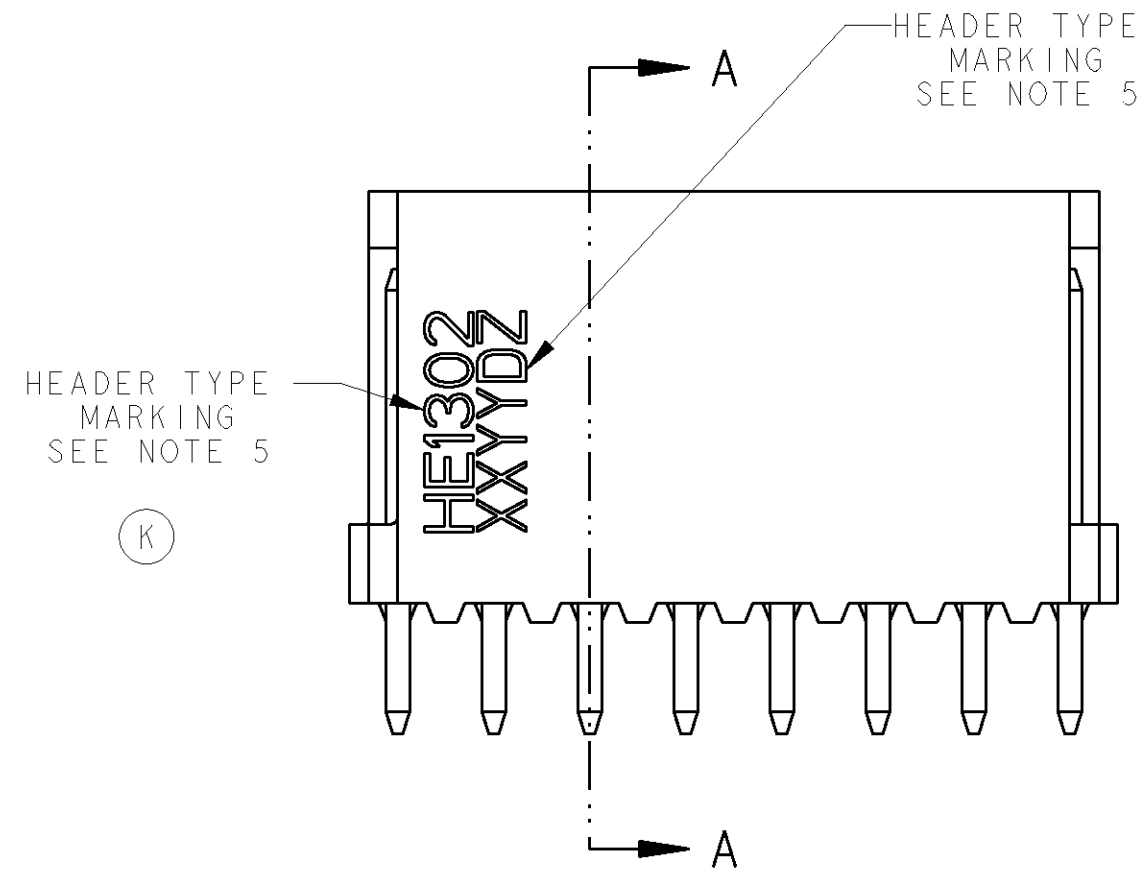


THIS DRAWING IS UNPUBLISHED.
 DIFFUSION RESTREINTE
 (C) COPYRIGHT

RELEASED FOR PUBLICATION
 LIBRE A LA DIFFUSION
 ALL RIGHTS RESERVED.
 TOUS DROITS RESERVES

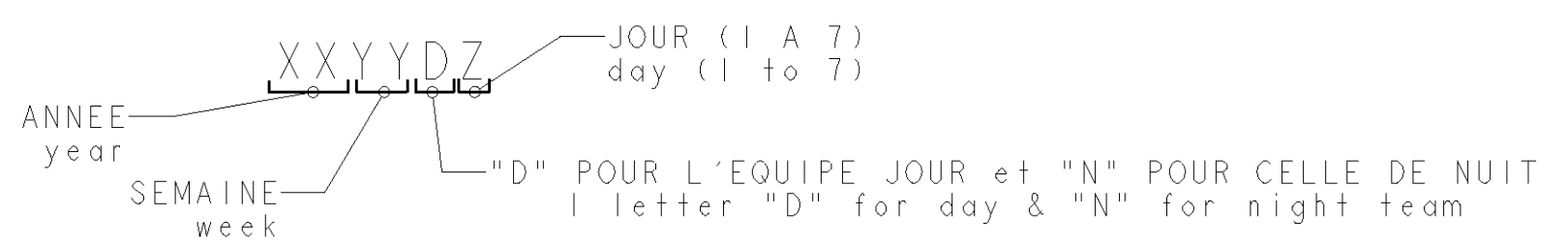
LOC	DIST	REVISIONS			
F	7	P	LTR	DATE	DWN DESS.
		K1	REVISED PER ECO-11-005150	19APR11	RK HMR



45.72	43.18	18	1-281696-8	*
43.18	40.64	17	1-281696-7	
38.10	35.56	15	1-281696-5	*
30.48	27.94	12	1-281696-2	*
25.40	22.86	10	1-281696-0	*
20.32	17.78	8	0-281696-8	*
17.78	15.24	7	0-281696-7	
15.24	12.70	6	0-281696-6	*
12.70	10.16	5	0-281696-5	*
10.16	7.62	4	0-281696-4	*
7.62	5.08	3	0-281696-3	*
5.08	2.54	2	0-281696-2	
C	A	Nb DE POS	PART NUMBER	
DIMENSIONS				

NOTES:

- CES EMBASES SONT PREVUES POUR ETRE ACCOUPLEES AVEC LES FICHES "HE1402" SIMPLE RANGEE.
(These headers are designed to be mated with "HE1402" connectors single row)
- LES REFERENCES SUIVIES D'UN * SONT LES VERSIONS NORMALISEES SELON LA NORME CEI 603-8
(The parts numbers followed by * are covered by the international standard IEC 603-8)
- REVETEMENT DES CONTACTS: ETAIN PUR SUR NICKEL
(Contacts plating: lead free tin over nickel)
- MATIERE PLASTIQUE: TERMO-PLASTIQUE HAUTE TEMPERATURE, UL-94V0, COULEUR BLEUE
(Plastic material: High temperature thermoplastic, UL-94V0, Blue color)
MATIERE DES CONTACTS: BRONZE PHOSPHOREUX
(Contacts material: phosphor bronze)
- MARQUAGE DU TYPE D'EMBASE (HE1302) A L'ENCRE NOIRE
(type marking (HE1302) with black ink)
- MARQUAGE DE LA DATE A L'ENCRE NOIRE :
(date code marking with black ink)



DIMENSIONS: mm		TOLERANCES UNLESS OTHERWISE SPECIFIED: TOLERANCES NON SPECIFIEES (SUIV NB DE DECIMALES) 0 PLC/DEC: ± 1 PLC/DEC: ±0.3 2 PLC/DEC: ± 3 PLC/DEC: ± 4 PLC/DEC: ± ANGLES ±°	DWN/DESSINE 22NOV2000 C. COMBEDOUZON CHK/VERIFIE 22NOV2000 I. CORRIOLU APVD/APROUVE 22NOV2000 Y. PETRONIN	STE TE Connectivity	
MATERIAL/MATIERE SEE/VOIR NOTE 4		FINISH/FINITION SEE/VOIR NOTE 3	PRODUCT SPEC SPEC. PRODUIT 108-15053	NAME/TITRE HEADERS HE13, SINGLE ROW, STRAIGHT	
CUSTOMER DRAWING /PLAN CLIENT		UNIQUEMENT POUR REFERENCE	WEIGHT/MASSE APPROX. -	SIZE/FORMAT A2	CAGE CODE 00779
SCALE/ECHELLE 5:1		SHEET/FEUILLE	DRAWING NO/No PLAN C-281696	RESTRICTED TO RESERVE A	
				REV K1	