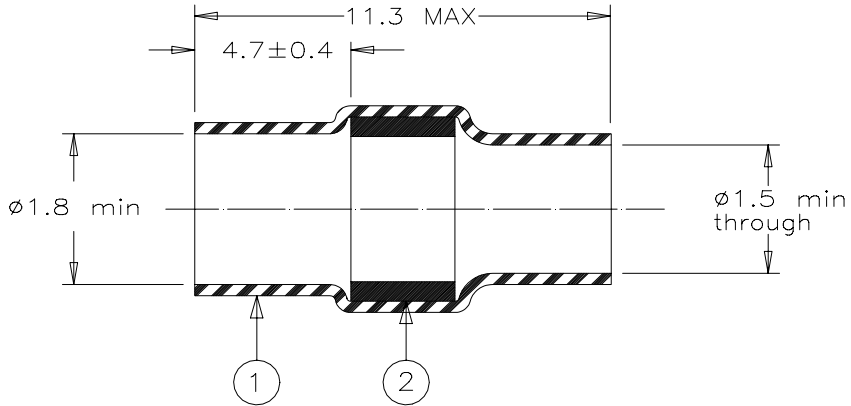


## SPECIFICATION CONTROL DRAWING



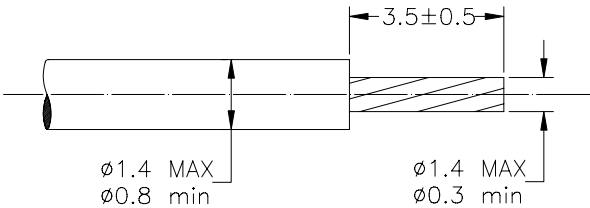
**MATERIAL**

1. INSULATION SLEEVE: Heat-shrinkable, radiation cross-linked modified polyvinylidene fluoride. Transparent blue.
2. SOLDER PREFORM WITH FLUX:
  - SOLDER: TYPE Pb36 per ANSI J-STD-006.
  - FLUX: TYPE ROL1 per ANSI J-STD-004.

**APPLICATION**

1. This controlled soldering device is designed for termination of a tin or silver plated copper stranded wire (AWG26 to AWG30) having an insulation rated for at least +125°C on to a pin (□ 0.5).
2. Temperature range: -55°C to +150°C.
3. For application tooling, consult your local RAYCHEM technical service.

For best results, prepare the cable as shown:



\*A trademark of Raychem Corporation.

<b>Raychem</b>		<b>THERMOFIT DEVICES</b>	Raychem Corporation 300 Constitution Drive Menlo Park, CA 94025 USA	TITLE: <b>SOLDERSLEEVE* DEVICE</b>			
UNLESS OTHERWISE SPECIFIED DIMENSIONS ARE IN MILLIMETERS.				DOCUMENT NO.: <b>W-040-04</b>			
TOLERANCES: 0.00 N/A 0.0 N/A 0 N/A	ANGLES: N/A  ROUGHNESS IN MICRON	Raychem reserves the right to amend this drawing at any time. Users should evaluate the suitability of the product for their application.		DCR NUMBER: D981083		REPLACES: W04004	
DRAWN BY: R. MAPALO	DATE: 06-29-98	REV.: D	DOC ISSUE: 1	SCALE: NONE	SIZE: A	SHEET: 1 of 1	

If this document is printed it becomes uncontrolled. Check for the latest revision