

Model No: BC11WG59-04
 Product Line: Tymphany

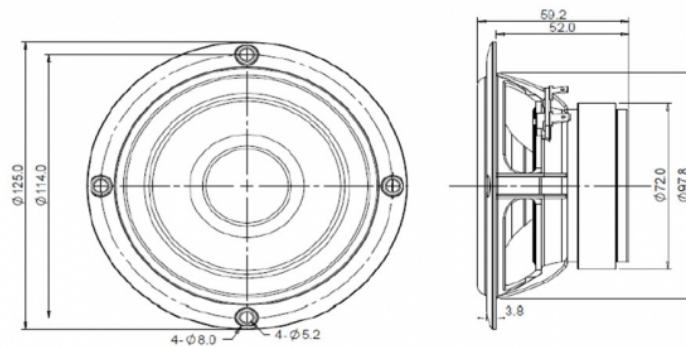
Rev: 1
 Last Update: 2017-04-21 12:39:42

Product Description

This is 4 inch 4 ohm, paper cone with rubber surround woofer, it have low resonant frequency performance, a high power voice coil suspended in a ferrite magnet motor, a plastic basket is designed to be a cost-effective high performance driver .



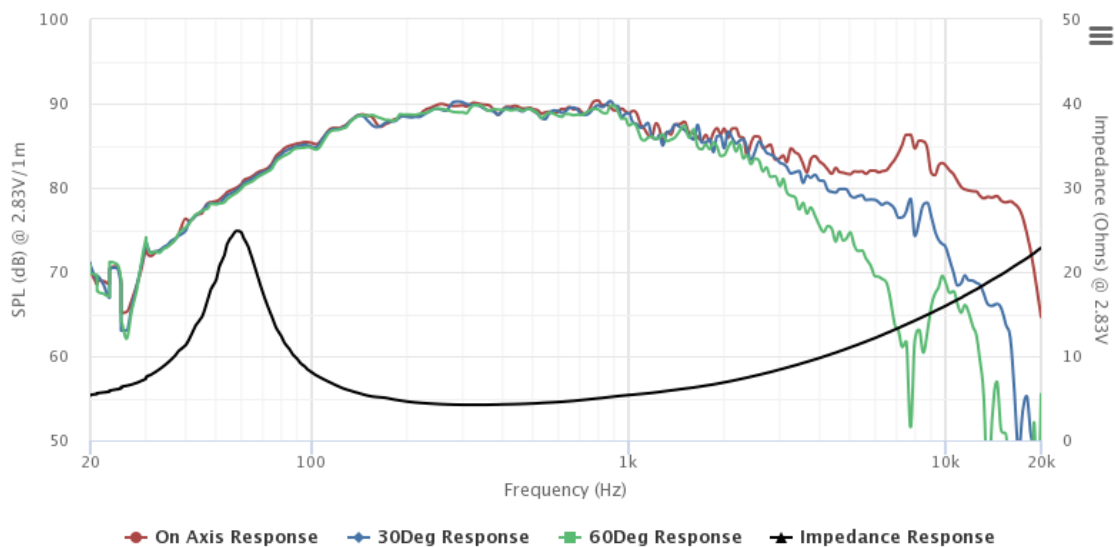
Mechanical Drawing



Specifications

DC Resistance	Revc	Ohms	3.18	5.0%	Energy Bandwidth Product	EBP	$(1/Qes) \cdot fs$	144.77
Minimum Impedance	Zmin	Ohms	4.23	7.5%	Moving Mass	Mms	g	6
Voice Coil Inductance	Le	mH	0.17		Suspension Compliance	Cms	um/N	1005.2
Resonant Frequency	Fs	Hz	64.6	15%	Effective Cone diameter	D	cm	8.7
Mechanical Q Factor	Qms		2.92		Effective Piston Area	Sd	cm ²	59.5
Electrical Q Factor	Qes		0.45		Effective Volume	Vas	L	4.99
Total Q Factor	Qts		0.39		Motor Force Factor	BL	Tm	4.17
Ratio Fs/Qts	F	Fs/Qts	166.07		Motor Efficiency Factor	β	$(T \cdot M^2) / \text{Ohms}$	5.5
Half Space Sensitivity @2.83V	db@2.83V/1M	dB	89.94	+/- 1.0db	Voice coil former Material	VCfm		ASV
Half Space Sensitivity @1W/1M	db@1W/1M	dB	87.2	+/- 1.0db	Voice coil inner diameter	VCd	mm	25.86
Gap Height	Gh	mm	4		Rated Noise Power	P	W	30
Maximum Linear Excursion	Xmax	mm	3.3		Test Spectrum Bandwidth		55Hz-8KHz	
Ferrofluid Type	FF		N/A		Driver Size	Inch	4 in	
Driver Mass	Kg		0.6					

Frequency and Impedance Response



Highcharts.com