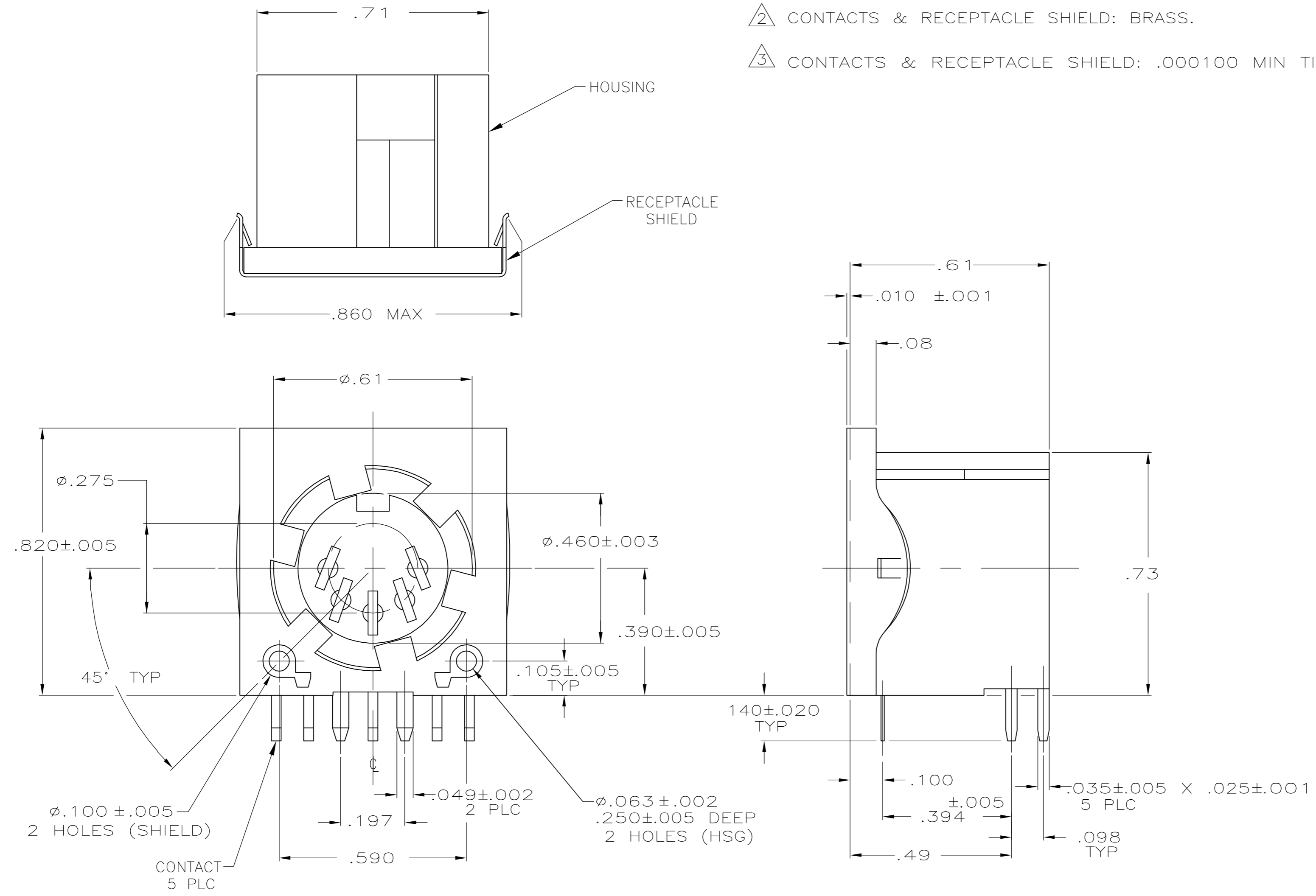


THIS DRAWING IS UNPUBLISHED. RELEASED FOR PUBLICATION
 © COPYRIGHT BY TYCO ELECTRONICS CORPORATION. ALL RIGHTS RESERVED.

LOC		DIST		REVISIONS			
P	LTR	DESCRIPTION		DATE	DWN	APVD	
GP	00	01		REVISED PER ECO-07-008008	10APR07	JDP/CWR	

- ① HOUSING: NYLON, GLASS-FILLED, UL 94V-0 RATED, BLACK.
- ② CONTACTS & RECEPTACLE SHIELD: BRASS.
- ③ CONTACTS & RECEPTACLE SHIELD: .000100 MIN TIN OVER .000050 MIN NICKEL.



THIS DRAWING IS A CONTROLLED DOCUMENT.		DWN	L. VARELA - DOCK5	11-12-04
DIMENSIONS: mm [INCHES]		CHK	C. ROHDE	11-12-04
TOLERANCES UNLESS OTHERWISE SPECIFIED:		APVD	M. WALMSLEY	11-12-04
0 PLC	± -	PRODUCT SPEC	108-10047	
1 PLC	± -	APPLICATION SPEC	114-2105	
2 PLC	± .01	WEIGHT	-	
3 PLC	± .010	CUSTOMER DRAWING		
4 PLC	± -	SCALE	4:1	
ANGLES	± -	SHEET	1 of 1	
FINISH	③	REV	01	

TUBE	5520842-2
GANG OF TUBES	5520842-1
PACKAGING TYPE	PART NO
Tyco Electronics Corporation Harrisburg, PA 17105-3608	
NAME	
CIRCULAR DIN SHIELDED RECEPTACLE, 5 POSITION	
SIZE	A2
CAGE CODE	00779
DRAWING NO	C=5520842
RESTRICTED TO	-

5520842