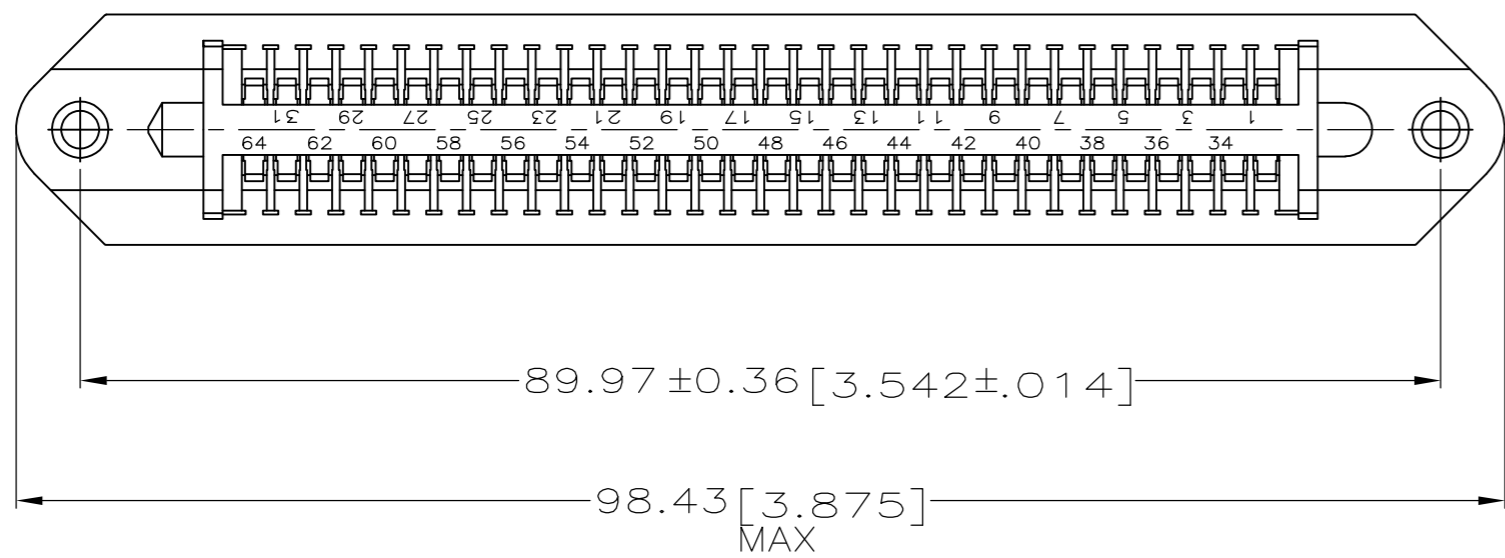
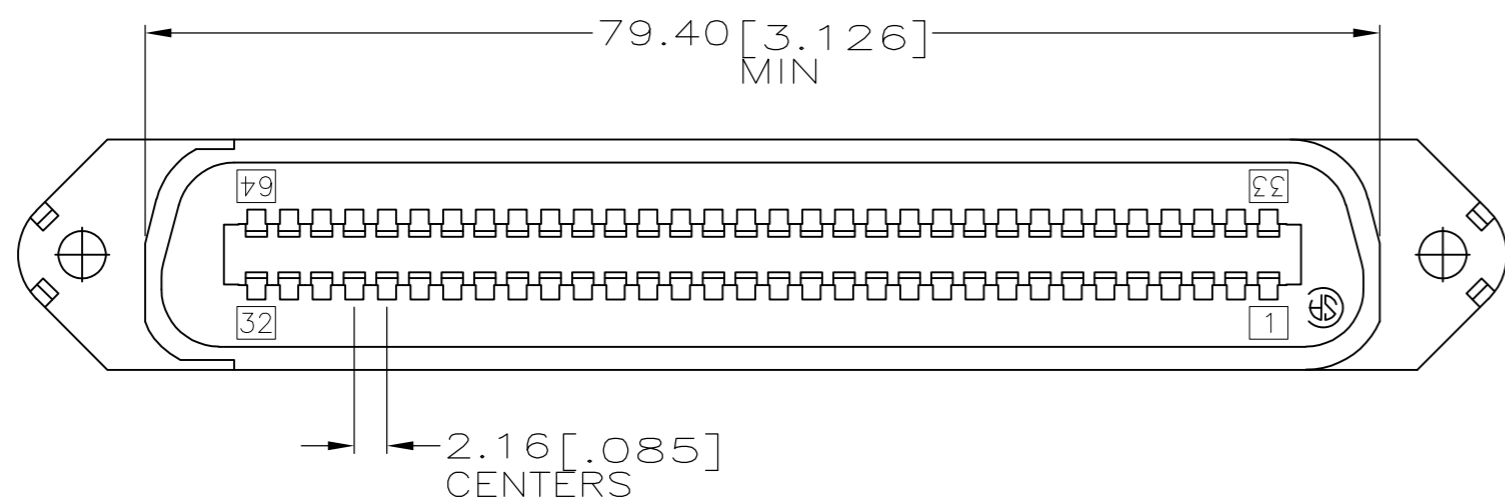
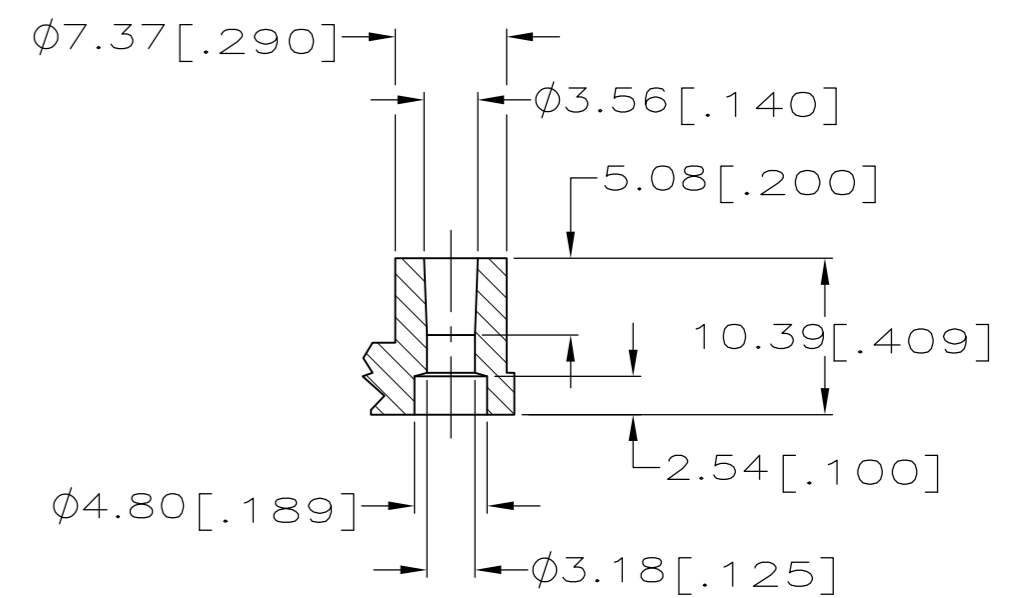
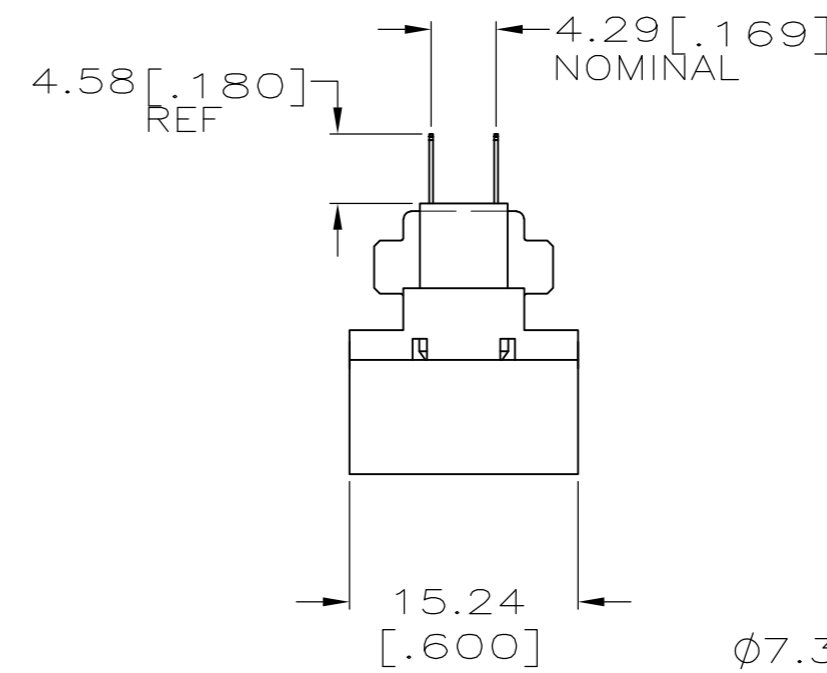
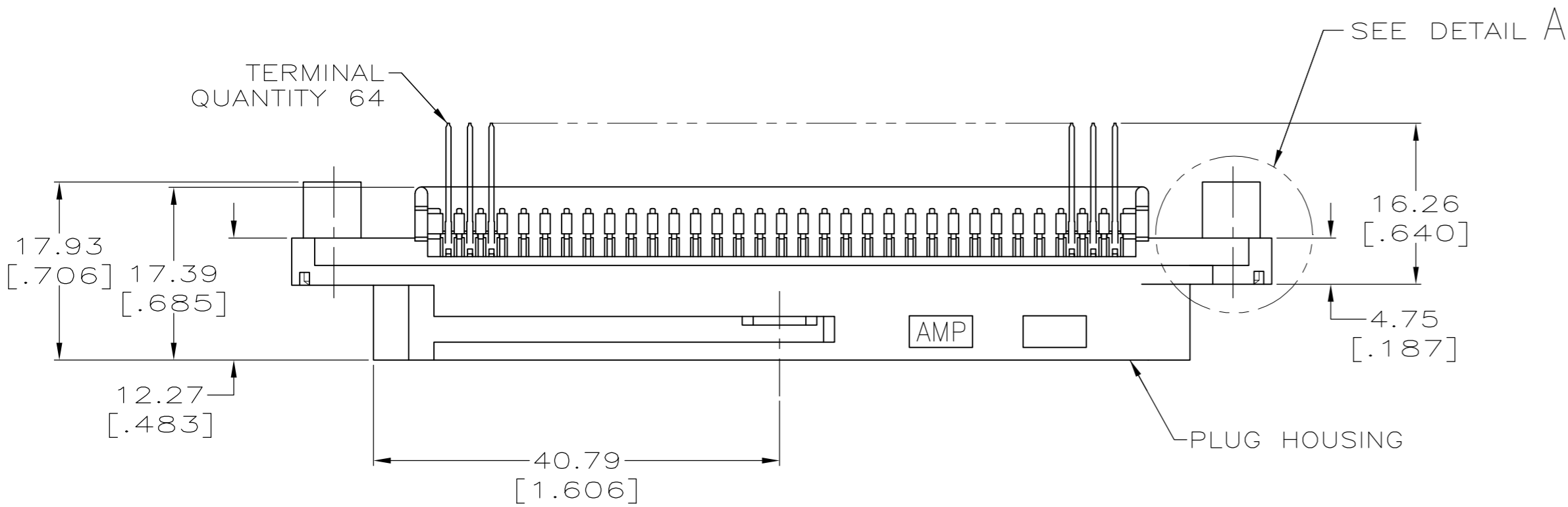


THIS DRAWING IS UNPUBLISHED. RELEASED FOR PUBLICATION
 © COPYRIGHT BY TYCO ELECTRONICS CORPORATION. ALL RIGHTS RESERVED.

LOC		DIST		REVISIONS			
P	LTR	DESCRIPTION		DATE	DWN	APVD	
GP	00	B		REVISED PER ECO-08-007327	22JUL08	BM WM	



1. THE CONTACT SURFACES OF THE TERMINALS ARE COATED WITH LUBRICANT.
2. ALL DIMENSIONS SHOWN ARE REFERENCE ONLY UNLESS OTHERWISE SPECIFIED.
3. MATERIAL: HOUSING - THERMOPLASTIC, BLACK. TERMINAL - PHOS BRONZE PLATED WITH EITHER 0.76µm [.000030] MINIMUM GOLD PLATE OR GOLD FLASH OVER PALLADIUM NICKEL PLATE, 0.76µm [.000030] MINIMUM TOTAL ON MATING SURFACE. 3.05µm [.000120] MINIMUM TIN PLATE ON TAILS OVER 1.27µm [.000050] MINIMUM NICKEL UNDERPLATE OVER ENTIRE TERMINAL.



DETAIL A

5552243-1
 PART NUMBER

THIS DRAWING IS A CONTROLLED DOCUMENT.		DWN B. LATTUCA 12AUG05	Tyco Electronics Corporation Harrisburg, PA 17105-3608															
DIMENSIONS: mm [INCHES]		CHK W. MILLHIMES 12AUG05	NAME M. WALMSLEY															
TOLERANCES UNLESS OTHERWISE SPECIFIED:		APVD M. WALMSLEY 12AUG05	PRODUCT SPEC															
<table border="0"> <tr><td>0 PLC</td><td>± -</td></tr> <tr><td>1 PLC</td><td>± -</td></tr> <tr><td>2 PLC</td><td>± -</td></tr> <tr><td>3 PLC</td><td>± -</td></tr> <tr><td>4 PLC</td><td>± -</td></tr> <tr><td>ANGLES</td><td>± -</td></tr> <tr><td>FINISH</td><td>± -</td></tr> </table>		0 PLC	± -	1 PLC	± -	2 PLC	± -	3 PLC	± -	4 PLC	± -	ANGLES	± -	FINISH	± -	APPLICATION SPEC	PLUG ASSEMBLY, 64 POSITION, VERTICAL MOUNTING (CHAMP-LOK WITH STANDOFFS)	
0 PLC	± -																	
1 PLC	± -																	
2 PLC	± -																	
3 PLC	± -																	
4 PLC	± -																	
ANGLES	± -																	
FINISH	± -																	
MATERIAL		WEIGHT	SIZE A2	RESTRICTED TO														
FINISH		CUSTOMER DRAWING	CAGE CODE 00779	DRAWING NO 5552243														
SCALE 2:1		SHEET 1 of 1		REV B														