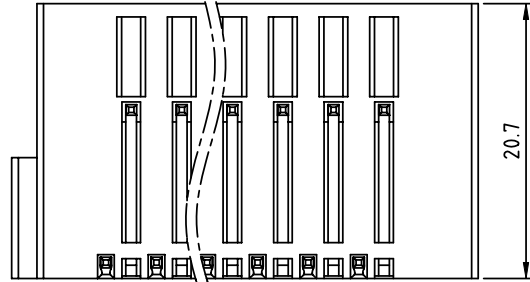
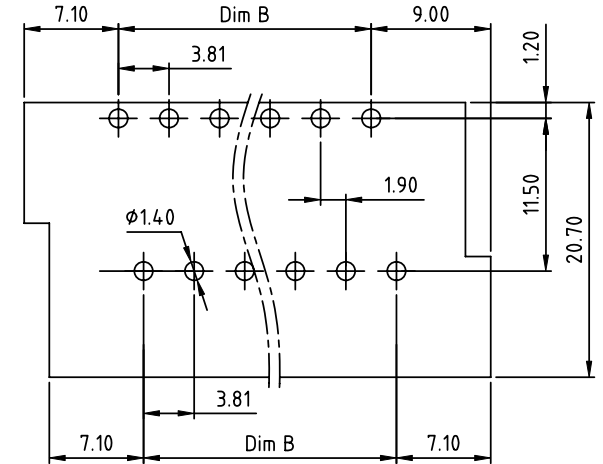


PRODUCT NUMBER	PITCH
VFxx32x100J0G	3.81 mm

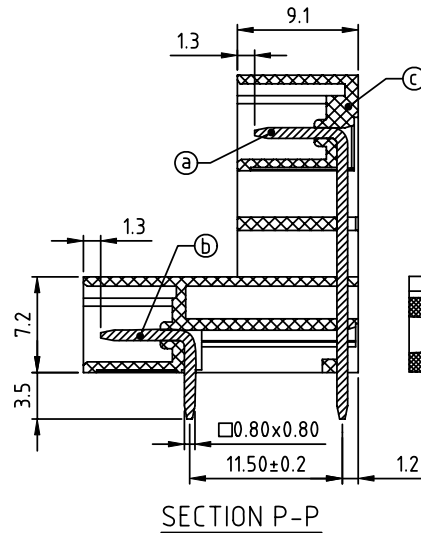
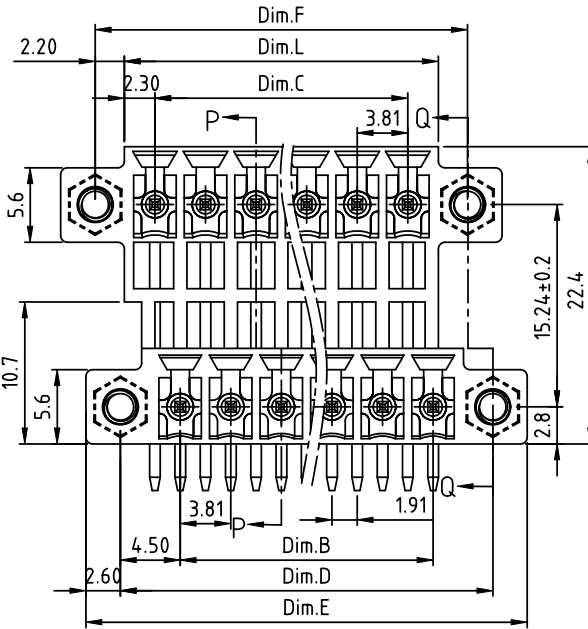


PART NO.: VF xx 3 2 x 1 00J0 G

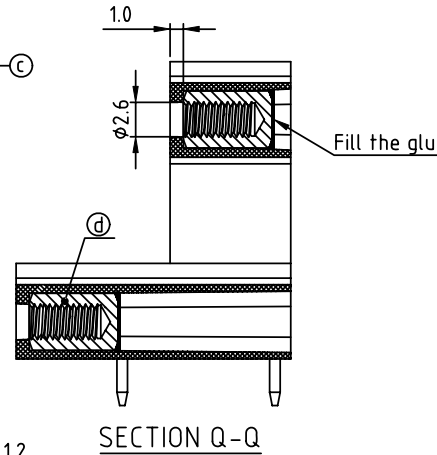
Solid block	0	Black (RAL9005)	RoHS compliant (lead<4%)
No. of poles	2	Red (RAL3001/D)	In copper Alloy
04 2x2poles	3	Orange(RAL2011/P)	
06 2x3poles	4	Yellow(RAL1018/A)	
... ..	5	Green(RAL6018/T)	
48 2x24poles	6	Blue (RAL5015/A)	
	8	Grey(RAL7035/D)	
	9	White(RAL1102)	
	C	Green(RAL6018/U)	



RECOMMENDED P.C.B LAYOUT  
TOP VIEW



SECTION P-P



SECTION Q-Q

Material:

- Item (a) Long pin: Copper, Tin plated
- Item (b) Short pin: Copper, Tin plated
- Item (c) Terminal (housing): Thermoplastic (UL94V-0)
- Item (d) With flange nut: Brass, M2.5

Electrical cULus

- Voltage rating: 300VAC
- Current rating: 10A
- Withstanding Voltage: 1.6KV
- Operating temperature: -40°C to +115°C
- Soldering temperature: 260°C±5°C/5 Sec
- Safety Approval:

Dimension

Dim.L	(N/2-1) x 3.81+4.60
Dim.B	(N/2-1) x 3.81
Dim.C	(N/2-1) x 3.81
Dim.D	(N/2-1) x 3.81+9.00
Dim.E	(N/2-1) x 3.81+14.20
Dim.F	(N/2-1) x 3.81+9.00

N=Number of poles

Poles	Tolerance
2x2P-2x5P	±0.15
2x6P-2x10P	±0.20
2x11P-2x13P	±0.25
2x14P-2x16P	±0.30

mat'l. code	surface ASME Y14.5	tolerance ASME Y14.5	projection	product family
ltr	ecn no	dr	date	TERMINAL BLOCK
				title
				TERMINAL BLOCK
				PLUGGABLE SOCKET, WITH FLANGE, RIGHT ANGLE
				scale
				dwg no
				VFxx32x100J0G
				sheet 1 of 1
				size
				A4
				type
				CUSTOMER Drawing
sheet index	revision	A		
	sheet	1		