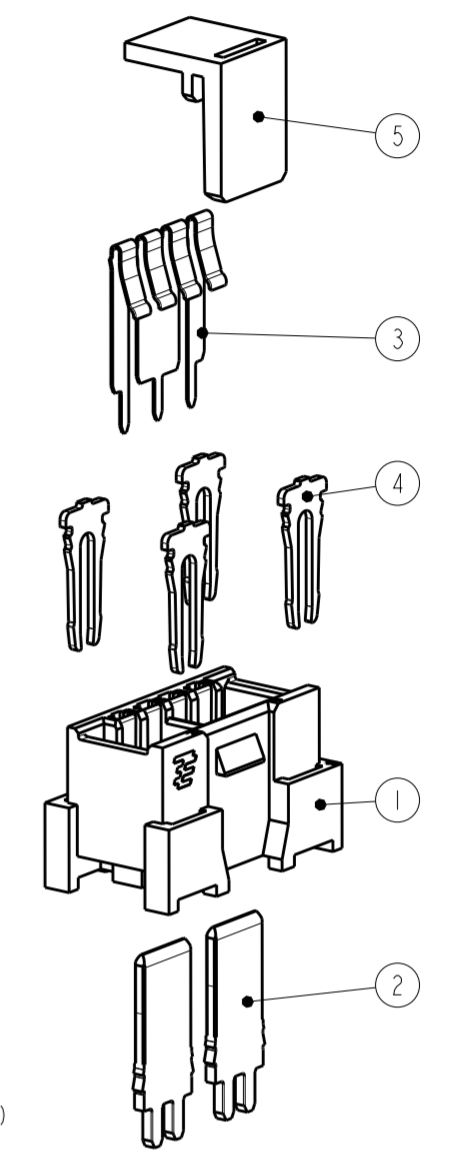
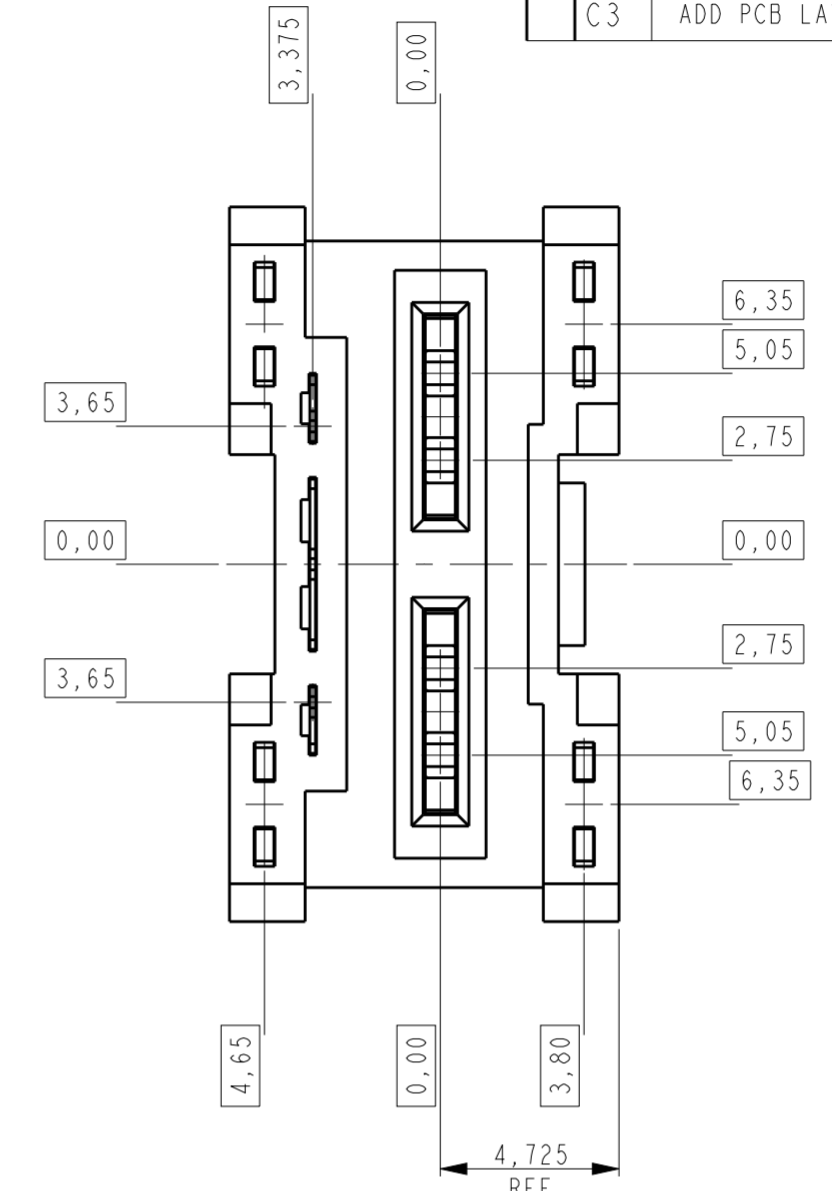
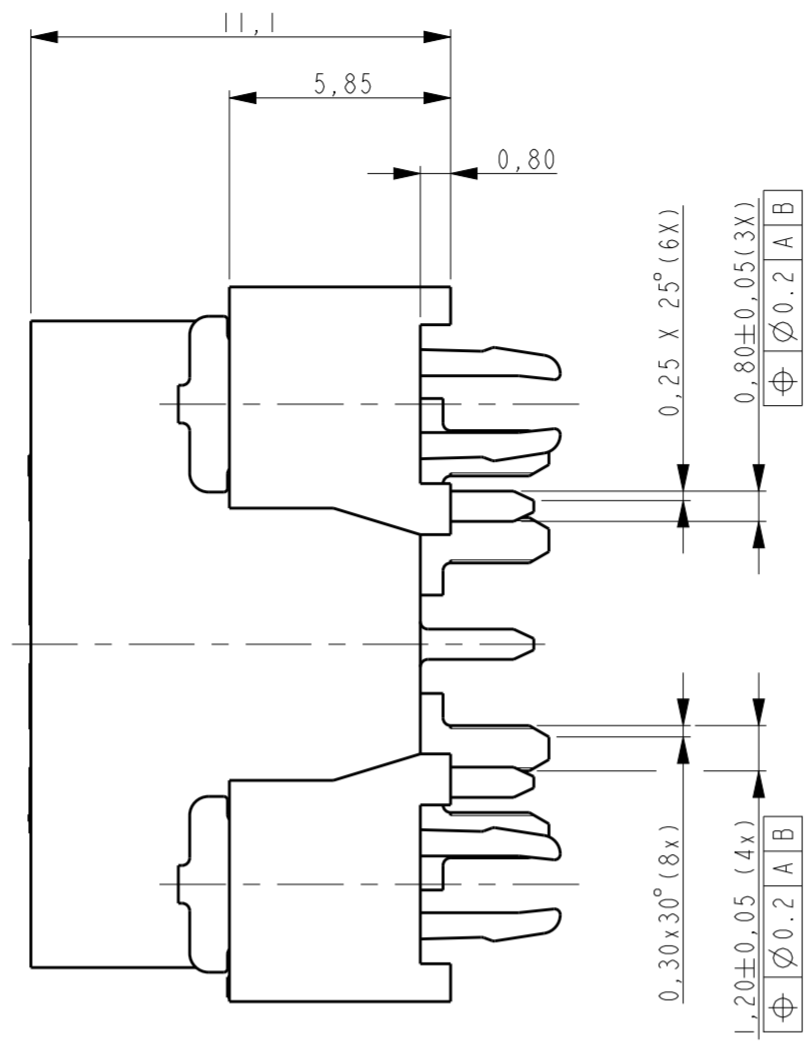
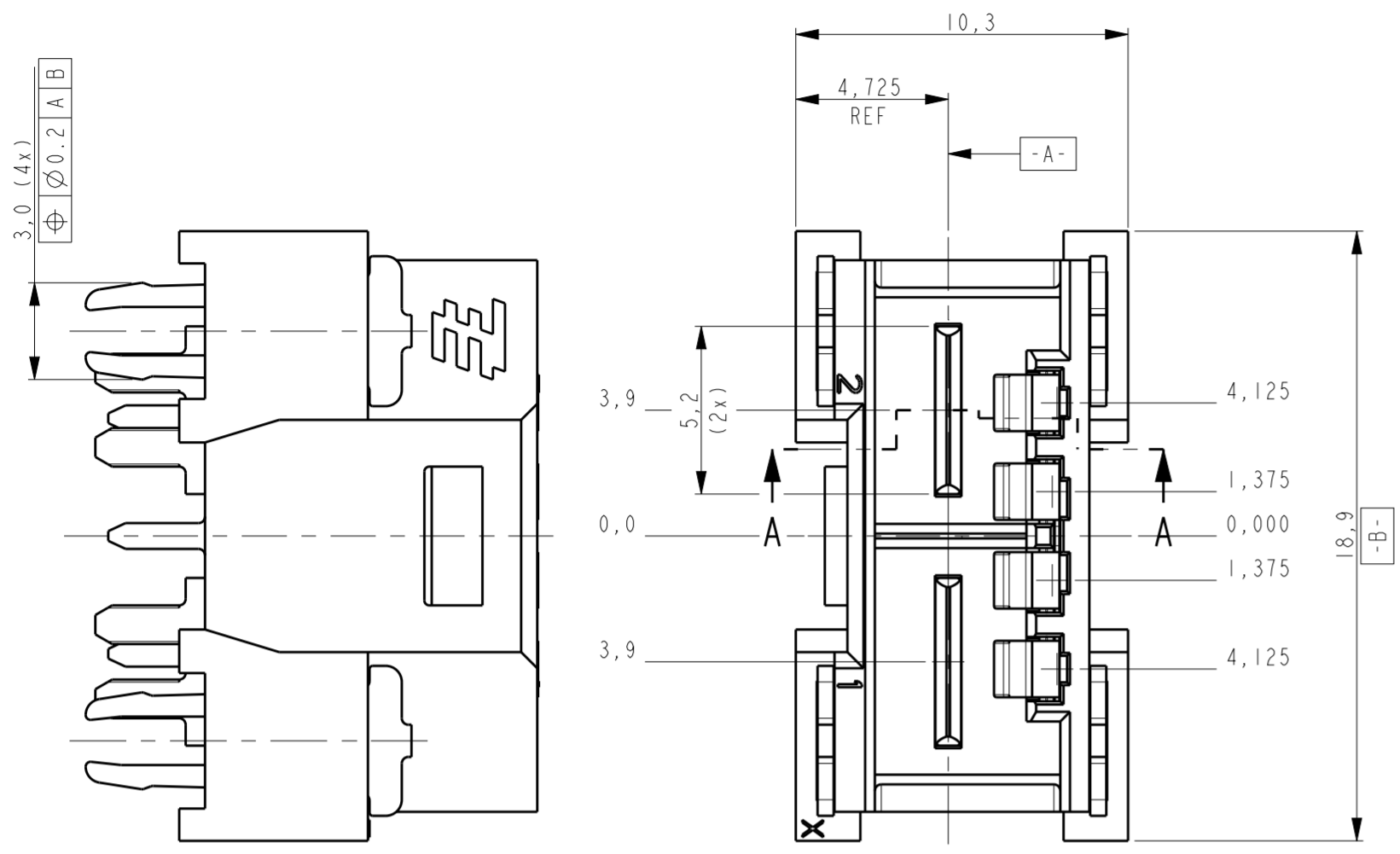
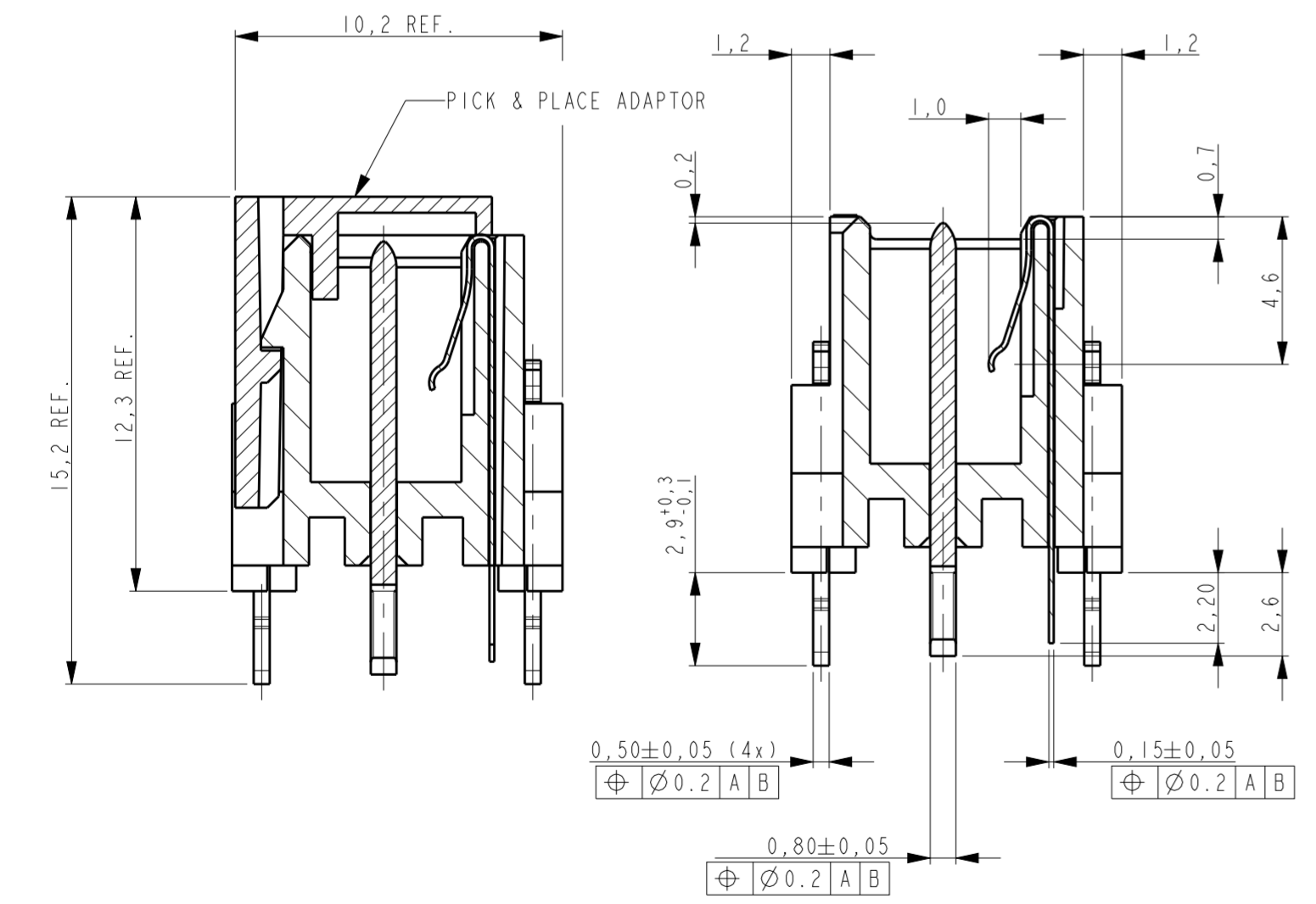


THIS DRAWING IS UNPUBLISHED. RELEASED FOR PUBLICATION
 © COPYRIGHT - TE CONNECTIVITY ALL RIGHTS RESERVED.

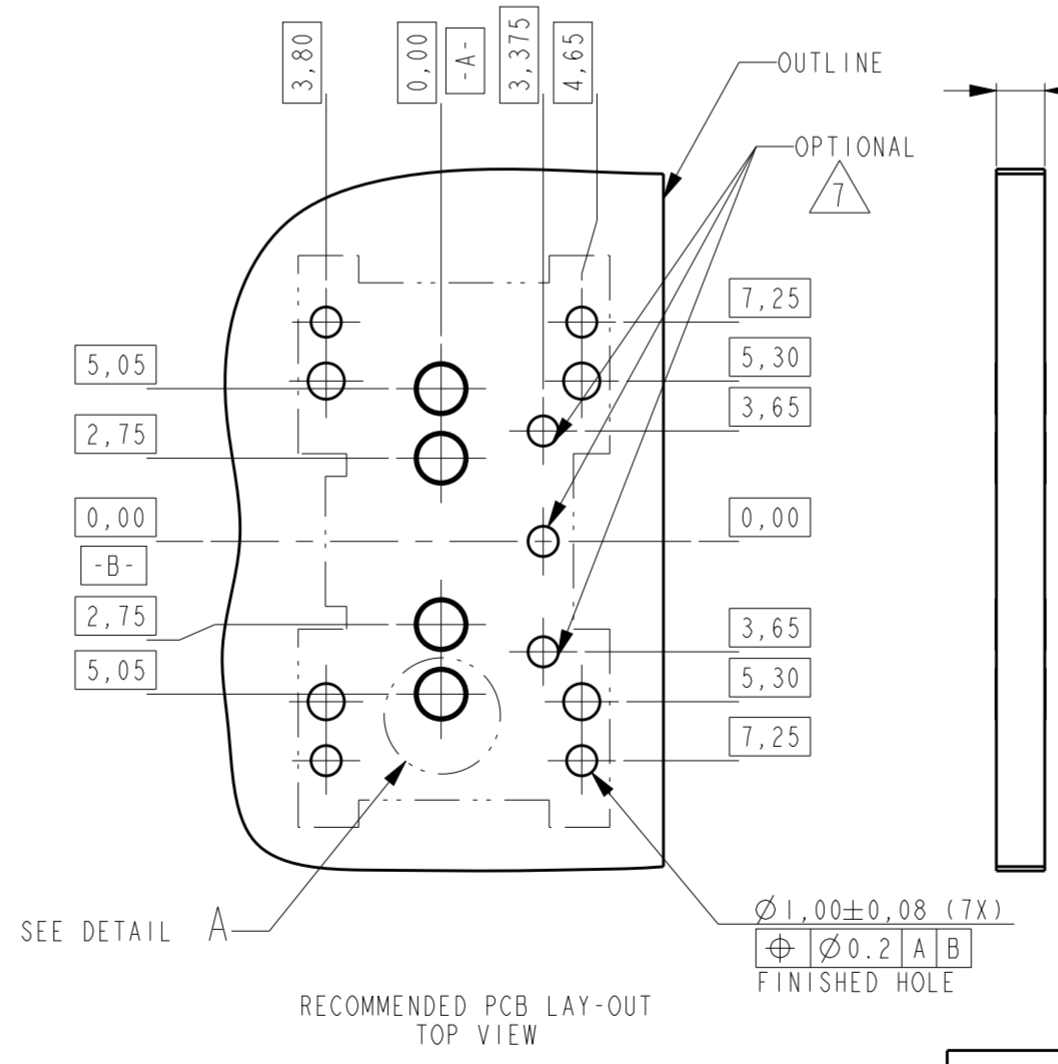
| LOC | | DIST | | REVISIONS | | | |
|-----|-----|-----------------------|-----------|-----------|------|--|--|
| P | LTR | DESCRIPTION | DATE | DWN | APVD | | |
| C | | REV PER ECR-16-008504 | 20JUN2016 | OL | SZ | | |
| C1 | | REV PER ECO-16-013438 | 03JAN2017 | WY | SZ | | |
| C2 | | ADD NEW PART -7 | 20FEB2017 | OL | SZ | | |
| C3 | | ADD PCB LAYOUT FOR -7 | 24FEB2017 | OL | SZ | | |



PARTNUMBER 2042274-1 AS SHOWN



SECTION A-A



RECOMMENDED PCB LAY-OUT TOP VIEW

Ø 1.56±0.08
 Ø 0.2 A B
 FINISHED HOLE
 COPPER PLATE: 0.025 MIN (PER SURFACE)
 TIN PLATE: 0.008 MIN (PER SURFACE)

SOLDER TERMINATION AREA FOR POWER CONTACTS
 RECOMMENDED PRINTED CIRCUIT HOLE

DETAIL A
 SCALE 10:1

| ITEM NO. | DESCRIPTION | MATERIAL | FINISH | QTY | QTY | QTY | QTY |
|----------|--------------------|----------------|--|-----|-----|-----|-----|
| 5 | PICK&PLACE ADAPTOR | POLYAMIDE | NA | - | 1 | 1 | 1 |
| 4 | HOLD DOWN | DINI544 CK75 | 5,0 µm Sn MIN OVER 2,5 µm Ni MIN ALL OVER. | 4 | 4 | 4 | 4 |
| 3 | CONTACT DETECTION | SOPPER ALLOY | 0.8 µm Au MIN. IN CONTACT PLACE, Au FLASH IN SOLDER AREA OVER 1.27µm Ni MIN ALL OVER | 1 | 1 | - | 1 |
| 2 | CONTACT POWER TAB | COPPER ALLOY | 1.2µm Ni MIN. ALL OVER 0.8µm Au MIN AT MATING ZONE 0.1-0.15 µm Au AT SOLDER ZONE | - | 2 | - | - |
| 2 | CONTACT POWER TAB | COPPER ALLOY | 3,0 µm Ag MIN ALL OVER. | 2 | - | 2 | 2 |
| 1 | HOUSING | LCP GF UL94V-0 | NA | 1 | 1 | 1 | 1 |

| ITEM NO. | DESCRIPTION | QTY | QTY | QTY | QTY |
|-----------|----------------------------|-----|-----|-----|-----|
| 2042274-5 | WITHOUT ADAPTOR | - | 1 | 1 | 1 |
| 2042274-4 | WITH DETECTION CONTACTS | 1 | 1 | - | 1 |
| 2042274-2 | WITHOUT DETECTION CONTACTS | 2 | - | 2 | 2 |
| 2042274-1 | WITH DETECTION CONTACTS | 1 | 1 | 1 | 1 |

THIS DRAWING IS A CONTROLLED DOCUMENT.

DWN: J.VOS 22-Apr-08
 CHK: R.LOKKER 22-Apr-08
 APVD: R.V.D.SANDT

TE Connectivity

ELCON Mini, 2-position header vertical

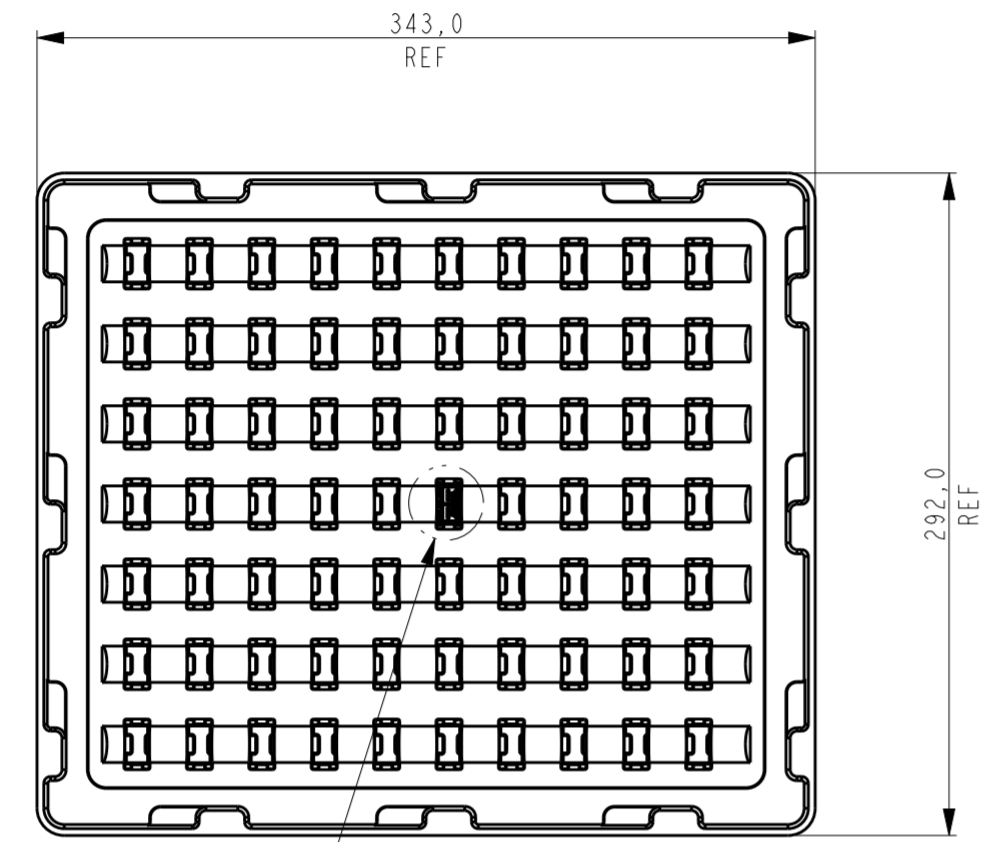
SIZE: A2 CAGE CODE: 00779 DRAWING NO: C-2042274 RESTRICTED TO: -

CUSTOMER DRAWING SCALE: 5:1 SHEET: 1 OF 3 REV: C3

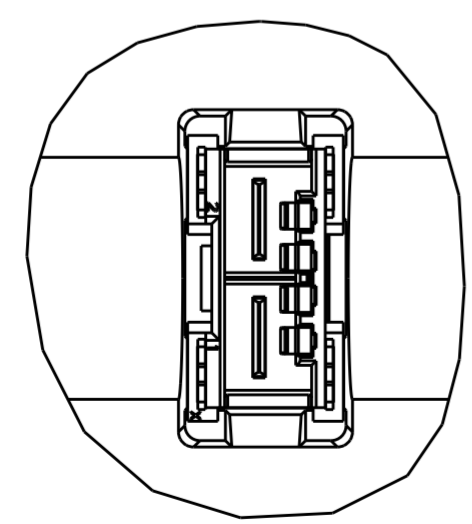
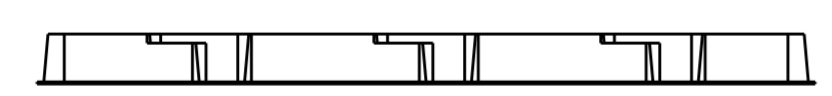
THIS DRAWING IS UNPUBLISHED. RELEASED FOR PUBLICATION
 © COPYRIGHT - TE CONNECTIVITY ALL RIGHTS RESERVED.

| LOC | | DIST | | REVISIONS | | | | |
|-----|-----|-------------|------|-----------|------|--|--|--|
| P | LTR | DESCRIPTION | DATE | DWN | APVD | | | |
| - | - | SEE SHEET 1 | - | - | - | | | |
| | | | | | | | | |
| | | | | | | | | |

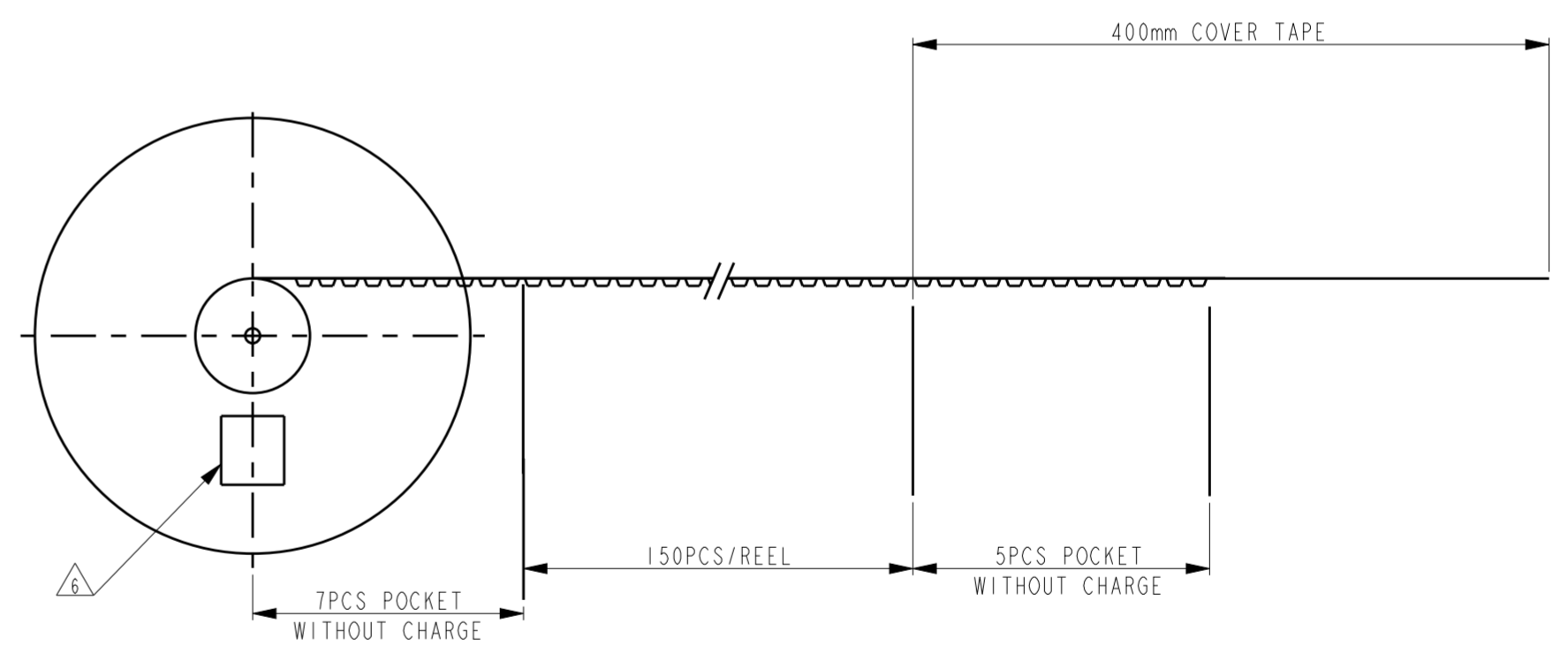
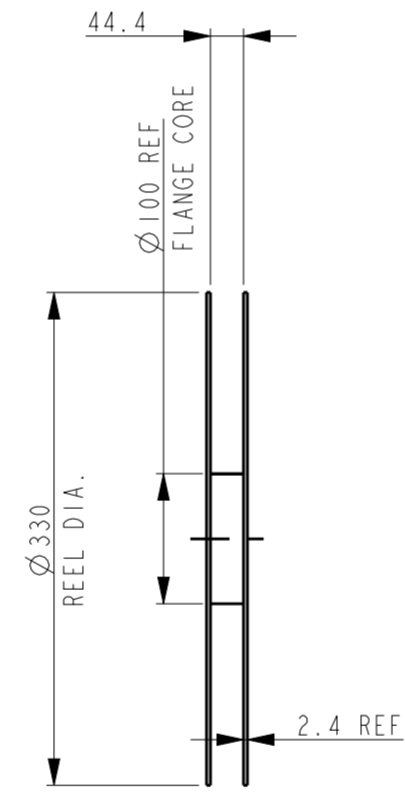
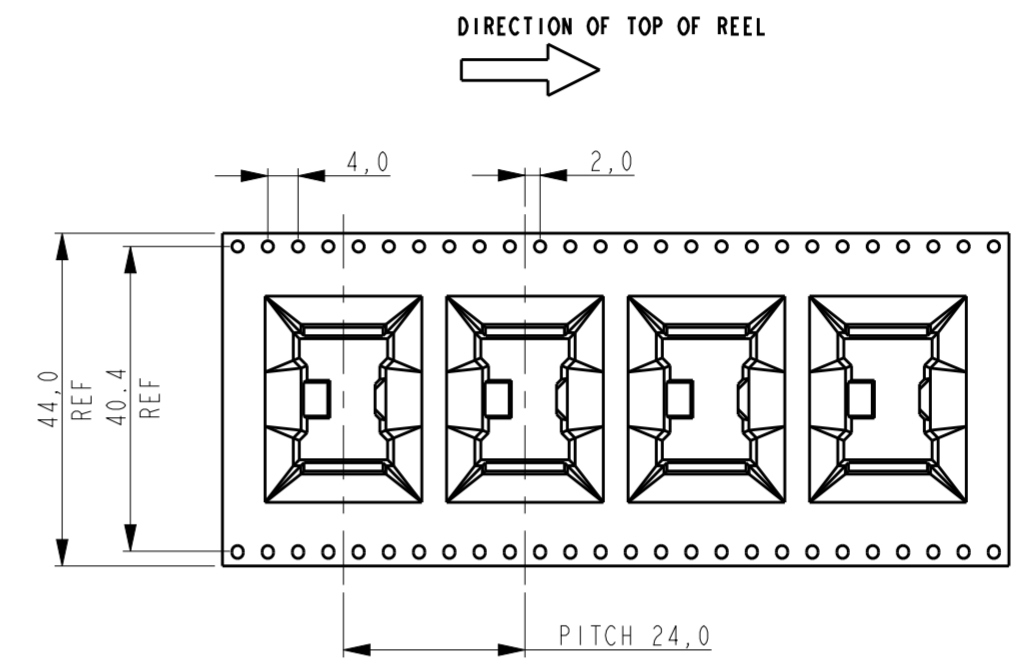
NOTES:
 1. TRAY (PN 1961242-1) PACKAGING IS ONLY FOR PN 2042274-5



SEE DETAIL B



DETAIL B

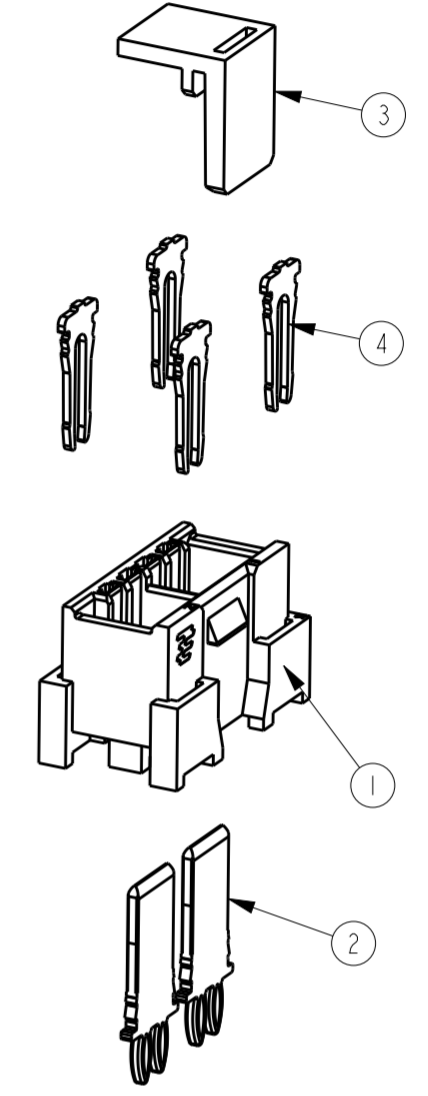
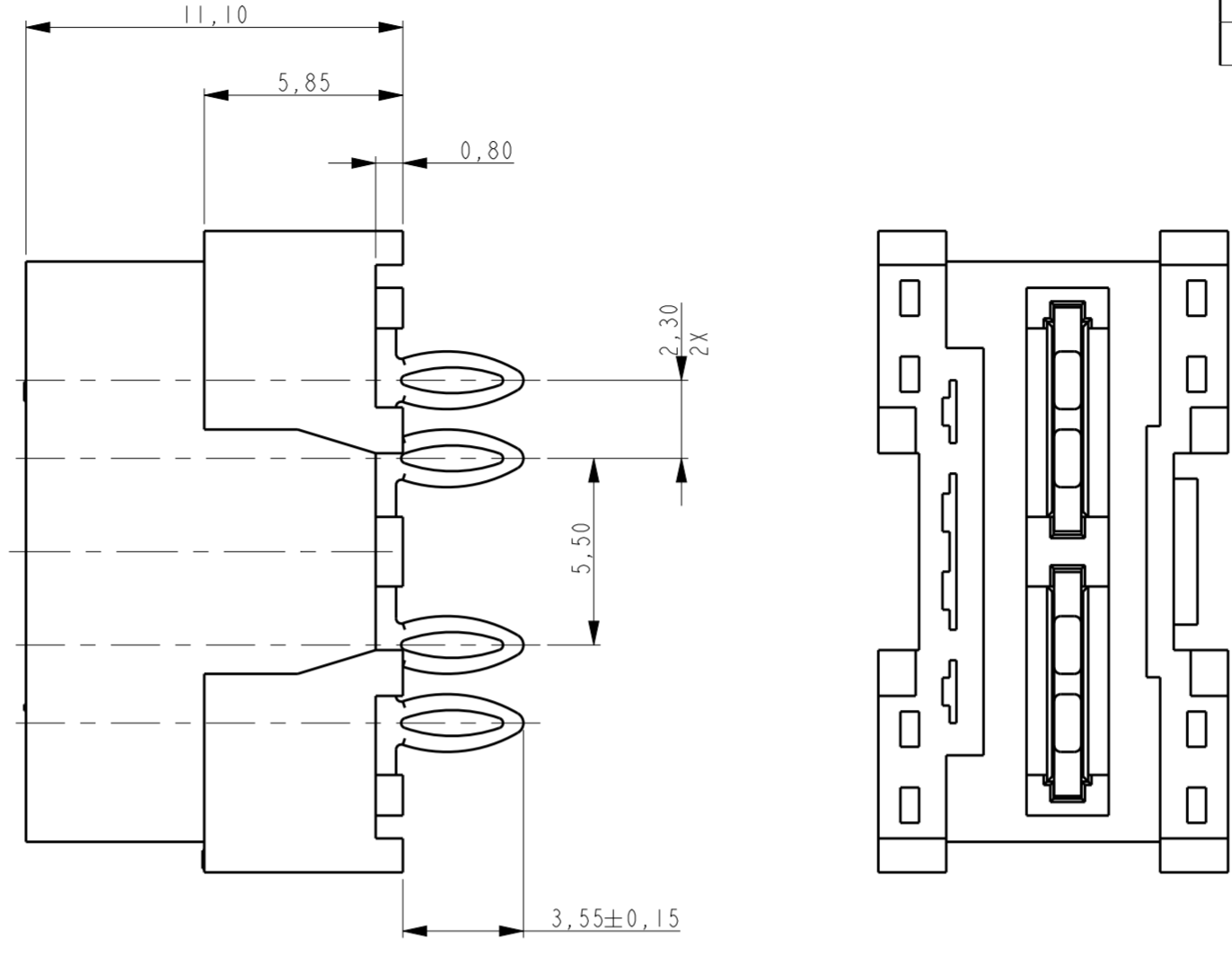
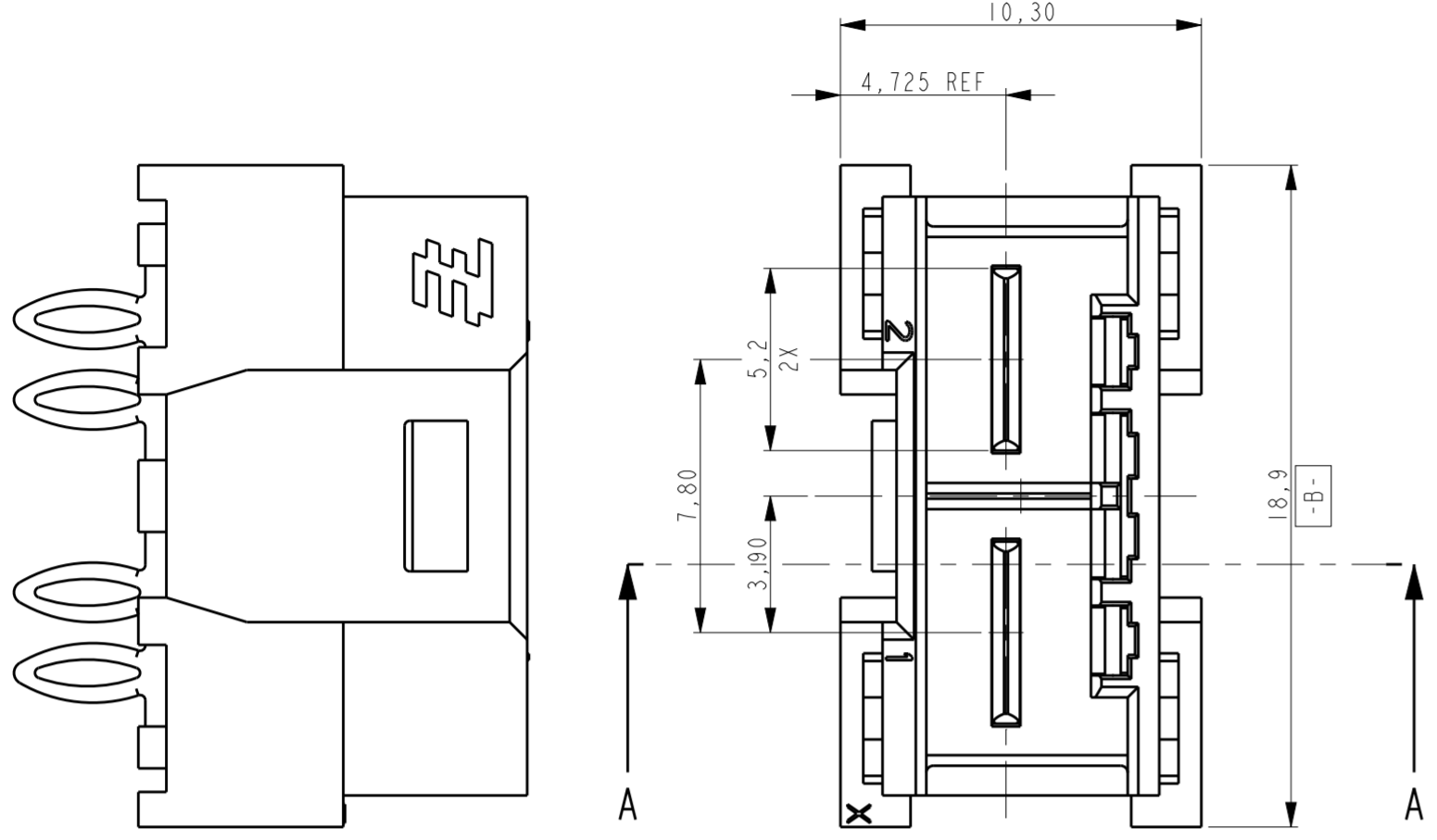


- NOTES:
- MATERIAL: BALCK POLYSTYRENE PLASTIC FOR CARRIER TAPE.
 - 10 SPROCKET HOLES PITCH CUMULATIVE TOLERANCE +/-0,20.
 - CARRIER CAMBER IS WITHIN 1 mm IN 250 mm.
 - ALL DIMENSIONS MEET EIA-481-C REQUIREMENTS.
 - THICKNESS: 0,50±0,05mm.
 - LABEL
 - OPTIONAL UNLESS CODING CONTACT IS REUIRED

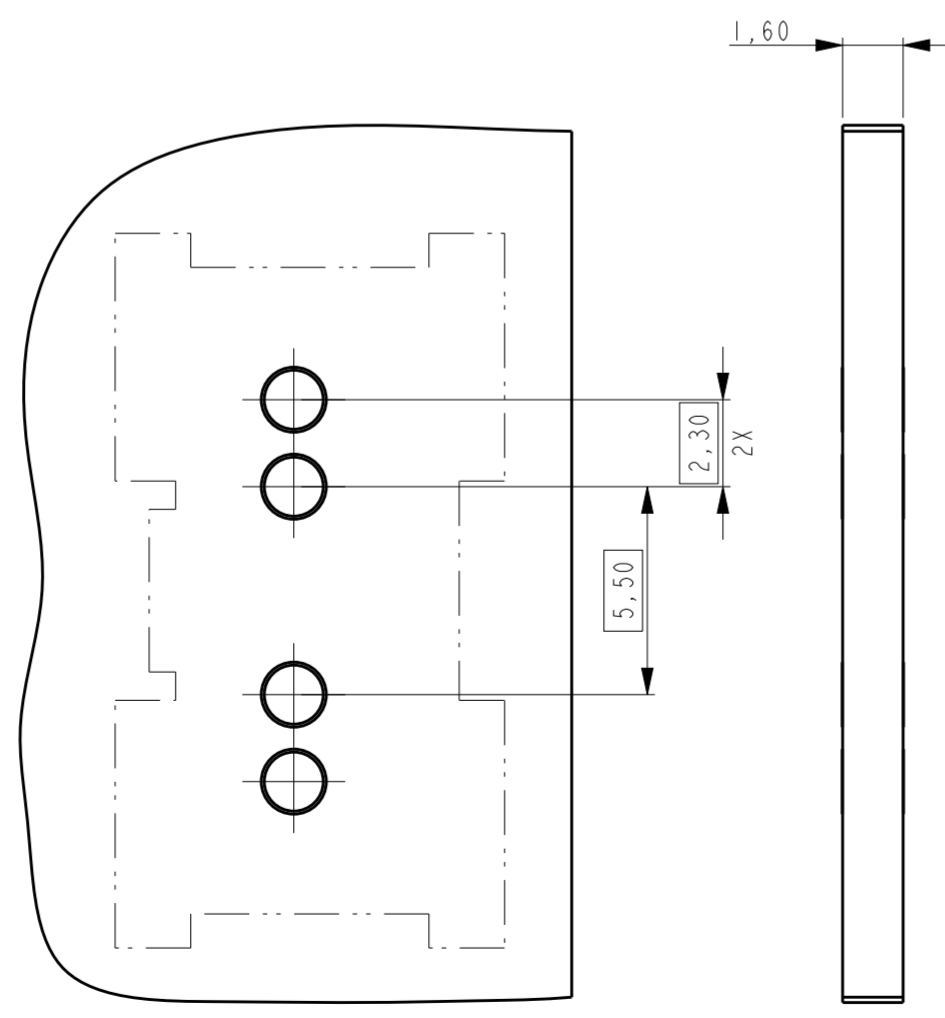
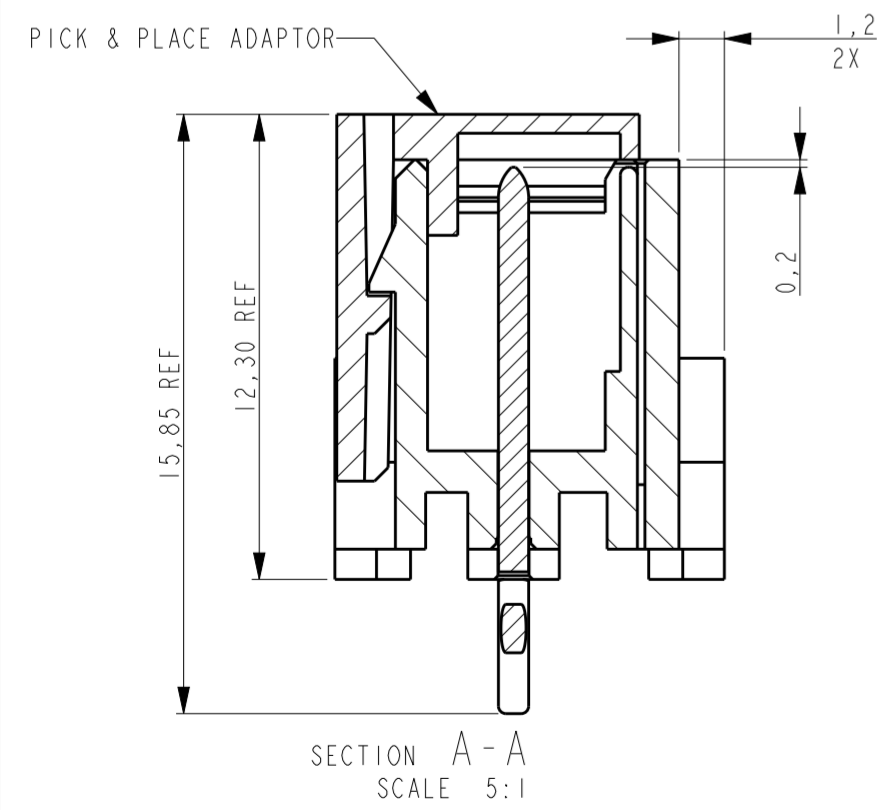
| | | | | |
|--|--|--------------------------------|--|-------------------------|
| THIS DRAWING IS A CONTROLLED DOCUMENT. | | DWN J.VOS 22-Apr-08 | TE Connectivity | |
| | | CHK R.LOKKER 22-Apr-08 | | |
| DIMENSIONS: mm | | APVD R.V.D.SANDT | NAME ELCON Mini, 2-position header vertical | |
| TOLERANCES UNLESS OTHERWISE SPECIFIED: | | PRODUCT SPEC 108-19346 | SIZE A2 | |
| 0 PLC ±0,5 | | APPLICATION SPEC 114-19110 | CAGE CODE 00779 | DRAWING NO C-2042274 |
| 1 PLC ±0,1 | | WEIGHT - | RESTRICTED TO - | |
| 2 PLC ±0,1 | | SCALE 3:10 SHEET 2 OF 3 REV C3 | | |
| 3 PLC ±0,1 | | CUSTOMER DRAWING | | |
| 4 PLC ± | | | | |
| ANGLES ± | | | | |
| FINISH - | | | | |
| MATERIAL material_2 | | | | |
| finish_spec_2 | | | | |

THIS DRAWING IS UNPUBLISHED. RELEASED FOR PUBLICATION
 © COPYRIGHT - TE CONNECTIVITY ALL RIGHTS RESERVED.

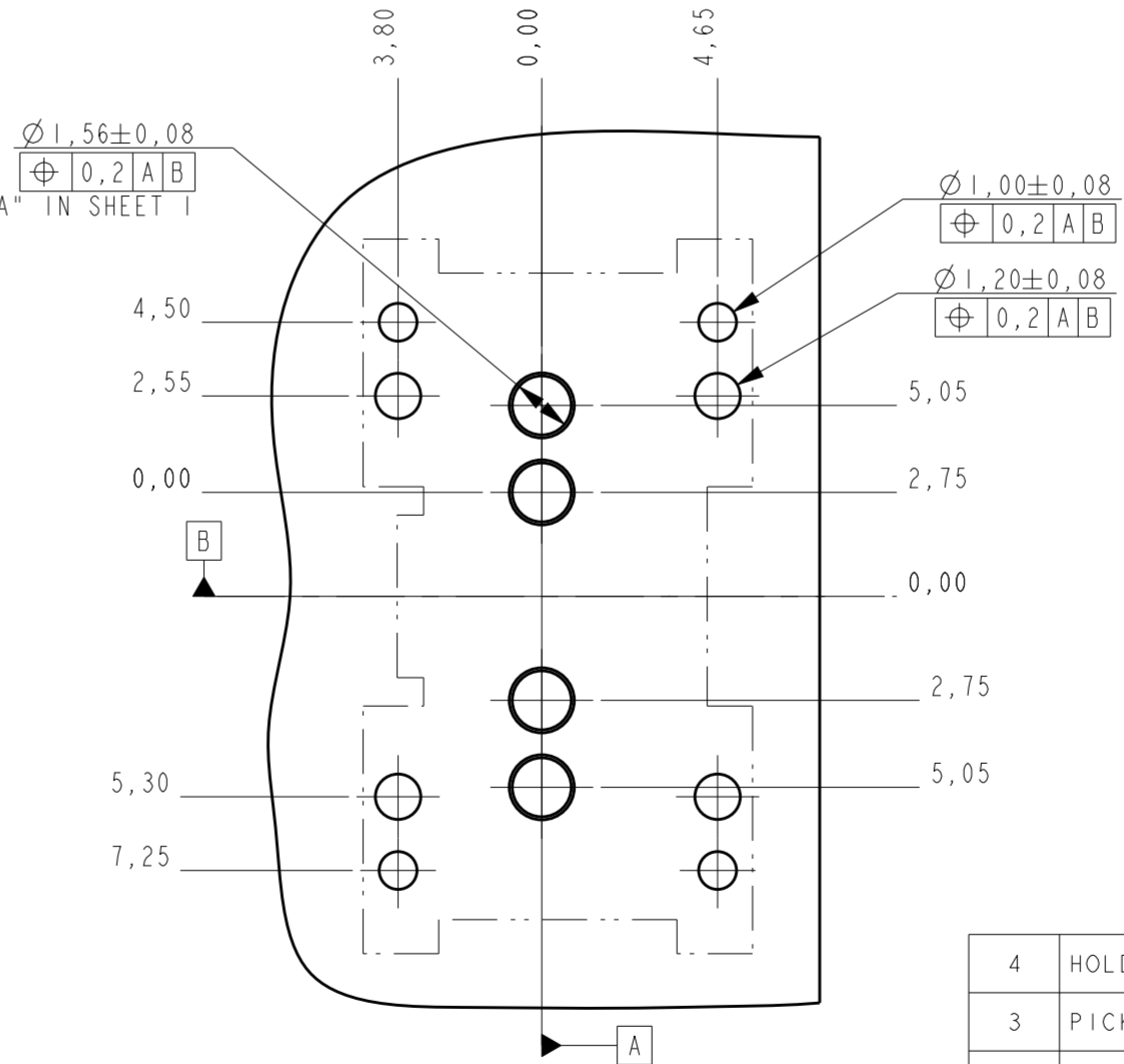
| LOC | | DIST | | REVISIONS | | | |
|-----|-----|-------------|------|-----------|------|--|--|
| P | LTR | DESCRIPTION | DATE | DWN | APVD | | |
| - | - | SEE SHEET 1 | - | - | - | | |



2042274-7 AS SHOWN



MORE INFORMATION SEE DETAIL "A" IN SHEET 1



| ITEM NO. | DESCRIPTION | MATERIAL | FINISH | QTY |
|----------|--------------------|----------------|--|-----|
| 4 | HOLD DOWN | DIN1544 CK75 | 5,0 μm Sn MIN OVER 2,5 μm Ni MIN ALL OVER. | 4 |
| 3 | PICK&PLACE ADAPTOR | POLYAMIDE | NA | 1 |
| 2 | CONTACT POWER TAB | COPPER ALLOY | 3,0 μm Ag MIN ALL OVER. | 2 |
| 1 | HOUSING | LCP GF UL94V-0 | NA | 1 |

THIS DRAWING IS A CONTROLLED DOCUMENT.

DWN: J.VOS 22-Apr-08
 CHK: R.LOKKER 22-Apr-08
 APVD: R.V.D.SANDT

TE Connectivity

ELCON Mini, 2-position header vertical

108-19346
 114-19110

material_2 finish_spec_2

CUSTOMER DRAWING

SCALE 3:1 SHEET 3 OF 3 REV C3