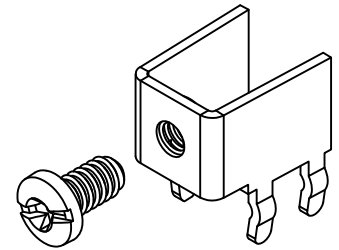
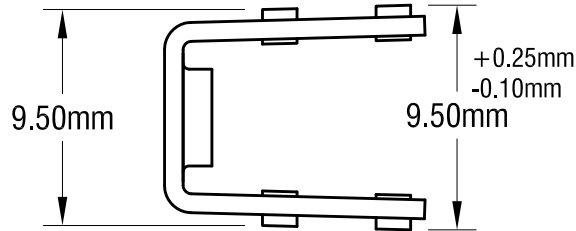
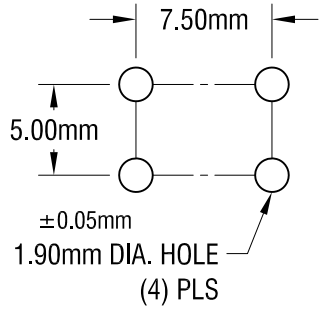
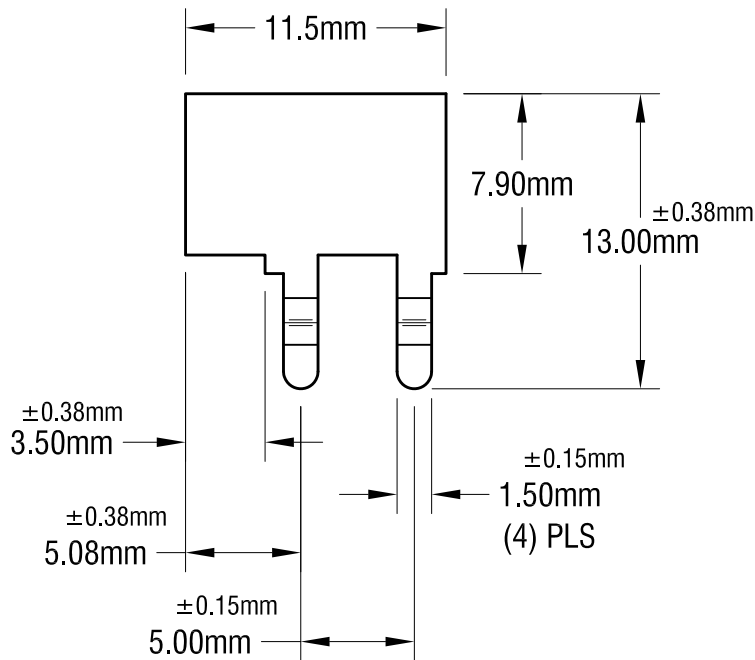
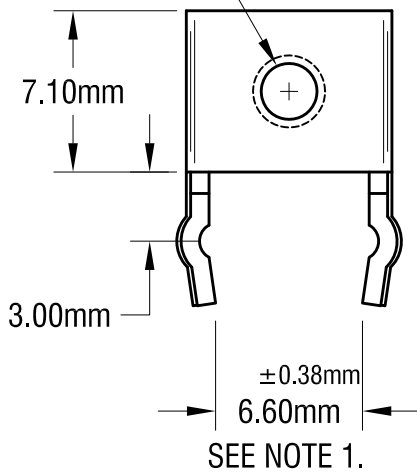


THIS DOCUMENT IS THE PROPERTY OF KEYSTONE ELECTRONICS CORP. AND SHALL NOT BE REPRODUCED, DISTRIBUTED OR USED AS A BASIS FOR MANUFACTURE WITHOUT PRIOR WRITTEN PERMISSION FROM KEYSTONE ELECTRONICS CORP.

MOUNTING DETAIL



M3 x 0.5
THREAD



NOTE:

1. TERMINAL:

MAT'L - 0.8mm TH'K BRASS, MATTE TIN PLATE

SCREW : ONE (1) M3 x 0.5 6.00mm L., SUPPLIED LOOSE.

MAT'L - BRASS, NICKEL PLATE

2. ALL DIMENSIONS ARE IN MILLIMETERS.

1.28.10	CHANGE AS PER ECN 10-008	E
11.18.08	CHANGE AS PER ECN 08-180	D
1.2.08	CHANGE AS PER ECN 08-003	C
DATE	DESCRIPTION	REV.

KEYSTONE ELECTRONICS CORP.			
www.keyelco.com • ASTORIA, N.Y. 11105-2017 • Tel (718) 956-8900			
PART NAME		PC METRIC SCREW TERMINAL	
MATERIAL		AS NOTED	
FINISH		DRN BY	DATE
AS NOTED		BOONE	4.18.01
		APP'D	SCALE
		LN	3X
TOLERANCES	INCH [MM]	CODE	DWG NO.
DECIMAL	± [± 0.25]	C	7689
ANGULAR	± 1°		
UNLESS OTHERWISE SPECIFIED			