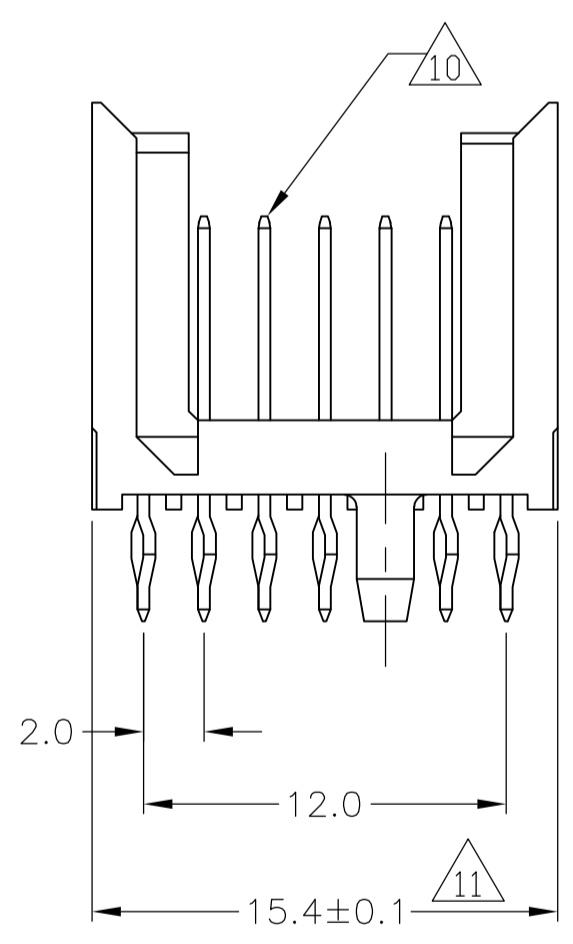
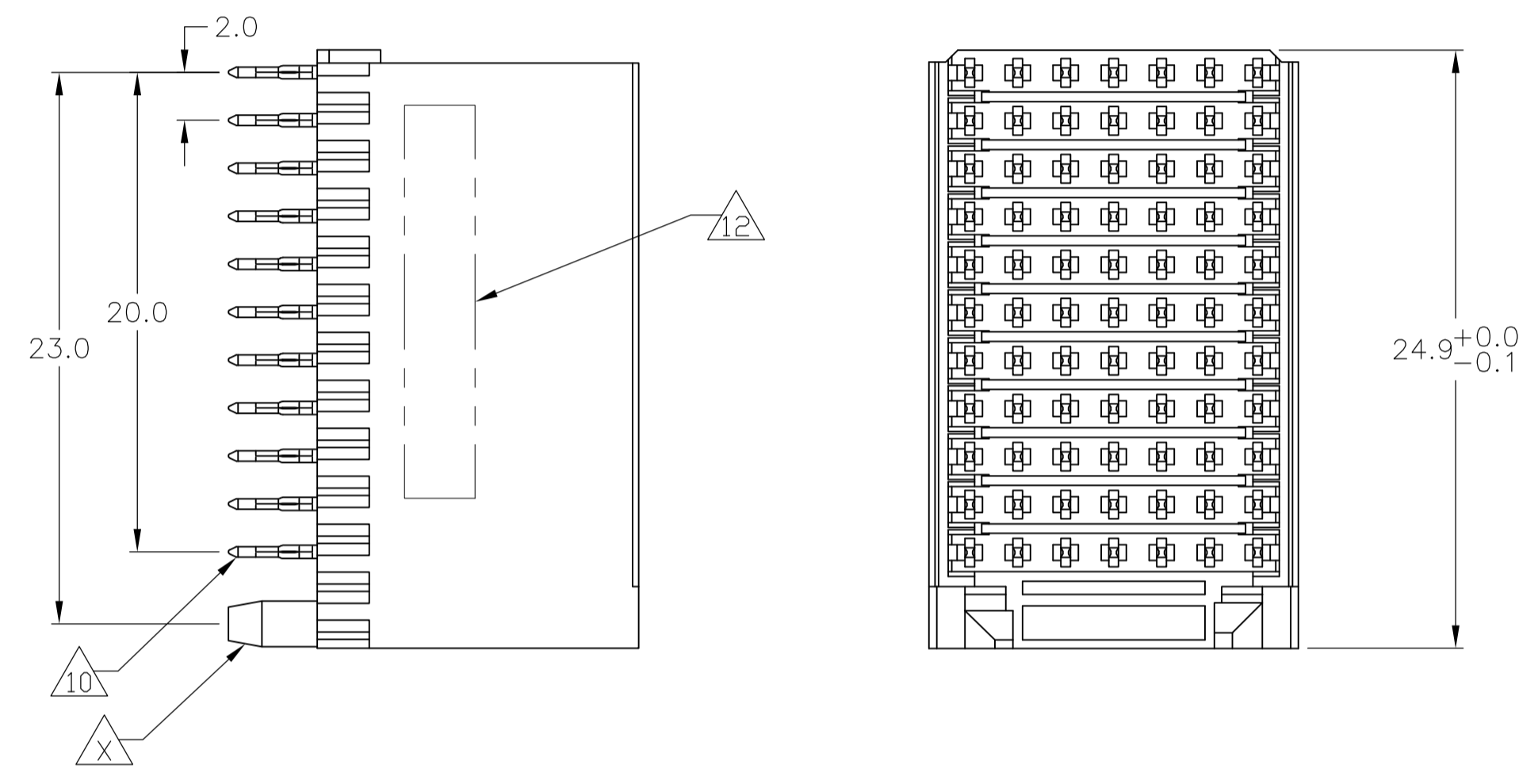


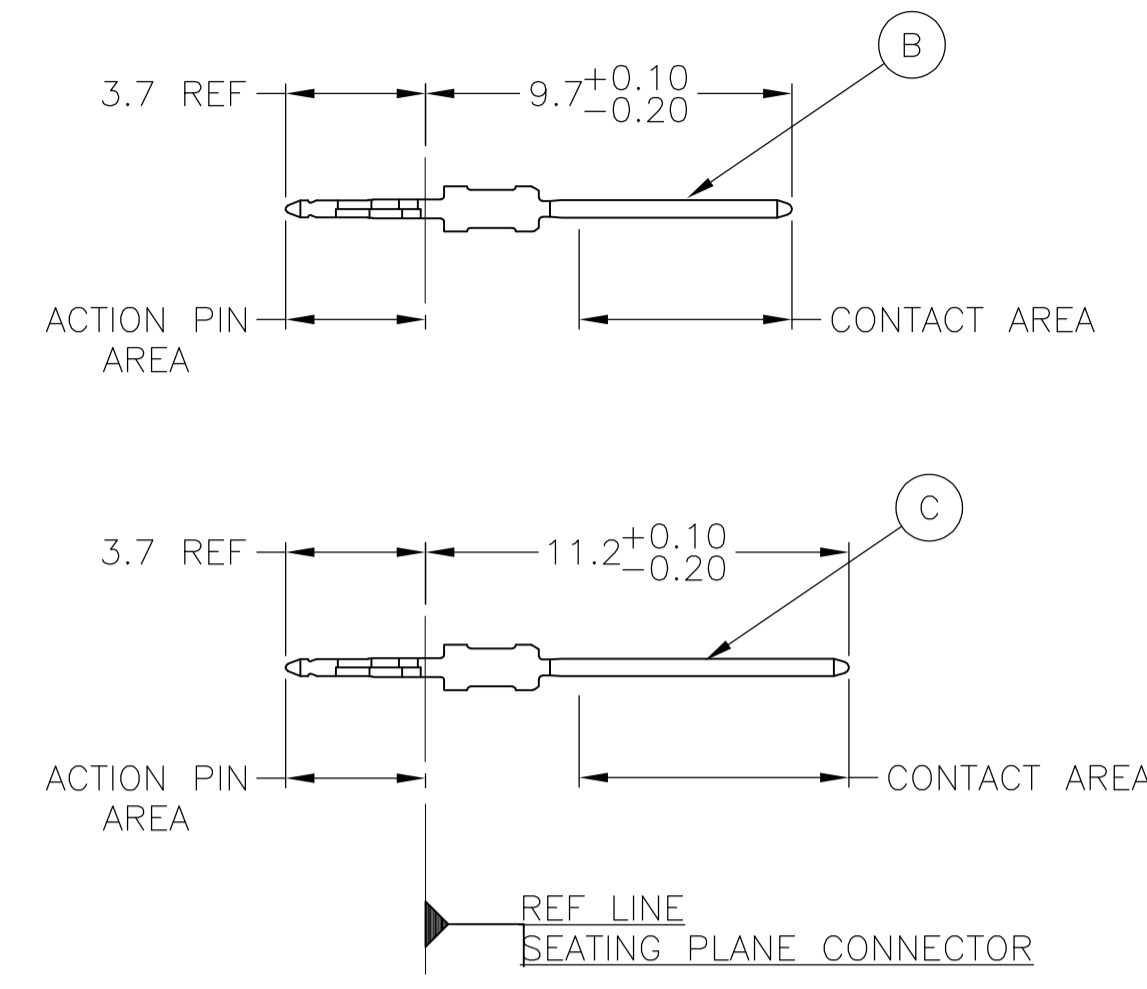
| LOC |    | DIST                      |           | REVISIONS |     |      |  |
|-----|----|---------------------------|-----------|-----------|-----|------|--|
| ES  | 00 | REV                       | DATE      | BY        | CHK | APPV |  |
| C   |    | REVISED PER ECR-10-008817 | 23APR2010 | SA.Y      | SY  |      |  |
| D   |    | ECR-10-019054             | 15SEP10   | DP        | MQW |      |  |

### CONNECTOR ASSEMBLY EXAMPLARY LOADED

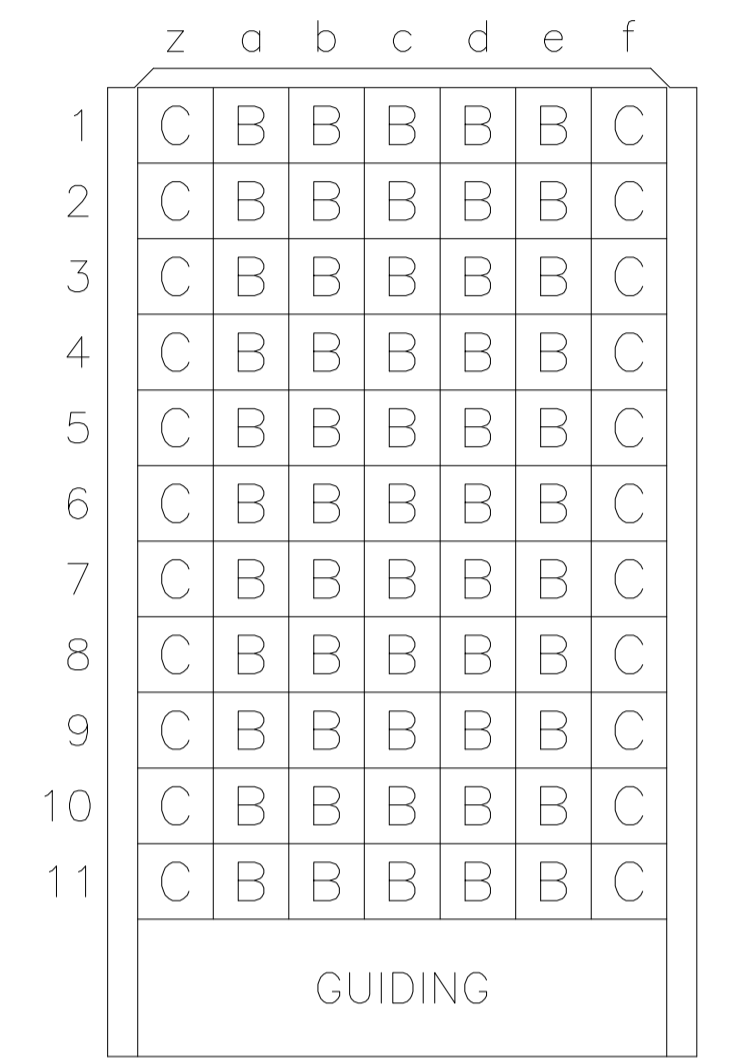


### CONTACT DIMENSIONS

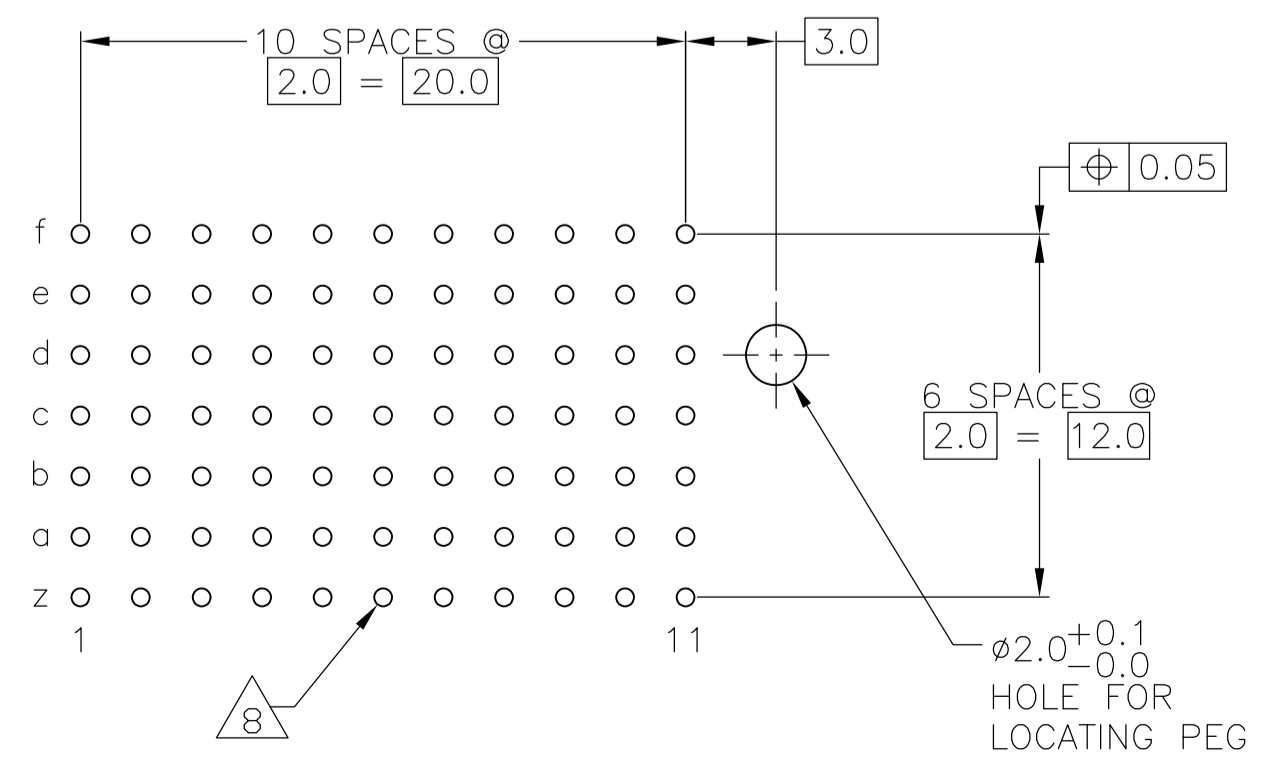
SCALE 5:1



### CONTACT LAYOUT



### RECOMMENDED PCB-HOLE LAYOUT COMPONENT SIDE SHOWN



### PLATED THRU HOLES PARAMETERS

REFERENCE APPLICATION SPECIFICATION

|        |   |    |             |
|--------|---|----|-------------|
| 2      | 6 | 13 | 1-5188516-9 |
| 2      | 5 | 13 | 5188516-9   |
| 2      | 4 |    | 5188516-4   |
| 2      | 3 |    | 5188516-1   |
| FINISH |   |    | PART NUMBER |

THIS DRAWING IS A CONTROLLED DOCUMENT.

|                |  |                       |  |                |                 |
|----------------|--|-----------------------|--|----------------|-----------------|
| DIMENSIONS: mm | TOLERANCES UNLESS OTHERWISE SPECIFIED: | DRAWING NO. 108-19082 | DATE 04MAY05   | NAME G.SKIPPER | PRODUCT SPEC    |
| 0-PLC ±        | 1-PLC ±0.2                             | APPLICATION SPEC      | 114-19029  | SIZE A1        | CAGE CODE 00779 |
| 2-PLC ±0.002   | 3-PLC ±0.005                           | WEIGHT                | SCALE 4:1  | SHEET 1 OF 2   | REV D           |
| 4-PLC ±0.010   | ANGLES ±0.30°                          | CUSTOMER DRAWING      | Tyco Electronics Corporation Harrisburg, PA 17105-3608 |                |                 |

MALE ASSEMBLY, Z-PACK 2mm HM, TYPE C

5188516

| LOC | DIST | REVISIONS   |      |    |      |
|-----|------|-------------|------|----|------|
| P   | LTR  | DESCRIPTION | DATE | DN | APVD |
| ES  | 00   | SEE SHEET 1 | -    | -  | -    |

- 1 MATERIAL:  
CONTACT: PHOSPHOR BRONZE.  
HOUSING: GLASS-FILLED POLYESTER.
- 2 GENERAL PLATING SPECIFICATION: UNDERPLATING  
(ENTIRE CONTACT): 1.27µm MIN NICKEL AND ACTION  
PIN: 0.5µm MIN TIN.  
FOR PLATING OF MATING SURFACES SEE APPLICABLE  
SPECIFICATION REFERENCE FOR EACH DASH NUMBER.
- 3 CONFORMS TO ALL TESTING ACCORDING TO IEC 61076-4-101  
PERFORMANCE LEVEL 2.
- 4 CONFORMS TO ALL TESTING ACCORDING TO IEC 61076-4-101  
PERFORMANCE LEVEL 1.
- 5 CONNECTOR TESTED AND QUALIFIED AGAINST TELCORDIA GR-1217-CORE QUALITY LEVEL 3,  
CENTRAL OFFICE APPLICATIONS.
- 6 CONNECTOR TESTED AND QUALIFIED AGAINST TELCORDIA GR-1217-CORE QUALITY LEVEL 3,  
UNCONTROLLED ENVIROMENT APPLICATIONS.
- 7 CONNECTOR MARKED WITH PART NUMBER AND DATE CODE.  
ADDITIONAL CHARACTERS OR MARKINGS, AS WELL AS THE LOCATION OF THE MARKINGS,  
MAY BE ADDED FOR TRACEABILITY BASED UPON MANUFACTURERS DISCRETION.
- 8 PLATED-THROUGH HOLES AT 2x2mm SQUARE GRID  
PATTERN DEFINED BY CONTACT LAYOUT.
- 9 FOR ACTUAL PIN LOADING SEE "CONTACT LAYOUT".
- 10 FOR ACTUAL PIN DIMENSIONS SEE "CONTACT DIMENSIONS".
- 11 TO BE MEASURED AT BOTTOM OF SHROUD.
- 12 LOCATION PEG.
- 13 CONNECTOR LUBRICATED WITH BELCORE APPROVED LUBRICANT,  
TECHNICAL REFERENCE: TR-NWT-001217 ISSUE 1, SEP 1992.

|  |  |  |  |   |  |
|--|--|--|--|---|--|
| THIS DRAWING IS A CONTROLLED DOCUMENT. |  | DIN B CARBO 04MAY05  |  | Tyco Electronics Corporation<br>Harrisburg, PA 17105-3608 |  |
| DIMENSIONS:<br>mm                      |  | TOLERANCES UNLESS OTHERWISE SPECIFIED:<br>0-PLC ±<br>1-PLC ±0.2<br>2-PLC ±0.02<br>3-PLC ±0.005<br>4-PLC ±<br>ANGLES ±0.30° |  | APVD G SKIPPER 04MAY05                                    |  |
| MATERIAL<br>SEE SHEET 1                |  | FINISH<br>SEE SHEET 1  |  | NAME<br>MALE ASSEMBLY, Z-PACK 2mm HM,<br>TYPE C           |  |
| WEIGHT<br>-                            |  | APPLICATION SPEC<br>108-19082  |  | SIZE<br>A1  |  |
| CUSTOMER DRAWING                       |  | DRAWING NO<br>00779  |  | RESTRICTED TO<br>-  |  |
| SCALE<br>4:1                           |  | SHEET<br>2 OF 2  |  | REV<br>D  |  |