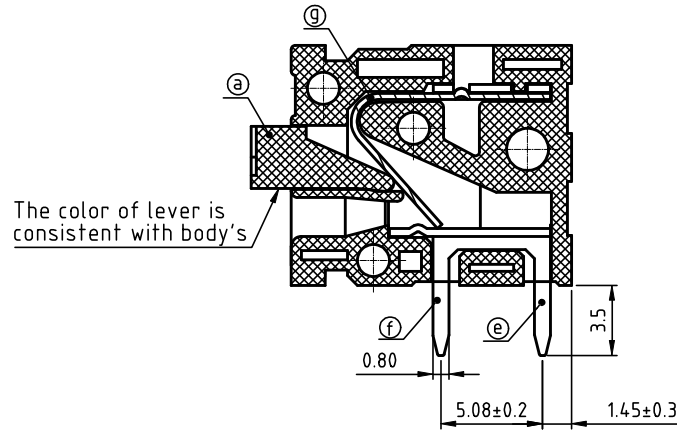
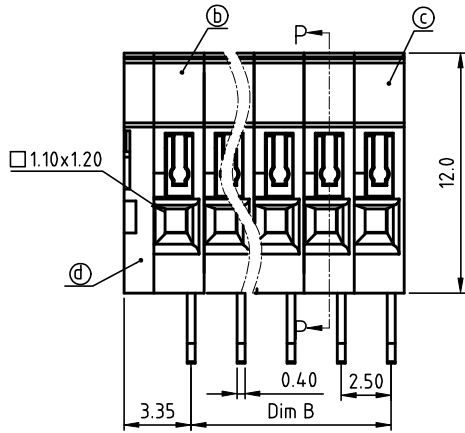
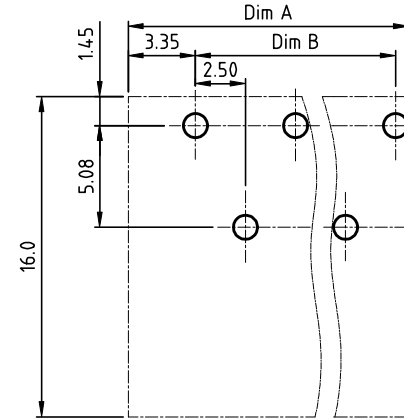


PRODUCT NUMBER	PITCH
NAxxB1x100J0G	2.50 mm



The color of lever is consistent with body's



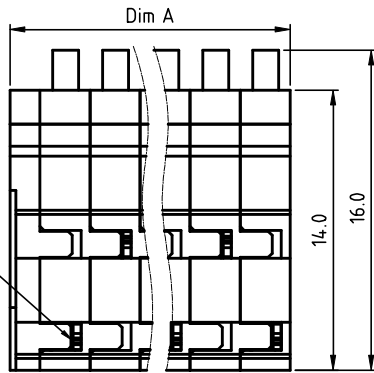
RECOMMENDED P.C.B LAYOUT  
TOP VIEW

Material:

- Item (a) Terminal lever: Thermoplastic (UL94 V-0)
- Item (b) Terminal Normal housing: Thermoplastic (UL94 V-0)
- Item (c) Terminal side body Thermoplastic (UL94 V-0)
- Item (d) Terminal cover: Thermoplastic (UL94 V-0)
- Item (e) Down contacts pin omit Top side: Brass Tin plated
- Item (f) Top contacts pin omit Down side: Brass Tin plated
- Item (g) Wire guard: Stainless steel

Electrical cULus

- Voltage rating: 150V
- Current rating: 3A
- Wire range: 0.08-0.52mm<sup>2</sup>
- Solid wire(AWG): 20-28
- Stranded wire(AWG): 20-28
- Wire strip length: 9-10mm
- Withstanding Voltage: 1.3KV
- Operating temperature: -40°C to +115°C
- Soldering temperature: 260°C±5°C/5 Sec
- Safety Approval:



Down contacts pin omit  
Top side with cover

PART NO.: NA xx B1 x 1 00J0 G

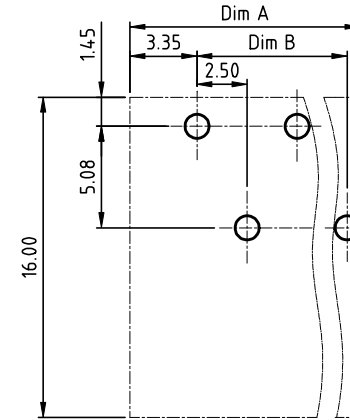
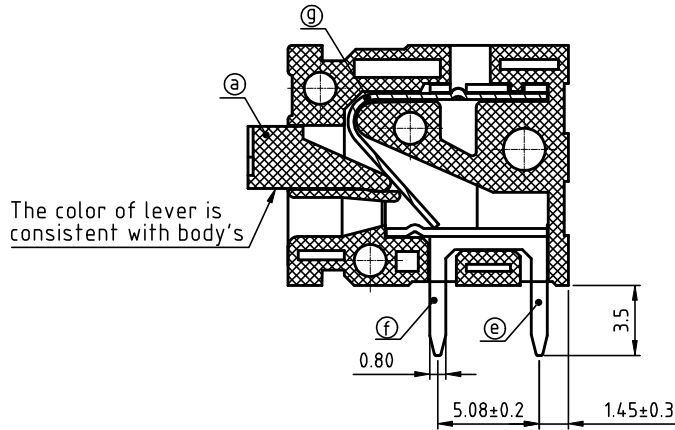
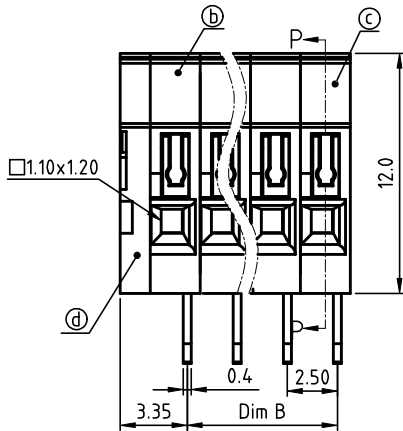
N=Number of poles  
Dim A=Nx2.5+1.5  
Dim B=(N-1)x2.5

Poles	Tolerance
3p/5p	±0.20
7p/9p/11p	±0.25
13p/15p/17p 19/21p/23p	±0.30

End stackable	No. of poles	Color	RoHS compliant
0	2	Black (RAL9005)	(lead<4%) In copper Alloy
03	3 poles	Red (RAL3001/D)	
05	5 poles	Orange(RAL2011/P)	
...	...	Yellow(RAL1018/A)	
23	23 poles	Green(RAL6018/T)	
		Blue (RAL5015/A)	
		8 Grey(RAL7004/P)	
		9 White(RAL1102)	
		C Multiple colors	

mat'l. code		surface ASME Y14.5	tolerance ASME Y14.5	projection 	product family TERMINAL BLOCK
ltr	ecn no	dr	date	title TERMINAL BLOCK	
tolerances unless otherwise specified				MM	SPRING CLAMP,180D WIRE INLET,B TYPE,ODD POLES
angles		X.±0.5		scale	dwg no
X'±1"		X.X±0.3			sheet 1 of 2 size
		X.XX±0.1			NAxxB1x100J0G
		dr	EVIN ZHONG 052314		A4
		enr	EVIN ZHONG 052314		
		chr	HANKE FENG 052314		
		appd	SHI JUN 052314		
sheet index	revision sheet	A	1	type CUSTOMER Drawing	

PRODUCT NUMBER	PITCH
NAxxB1x100J0G	2.50 mm



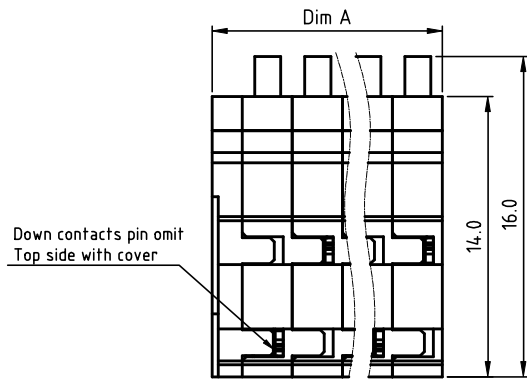
RECOMMENDED P.C.B LAYOUT  
TOP VIEW

Material:

- Item (a) Terminal lever: Thermoplastic (UL94 V-0)
- Item (b) Terminal Normal housing: Thermoplastic (UL94 V-0)
- Item (c) Terminal side body Thermoplastic (UL94 V-0)
- Item (d) Terminal cover: Thermoplastic (UL94 V-0)
- Item (e) Down contacts pin omit Top side: Brass Tin plated
- Item (f) Top contacts pin omit Down side: Brass Tin plated
- Item (g) Wire guard: Stainless steel

Electrical cULus

- Voltage rating: 150V
- Current rating: 3A
- Wire range: 0.08-0.52mm<sup>2</sup>
- Solid wire(AWG): 20-28
- Stranded wire(AWG): 20-28
- Wire strip length: 9-10mm
- Withstanding Voltage: 1.3KV
- Operating temperature: -40°C to +115°C
- Soldering temperature: 260°C±5°C/5 Sec
- Safety Approval:



N=Number of poles  
Dim A=Nx2.5+1.5  
Dim B=(N-1)x2.5

Poles	Tolerance
2p/4P/6P	±0.20
8p/10P/12P	±0.25
14P/16P/18P 20P/22P/24P	±0.30

PART NO.: NA xx B1 x 1 00J0 G

End stackable	No. of poles	Color	RoHS compliant
0	2	Black (RAL9005)	(lead<4%) In copper Alloy
02	2 poles	Red (RAL3001/D)	
04	4 poles	Orange(RAL2011/P)	
...	...	Yellow(RAL1018/A)	
...	...	Green(RAL6018/T)	
24	24 poles	Blue (RAL5015/A)	
		8 Grey(RAL7004/P)	
		9 White(RAL1102)	
		C Multiple colors	

mat'l. code		surface ASME Y14.5	tolerance ASME Y14.5	projection 	product family TERMINAL BLOCK
ltr	ecn no	dr	date	title TERMINAL BLOCK	
tolerances unless otherwise specified				MM	SPRING CLAMP,180D WIRE INLET,B TYPE,EVEN POLES
angles		X.±0.5		scale	
X'±1"		X.X±0.3		FCI	
X'±1"		X.XX±0.1		dwg no	
dr	EVIN ZHONG	052314	sheet 2 of 2 size		
enr	EVIN ZHONG	052314	A4		
chr	HANKE FENG	052314	NAxxB1x100J0G		
appd	SHI JUN	052314	type CUSTOMER Drawing		
sheet index	revision sheet	A	2		