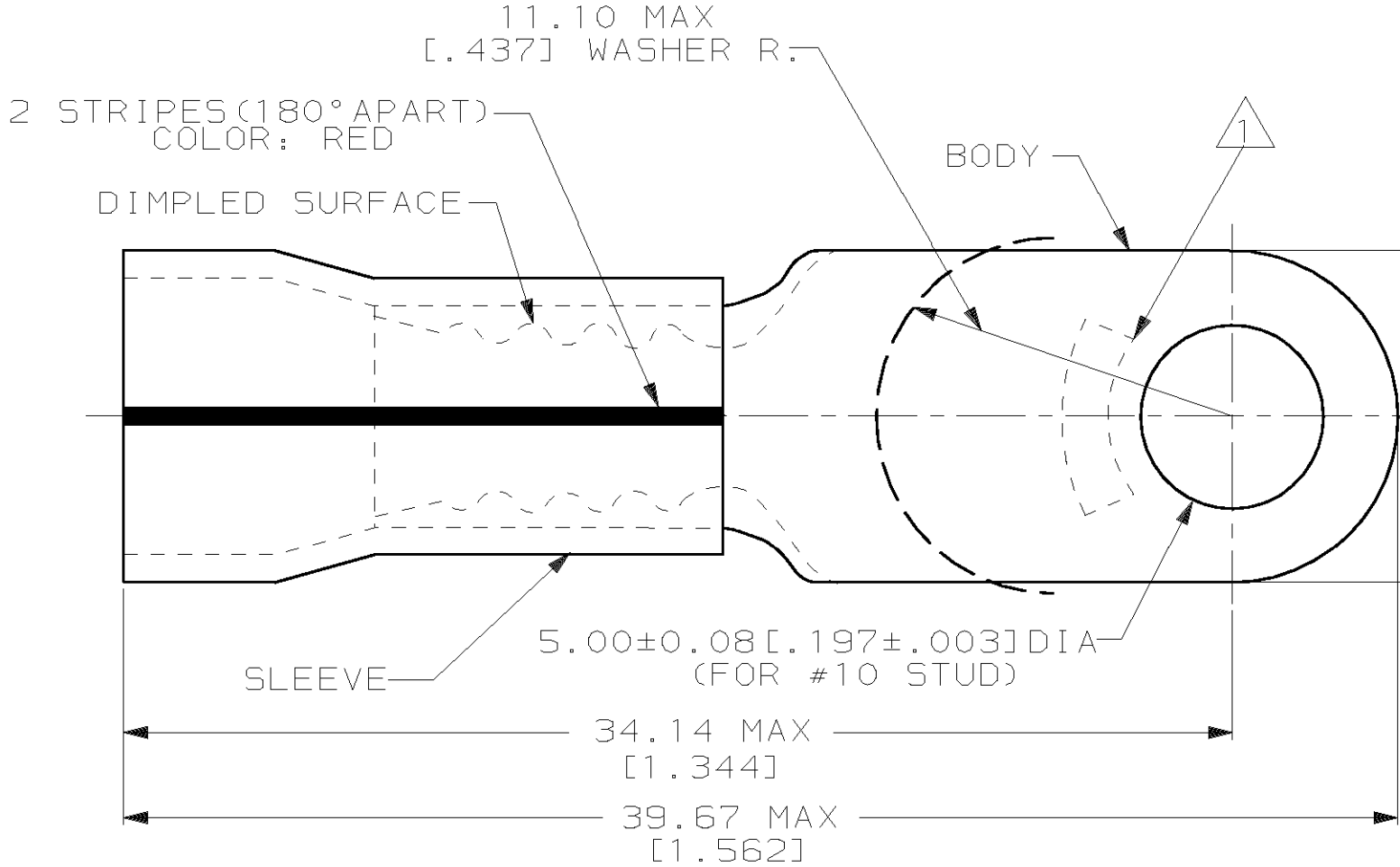


THIS DRAWING IS UNPUBLISHED. RELEASED FOR PUBLICATION, 19 .
 © COPYRIGHT 19 BY AMP INCORPORATED. ALL INTERNATIONAL RIGHTS RESERVED.

LOC G	DIST 14	P	F	REVISIONS			DATE	APPD
				ZONE	LTR	DESCRIPTION		
					G	REV PER 0G3A-0363-01	10JUL01	JR/TM



AMP
WIRE RANGE

8 AWG
STRANDED

METRIC

DIMENSIONS LISTED IN mm [INCHES]

- NOTE:
1. STAMP AMP 8* LOCATE APPROX AS SHOWN
 2. TONGUE MATERIAL THK 1.02±0.08 [.040±.003]
 3. WIRE INSULATION DIA 9.65 [.380] MAX
 4. TAPE ITEMS ARE ON 30.48 [1.200] CENTERS

50	LOOSE PC, BOX	8-53978-2
500	ON TAPE	53978-2
100	LOOSE PC	53978-1
QTY	PACKAGE TYPE	PART NO

AMP INCORPORATED CUSTOMER SERVICE SYSTEMS		MAX RECOMMENDED OPERATING TEMPERATURE: 150°C	DO NOT SCALE PRINT. UNLESS SPECIFIED DIMENSIONS IN mm [INCHES]	DR 10-7-93 S.S. GOULDEN	AMP AMP Incorporated Harrisburg, PA 17105-3608
FOR ADDITIONAL PRODUCT INFORMATION OR COPIES OF DRAWINGS AND TECHNICAL DOCUMENTS	PRODUCT INFORMATION CENTER 1-800-522-6752	VOLTAGE RATING: 600 V MAX	TOLERANCES ON: 2 PLC DEC ± 0.20 [.008] 3 PLC DEC ± - ANGLES ± -	CHK 10-7-93 R. HERSEY	
FOR APPLICATION TOOLING INFORMATION	TOOLING ASSISTANCE CENTER 1-800-722-1111	CIRCULAR MIL AREA: 6.64-10.54mm² [13,100-20,800] STRANDED	MATERIAL COPPER PER ASTM B-152 PVF², COLOR:NATURAL	APPD 10-7-93 B. BARE	NAME TERMINAL, RING TONGUE, PVF², PLASTI-GRIP, WIRE SIZE:8 AWG
FOR ORDER ENTRY	1-800-526-5142	THIS DRAWING IS A CONTROLLED DOCUMENT FOR AMP INCORPORATED. IT IS SUBJECT TO CHANGE AND THE CONTROLLING ENGINEERING ORGANIZATION SHOULD BE CONTACTED FOR THE LATEST REVISION.	FINISH TIN/LEAD (93-7) PLATE PER ASTM B545	APPD 10-7-93 M. ELLIS	SIZE B
					PRODUCT SPEC NOT AVAILABLE
				APPLICATION SPEC NOT AVAILABLE	DRAWING NO C-53978
				WEIGHT -	SCALE NTS
					SHEET 1 OF 1