

## ASM Series • 50/60 Hz Current Sensor

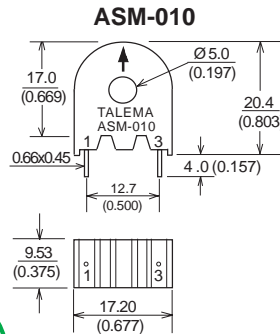
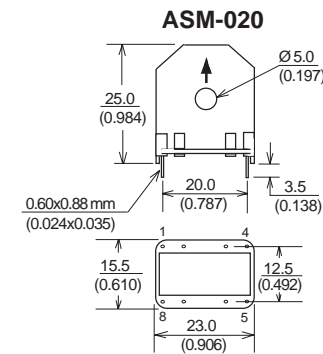
**ASM Series** current sensors operate as the sealed secondary of a current transformer while the conductor carrying the current to be measured functions as a one turn primary. Measurement accuracy can be improved by increasing the number of primary turns. Applications include detection of branch circuit overload and load drop or shutdown.

### Features

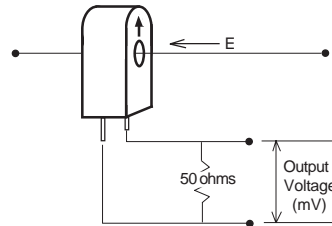
- Fully encapsulated for optimal PC board mtg.
- Mains frequency of 50/60 Hz
- Primary current ratings from 1 to 100 Amps
- Primary to secondary isolated to 2500 or 4000VAC
- Operating temperature range: -40° C to +120° C
- Competitive pricing due to high volume production
- Manufactured in an ISO 9001:2008, ISO/TS 16949:2009 and ISO 14001:2004 certified Talema facility
- Fully RoHS & REACH Compliant



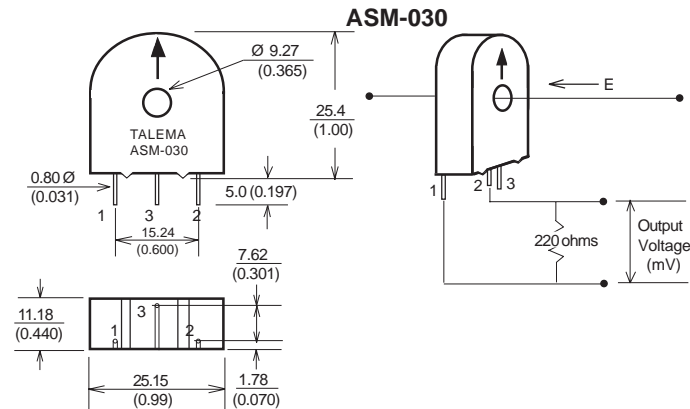
Part Number	Current Range	Output Voltage Tolerance
ASM-010	1 - 10 Amps	±10%
ASM-020	1 - 20 Amps	±10%
ASM-030	1 - 30 Amps	±10%
ASM-050	5 - 50Amps	±10%
ASM-075	5 - 75 Amps	±10%
ASM-100	5 - 100 Amps	±10%



**ASM-010 & ASM-020**

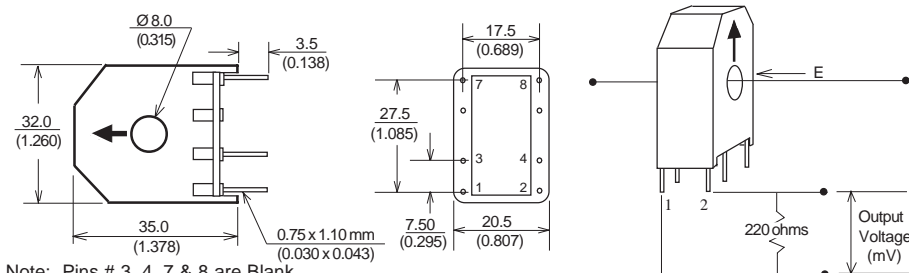


Note: Pins #1 and 8 are Blank



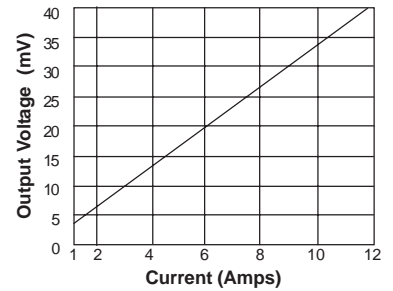
Note: Pin #3 is Blank

**ASM-050, ASM-075 & ASM-100**

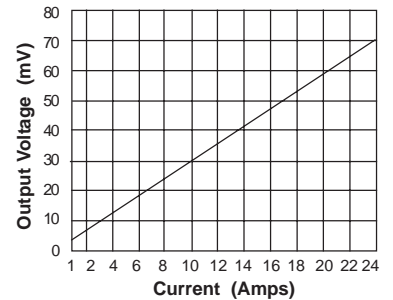


Note: Pins # 3, 4, 7 & 8 are Blank

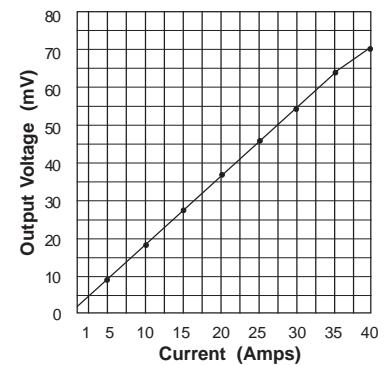
**Typical Response  
ASM-010**



**ASM-020**



**ASM-030**



**ASM-050, ASM-075 & ASM-100**

