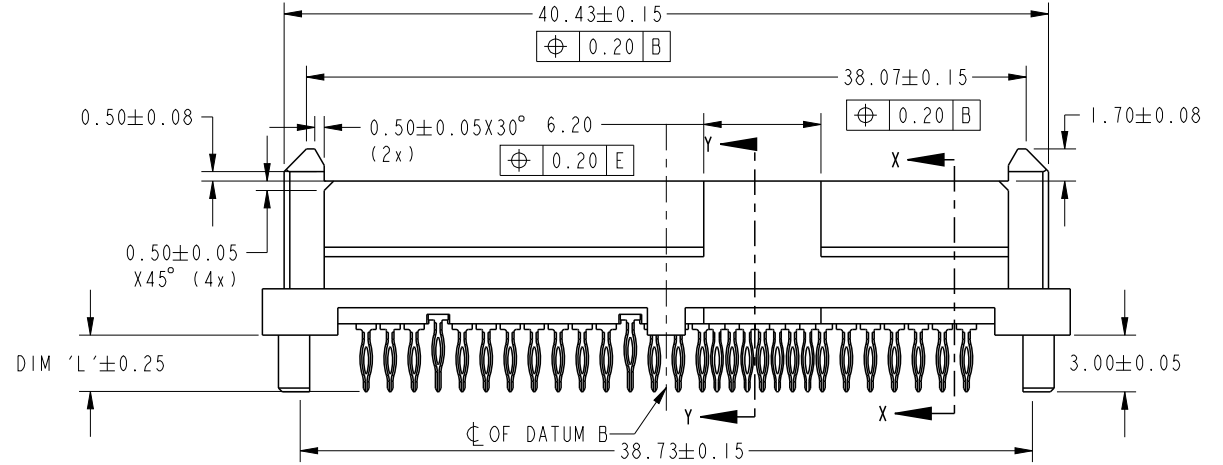
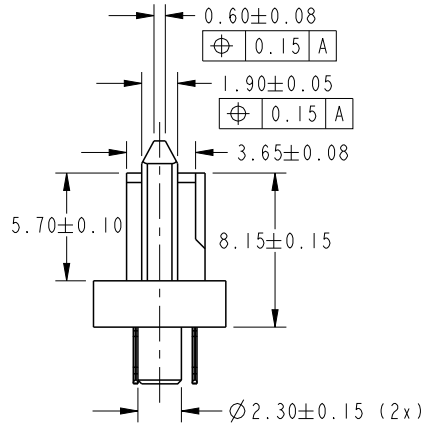
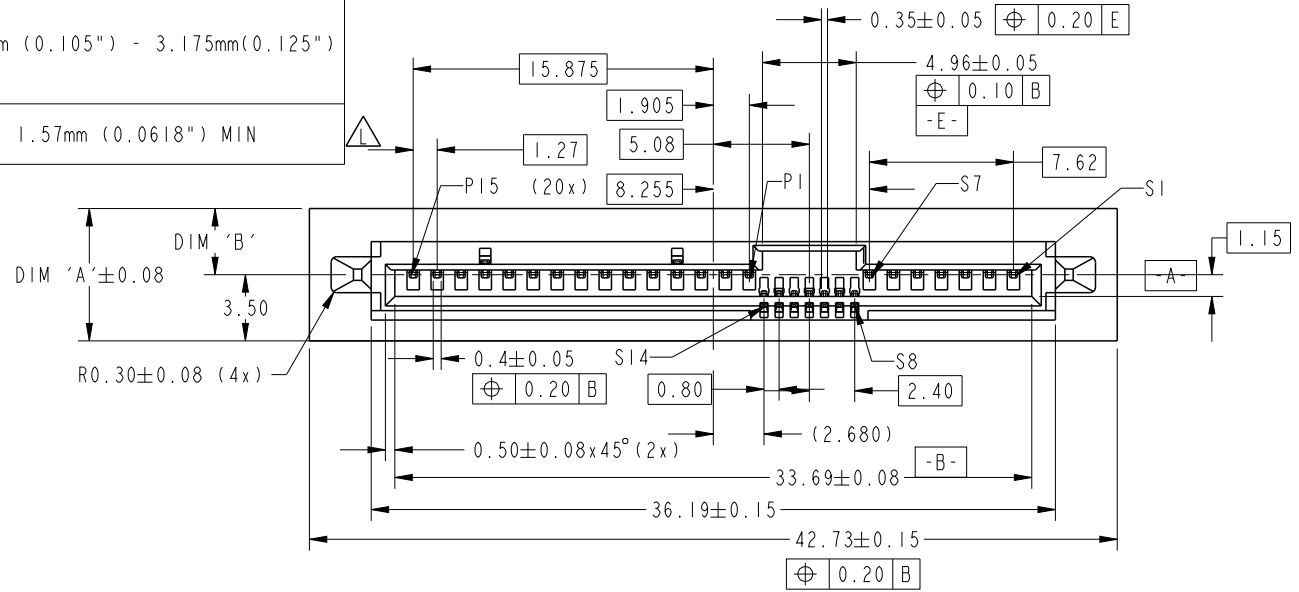


PRODUCT NO	DIM 'A'	DIM 'B'	DIM 'L'	PLATING	RECOMMENDED P.C. BOARD THICKNESS
10045782-001LF	7.00	3.50	3.50	NOTE 2	2.67mm (0.105") - 3.175mm(0.125")
10045782-011LF	6.00	2.50		NOTE 3	
10045782-001	7.00	3.50		NOTE 2	
10045782-011	6.00	2.50		NOTE 2	
10045782-002LF	7.00	3.50	2.70	NOTE 2	1.57mm (0.0618") MIN
10045782-012LF	6.00	2.50			



spec ref			SEE NOTES		dr	w cadadmin	2005/10/11	projection		MM		size	A4	scale	3:1		
tolerance std			TOLERANCES UNLESS OTHERWISE SPECIFIED		eng	Noor hazelinda	2016/07/12	MM		← →		ecn no		ELX-M-24482-1			
ASME Y14.5					chr	-	-	ASME Y14.5				rel level		Released			
					appr	Koon-Poh Tay	2016/07/18	product family		SAS		rel level		Released			
surface			✓ linear		Amphenol FCI			SAS RECEPTACLE PF STAGGER			dwg no		10045782		rev		L
			angular		0°		± 2°		cat. no.			Product - Customer Drw			sheet 1 of 3		

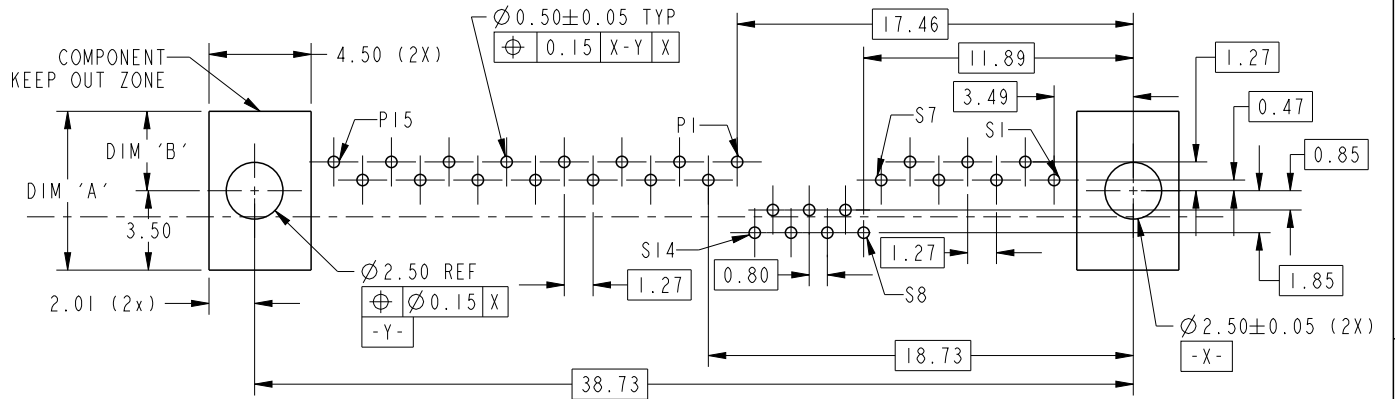
A

B

C

D

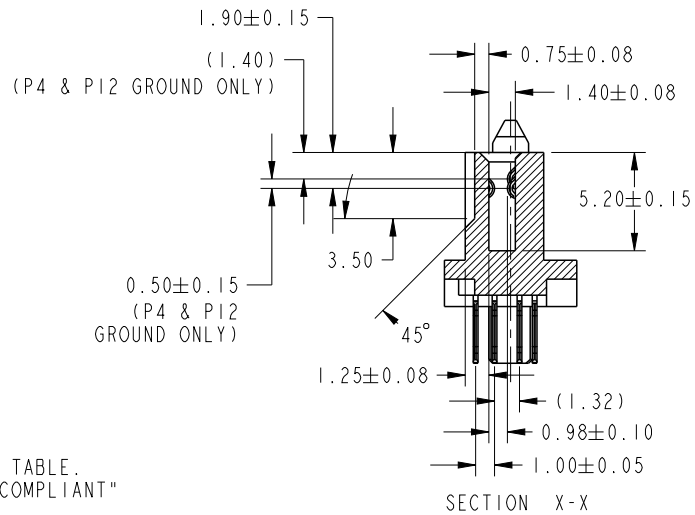
PRODUCT NO		
SEE TABLE		
HOLE	A	REMARK
HOLE DIAMETER AFTER PLATING	0.45-0.55 mm	FOR -XXX & -XXXLF
DRILLED HOLE	0.58-0.62 mm	
COPPER PLATING	25-50 um	
Sn PLATING	5-15 um	FOR -XXXLF ONLY
Sn-Pb PLATING	5-15 um	FOR -XXX ONLY



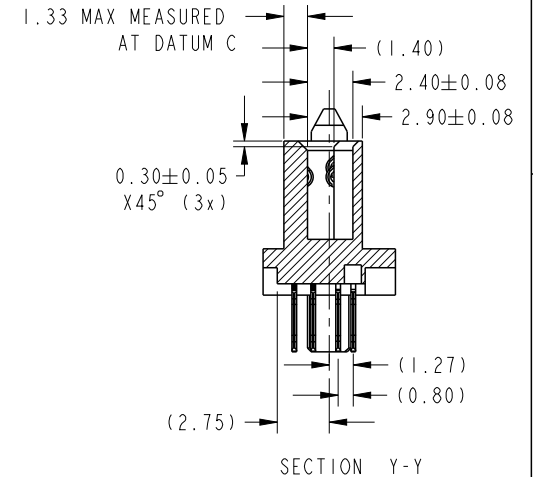
RECOMMENDED PCB LAYOUT

NOTE:

- MATERIAL:
 - A) HOUSING: HIGH TEMPERATURE THERMOPLASTIC, UL 94V-0 COLOUR: BLACK
 - B) TERMINAL; COPPER ALLOY
 - C) HOLD DOWN: COPPER ALLOY
- FINISH (LEAD-FREE):
 - A) TERMINAL: 30u" Au PLATING (CONTACT POINT) OVER 50u" NICKEL
 - B) PRESSFIT TAIL: 20u" MIN - 60u" MAX Sn OVER 50u" NICKEL
 - C) HOLD DOWN: 50u" min Sn-Pb OVER 50u" NICKEL
- FINISH (TIN LEAD):
 - A) TERMINAL: 30u" Au PLATING (CONTACT POINT) OVER 50u" NICKEL
 - B) PRESSFIT TAIL: 20u" MIN - 60u" MAX Sn-Pb OVER 50u" NICKEL
 - C) HOLD DOWN: 50u" min Sn-Pb OVER 50u" NICKEL
- PER SFF REV 1.4 EXCEPT 0.8mm PITCH BUMP AREA.
- THE HOUSING WILL WITHSTAND EXPOSURE TO 260°C PEAK TEMPERATURE FOR 10 SECONDS IN A CONVECTION, INFRA-RED OR VAPOR PHASE REFLOW OVEN.
- THIS PRODUCT MEETS EUROPE UNION DIRECTIVES AND OTHER COUNTRY REGULATIONS AS DESCRIBED IN GS-22-008.
- A \triangle SYMBOL WILL BE NEXT TO ANY DIMENSION, VIEW, OR NOTE WHICH HAS BEEN MODIFIED WITH THE CURRENT REVISION.
- NOTE 6 NOT APPLICABLE TO TIN LEAD PLATING P/N XXXXXXXX-XXX IN TABLE.
- TIN/LEAD PLATED PRESS-FIT CONNECTORS ARE CONSIDERED EU "ROHS COMPLIANT" WITH THE EXEMPTION ALLOWED FOR COMPLIANT PIN CONNECTORS.



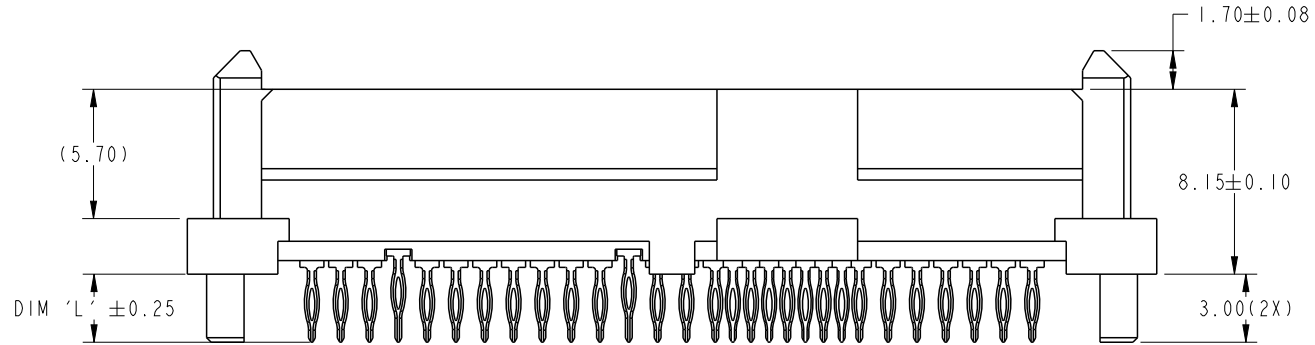
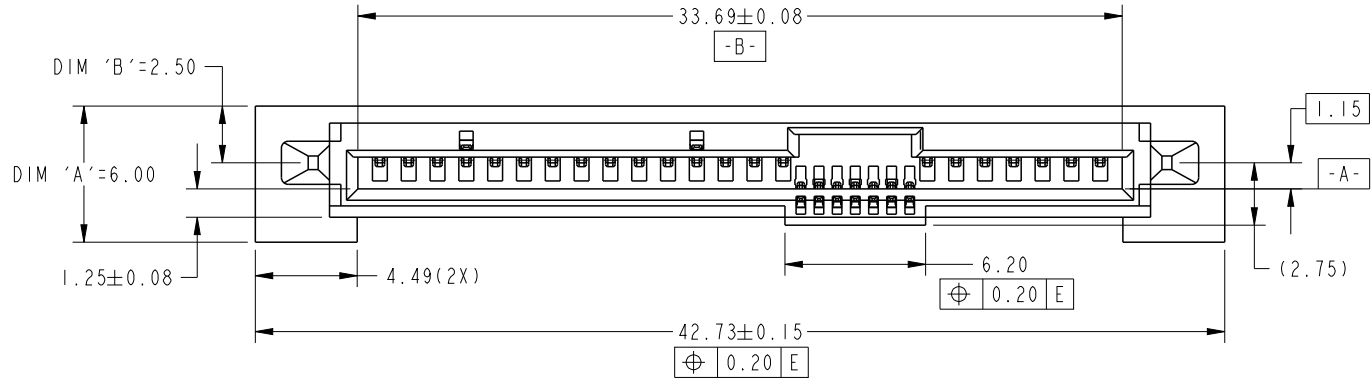
SECTION X-X



SECTION Y-Y

spec ref	SEE NOTES			dr	w cadmin	2005/10/11	projection	MM	size	A4	scale	1:1	
tolerance std	TOLERANCES UNLESS OTHERWISE SPECIFIED			eng	Noorhazelinda	2016/07/12			←→	ecn no	ELX-M-24482-1		
ASME Y14.5				chr	-	-				product family	rel level	Released	
surface	linear	0.X	±0.2	appr	Koon-Poh Tay	2016/07/18	SAS RECEPTACLE PF STAGGER	dwg no	10045782	rev	L	sheet 2 of 3	
		0.XX	±0.2										cat. no.
	angular	0°	±2°										

PRODUCT NO	DIM 'A'	DIM 'B'	DIM 'L'	PLATING	RECOMMENDED P.C. BOARD THICKNESS
10045782-021LF	6.00	2.50	3.50	NOTE 2	2.67mm (0.105") - 3.175mm(0.125")
10045782-021				NOTE 3	



NOTES:
ALL OTHER UNSPECIFIED DIMENSIONS, REFER TO SHEET 1 & 2

SCALE 3:1

spec ref	SEE NOTES			dr	w wcadmin	2005/10/11	projection	MM	size	A4	scale	1:1	
tolerance std	TOLERANCES UNLESS OTHERWISE SPECIFIED			eng	Noorhazlinda	2016/07/12				ecn no	ELX-M-24482-1		
ASME Y14.5				chr	-	-				product family	SAS	rel level	Released
surface		0.X	±0.2		SAS RECEPTACLE PF STAGGER				10045782		L	cat. no. Product - Customer Drw sheet 3 of 3	
		0.XX	±0.2										
	0.XXX	±0											
	angular	0°	±2°										