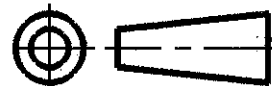


DO NOT SCALE

DIMENSIONS IN mm

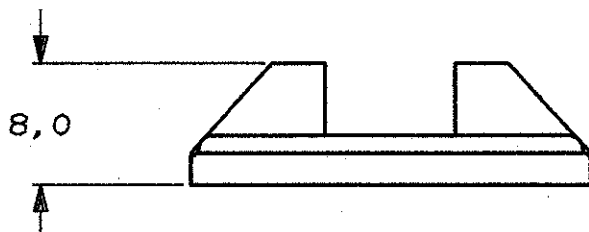
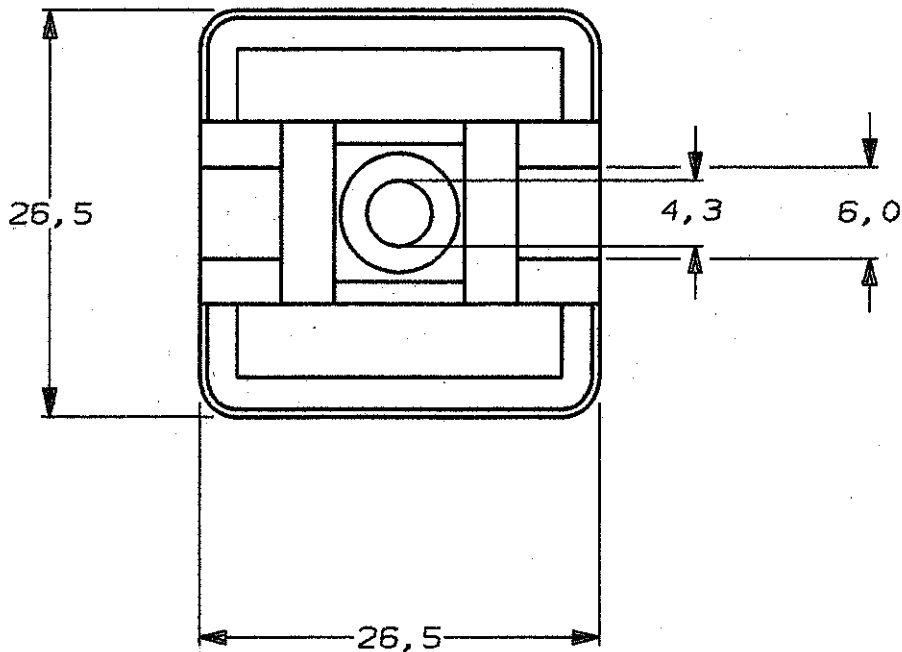
METRIC

THIRD ANGLE
PROJECTION



NOTES:

- 1 MAX. CABLE TIE WIDTH 4,8.
- 2 TENSILE STRENGTH 415 kPa
- 3 APPL. TEMP. RANGE +10 - +38°C.



BLACK		POLYAMIDE 6/6		2-100692-2	100
NATURAL		POLYAMIDE 6/6		2-100692-1	100
FINISH		MATERIAL		PARTNUMBER	QTY
-	-	-	-	CUSTOMER DRAWING FOR REFERENCE ONLY WILL NOT BE UPDATED	
-	-	-	-	© COPYRIGHT 19- BY AMP HOLLAND B.V. ALL INTERNATIONAL RIGHTS RESERVED. AMP PRODUCTS MAY BE COVERED BY U.S. AND FOREIGN AND/OR PATENTS PENDING.	
-	-	-	-	THIS DRAWING IS UNPUBLISHED RELEASED FOR PUBLICATION , 19	
-	-	-	-	AMP AMP HOLLAND B.V. 's-Hertogenbosch, The Netherlands.	
0	H-9856	JvdH	RV	NAME MOUNTING BASE.	
LTR.	REVISION RECORD	DR.	CHK.	DATE	
DR. : J.V.D.HEIJDEN.	CHK. : R.VOS.	APP. : L.V.SOEST.	DWG.No.	REV.LTR.	SHEET
DATE: 09-06-92	DATE: -	DATE: -	C-100692	0	1 of 1