

# EdgeLock Wire-to-Edge-Card Signal Connector

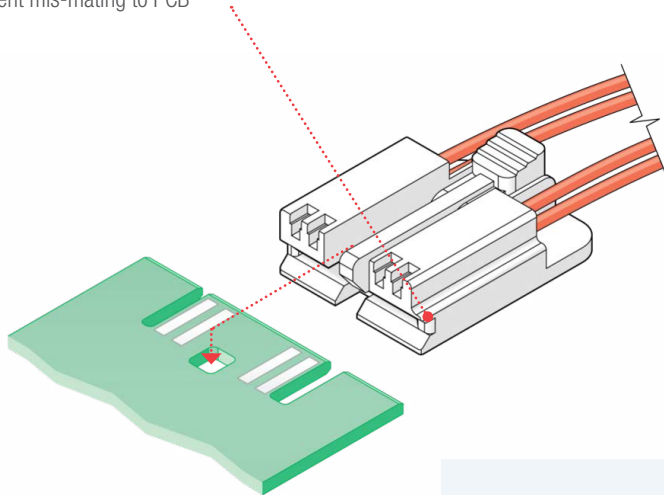
2.00mm Pitch, with Positive Lock

# molex

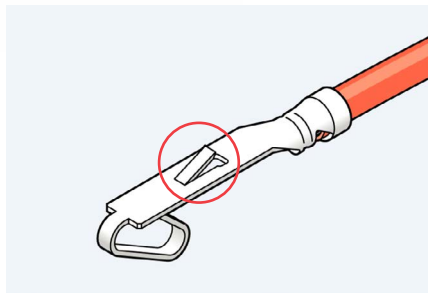
EdgeLock wire connectors offer space savings and positive locking for secure mating to PCB edge cards

## Features and Benefits

Polarization rib on connector housing to prevent mis-mating to PCB



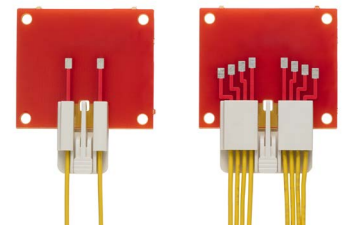
Drilled hole in PCB for assembly locking



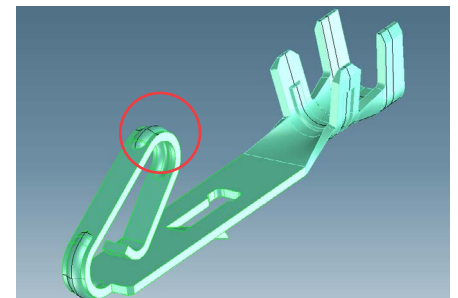
Locking feature on the reverse side of crimp terminal prevents accidental terminal withdrawal once inserted into the housing cavity



EdgeLock Housing – 2, 4, 6, 8-Circuit



Mated with PCB EdgeLock – 2, 8-Circuit



Dual cantilever crimp terminal design with embossed contact points offers greater normal force for long-term electrical reliability

## Applications

### Consumer/Home Appliances

- Fitness
- Home Appliances
- Home Entertainment
- HVAC

### Industrial

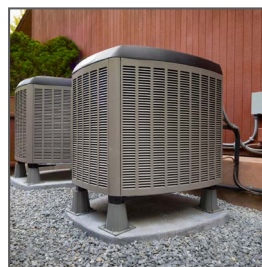
- Power(Power Supplies, UPS)
- Wire-to-Device

### Solid State Lighting

- Indoor and Outdoor Lighting



Lighting



HVAC



Home appliances

# EdgeLock Wire-to-Edge-Card Signal Connector

2.00mm Pitch, with Positive Lock

## Specifications

### REFERENCE INFORMATION

Packaging: Poly Bag(Housing), Reel(Terminal)  
UL File No.: TBD  
Terminal Used: Yes  
Designed In: Millimeters  
RoHS: Yes  
Halogen Free: Yes  
Glow Wire Compliant: No

### ELECTRICAL

Voltage (max.): 125V  
Current (max.): 3.0A (Phosphor Bronze)  
Contact Resistance: 30 milliohm  
Dielectric Withstanding Voltage: 1,000V  
Insulation Resistance: 1,000 megaohm

### MECHANICAL

Contact Insertion Force: 9.80N Max  
Contact Retention to Housing: 9.80N Max  
Insertion Force to PCB: 5.0N Max  
Durability (Max): 30Cycles

### PHYSICAL

Positive Locking Housing: 2, 4, 6, 8-Circuit  
Pitch: 2.00mm  
Plating: Tin-plated  
PCB Thickness: 1.20mm, 1.60mm  
Operating Temperature: -40 to +105°C  
Flammability Rating: UL 94 V-0  
Housing Material: PA46  
Terminal Material: Phosphor Bronze

## Ordering Information

Series No.	Component	PCB Thickness
<a href="#">200890</a>	Housing	1.20mm
<a href="#">200890</a>	Housing	1.60mm
<a href="#">200449</a>	Crimp Terminal	-

[www.molex.com/link/edglock.html](http://www.molex.com/link/edglock.html)

Molex is a registered trademark of Molex, LLC in the United States of America and may be registered in other countries; all other trademarks listed herein belong to their respective owners.