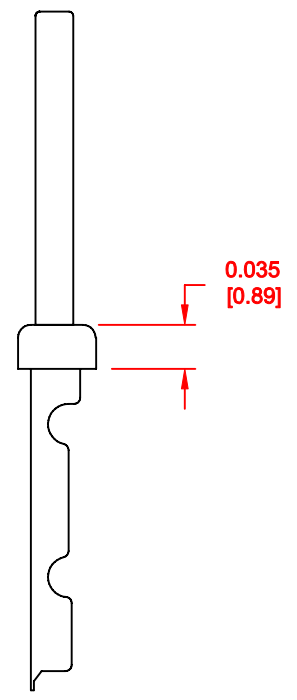
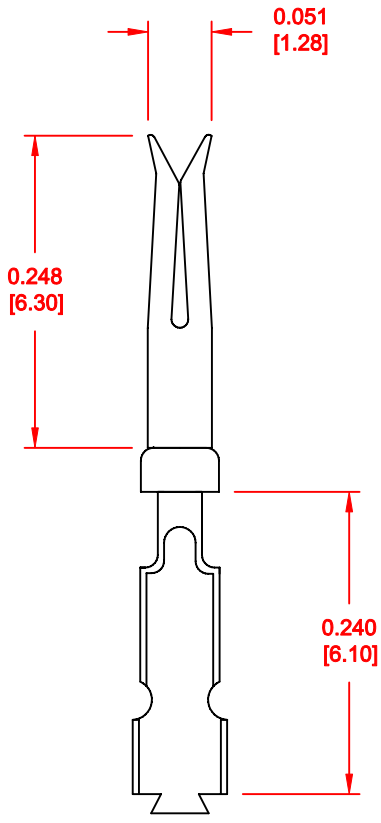


NOTES:
 MATERIAL: PHOSPHOR BRONZE
 PLATING: 10u" GOLD OVER 50u"
 WIRE SIZE: NICKEL
 LOOSE PIECE: 24 - 26AWG
 500 PER BAG



THESE DRAWINGS AND SPECIFICATIONS ARE THE PROPERTY OF NorComp AND SHALL NOT BE REPRODUCED, COPIED OR USED AS THE BASIS FOR THE MANUFACTURE OF SALE OF APPARATUS WITHOUT WRITTEN PERMISSION.

DRAWN: PAM JENKINS		DATE: 5-28-05	
CHECKED:		DATE:	
SCALE: 6:1	SHEET 1	OF 1	REV 4

NorComp

DWG NO. 180-102-170L001

RoHS COMPLIANT