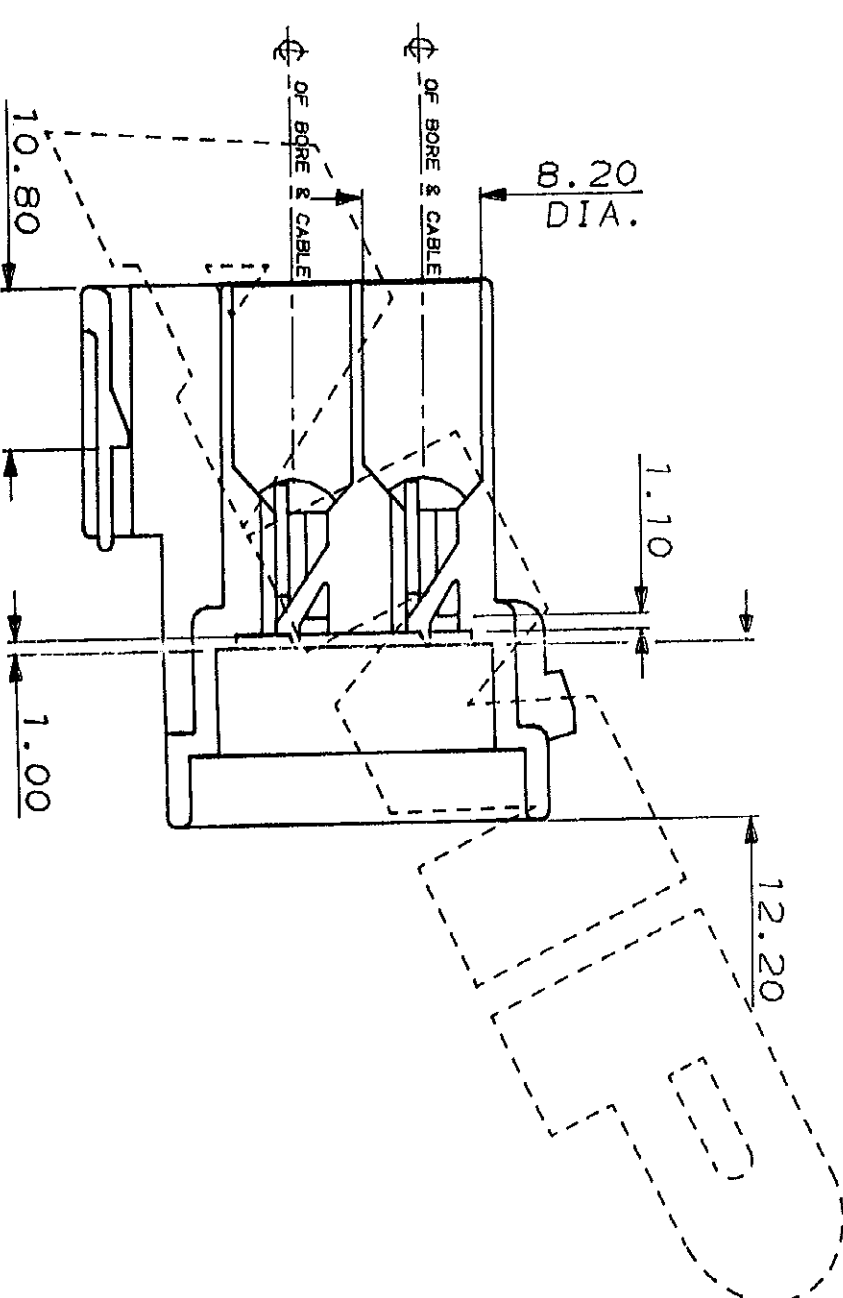
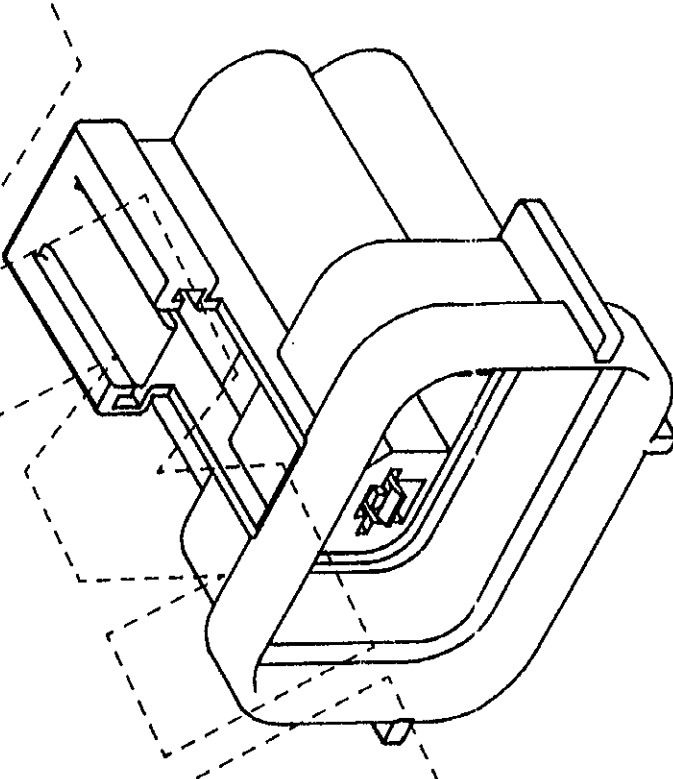
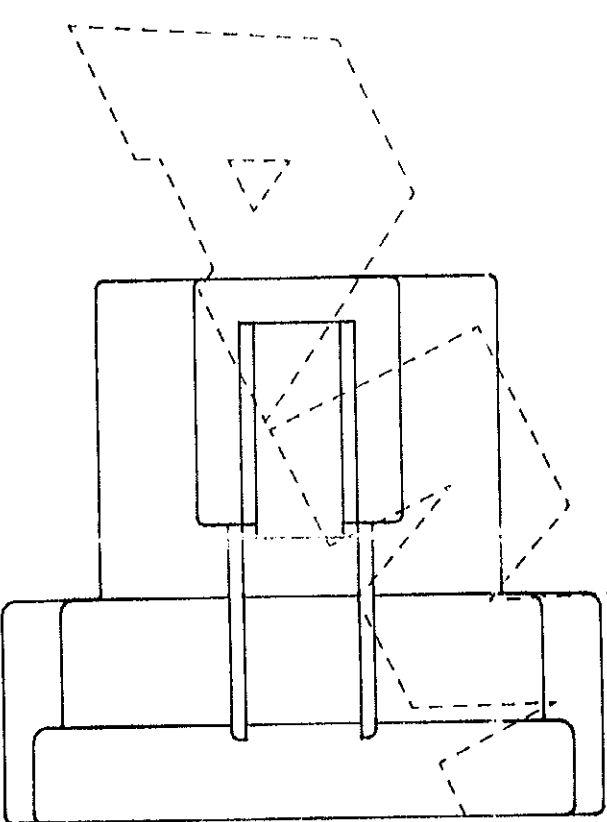
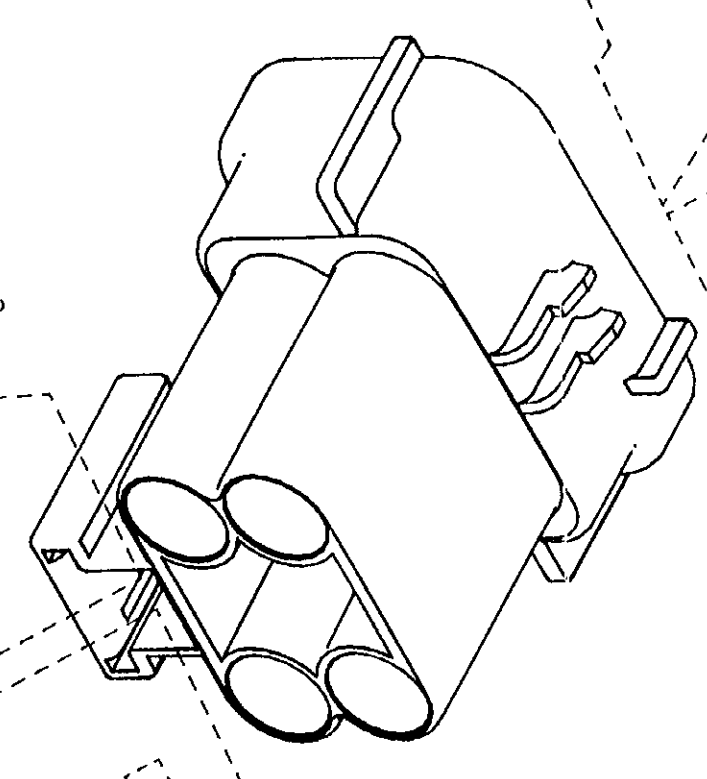
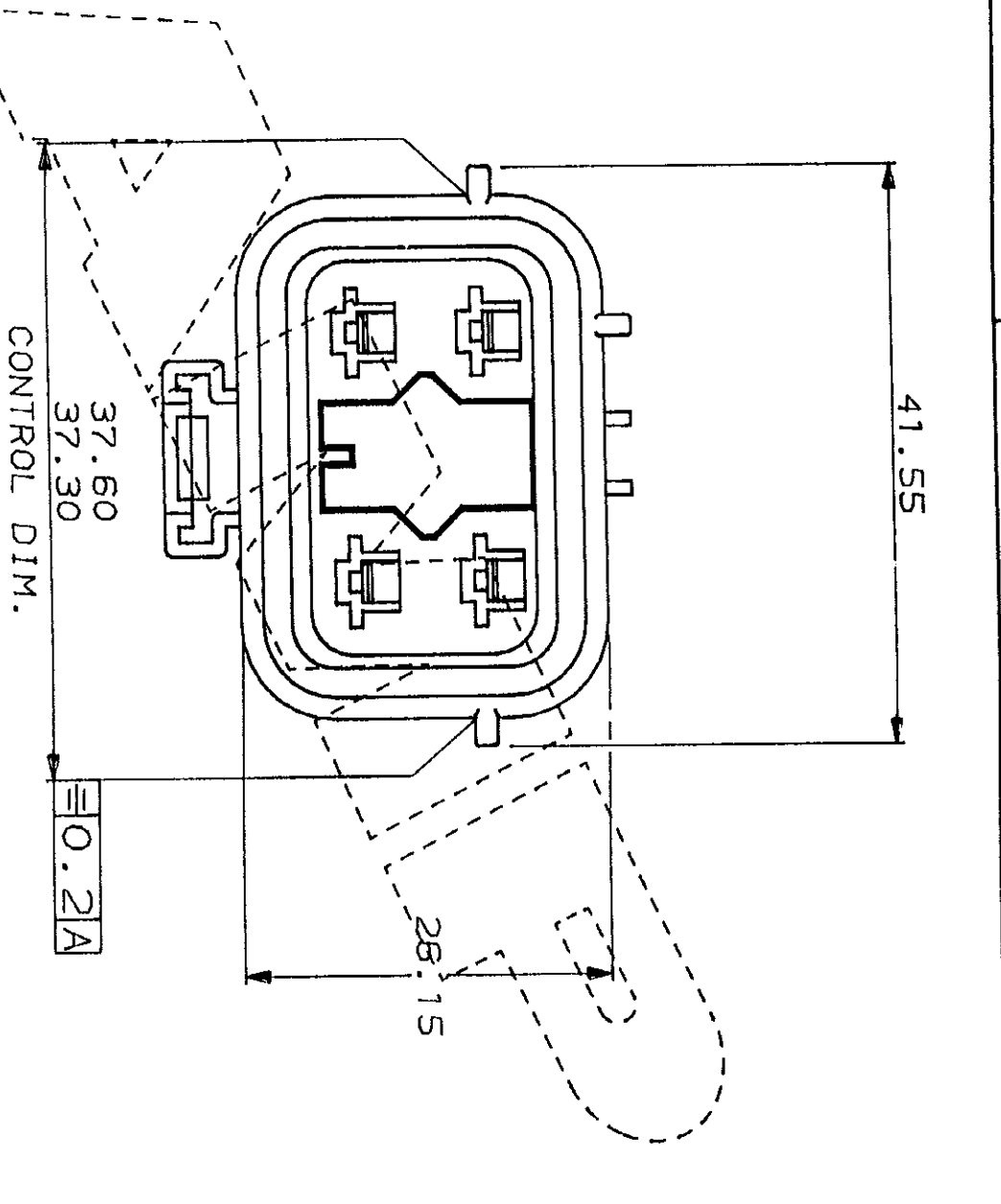
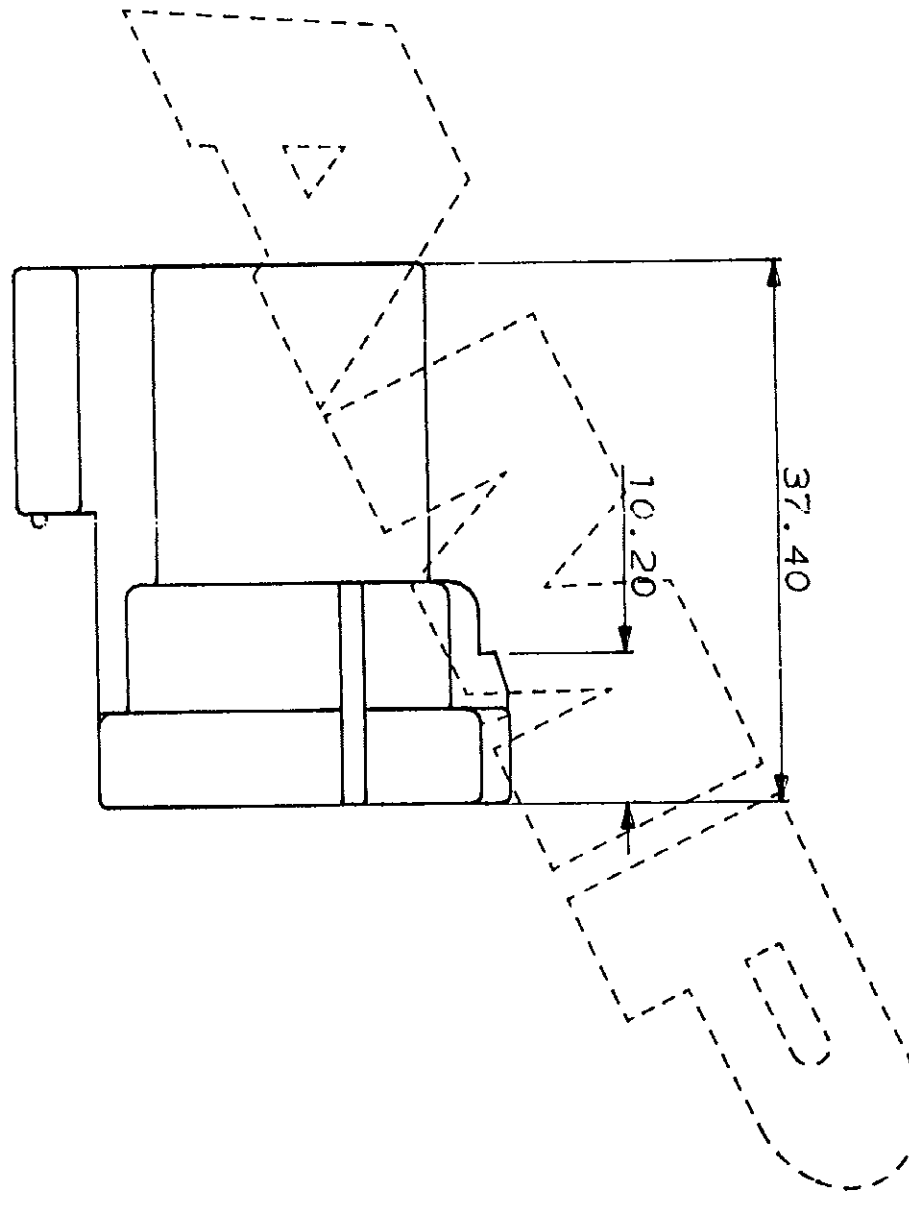
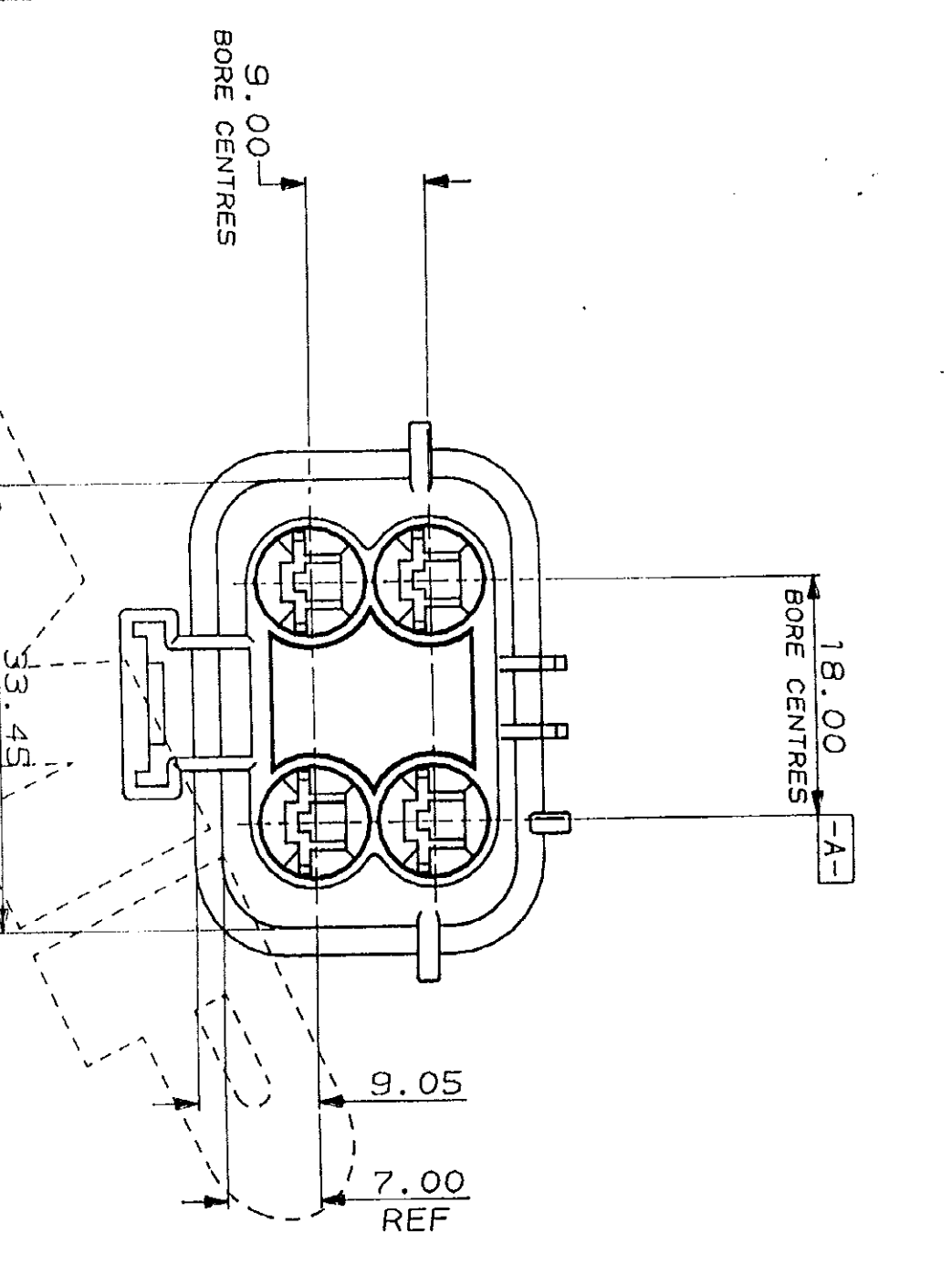


8 7 6 5 4 3 2 1

DO NOT SCALE DIMENSIONS IN MM.

REV	APPROVED	ECN	DATE	NAME	MATERIAL	PART NUMBER
3				4 WAY TAB H56.	NYLON 66	C344074-1
2				ECONOSEAL 3 HIGH CURRENT		
1						
0	REL. FOR PROD.	CP754	11.3.88			
A	UPDATED	CS004	18.7.88			
B	UPDATED	CS241	12.6.88			

FINISH: BLACK

CUSTOMER DWG FOR REFERENCE ONLY

DR. I. JOHNSON

CH. R. J. S.

APP. B. J.

TERMINAL HOUSE STANNORE MIDDX.

19/05/87

RELEASED FOR PUBLICATION 22/05/87

REPRODUCED BY BRITISH AND FOREIGN PATENTS AND/OR PATENTS PENDING.

ALL INTERNATIONAL RIGHTS RESERVED. ALL PRODUCTS MAY BE COVERED BY BRITISH AND FOREIGN PATENTS AND/OR PATENTS PENDING.

TOLERANCES UNLESS OTHERWISE STATED: DEC ± 0.5 ANGLES ± 1°

SCALE: LOC SIZE DWG. NO. C344074

REV SHEET B 1/1