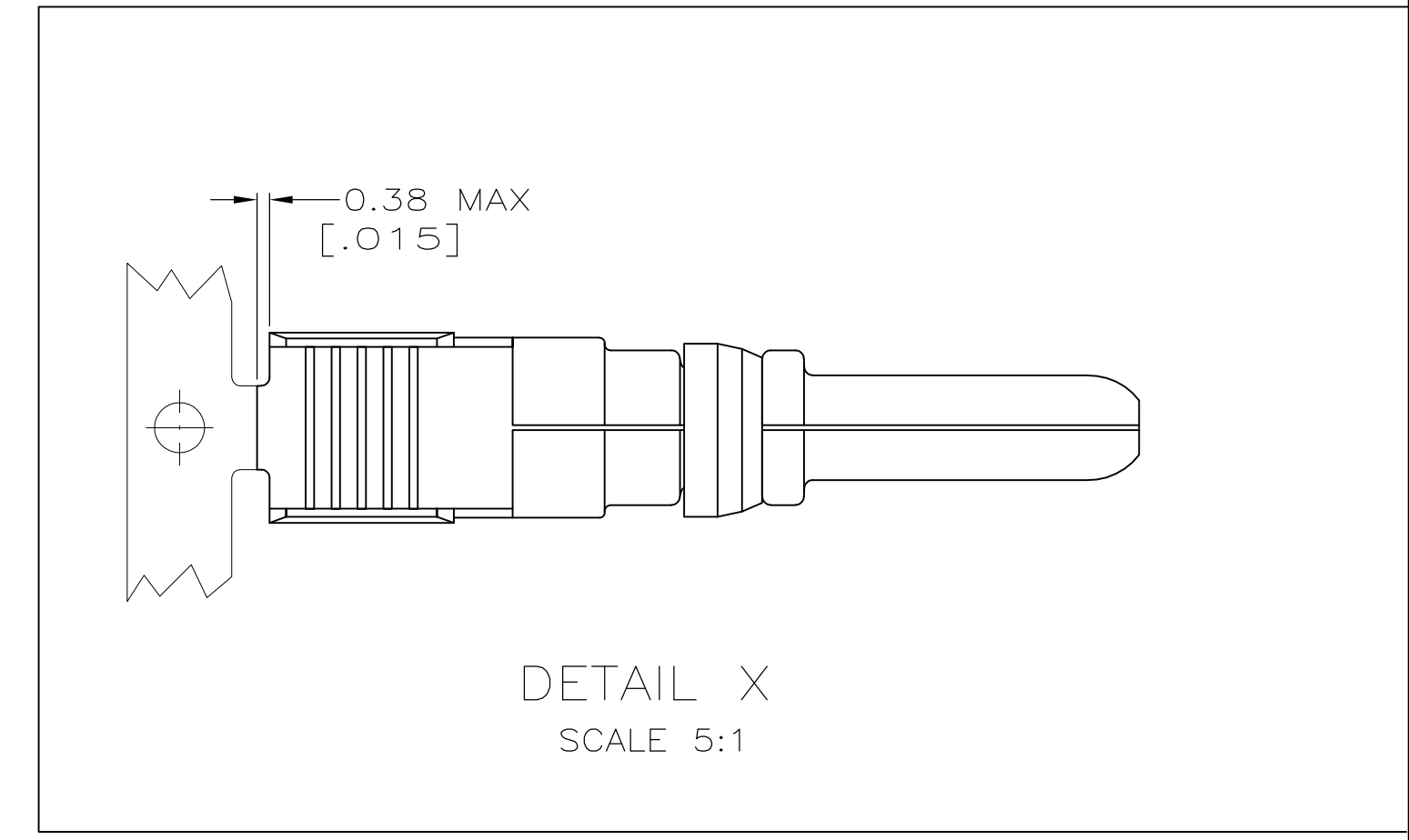
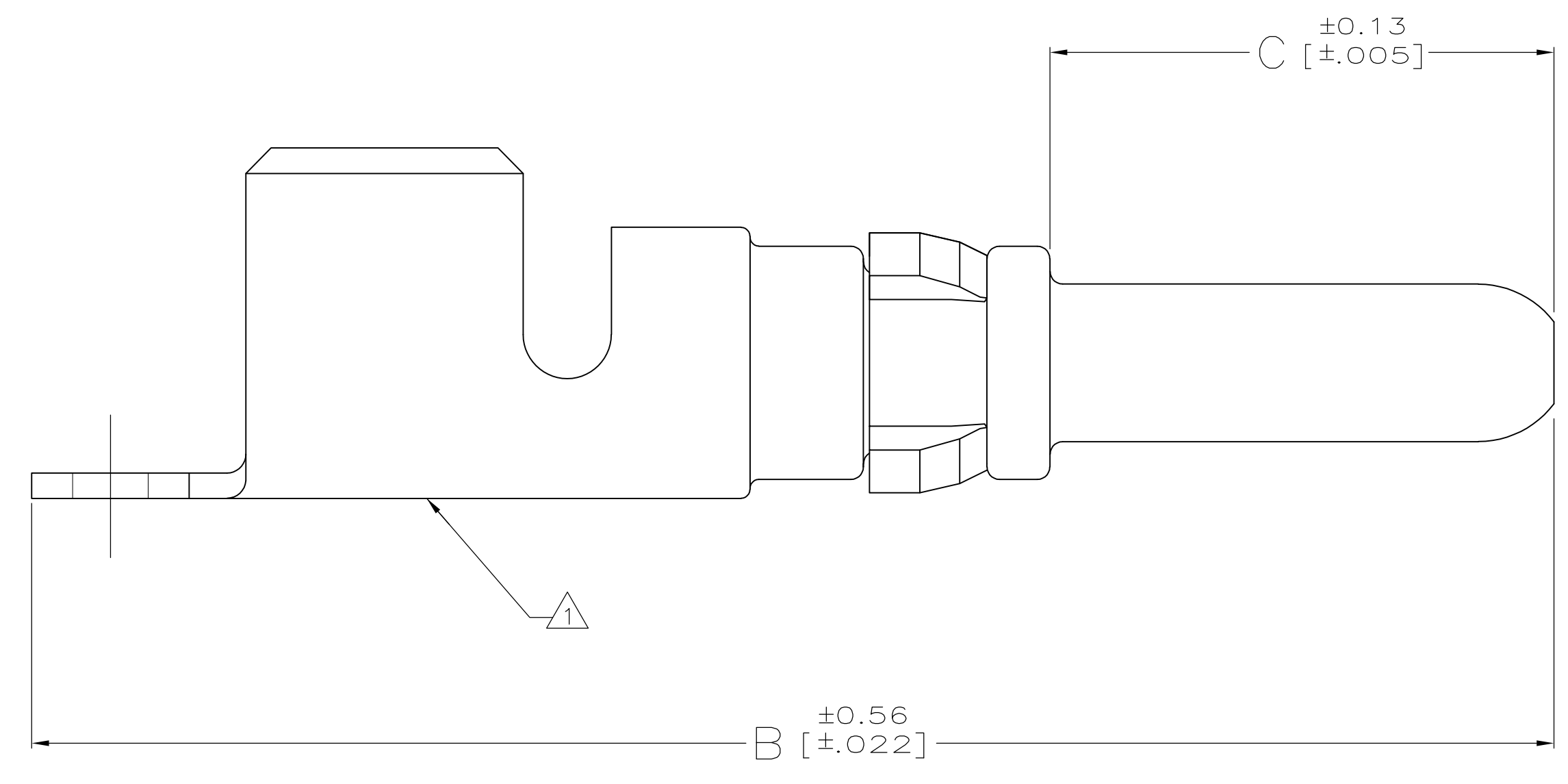
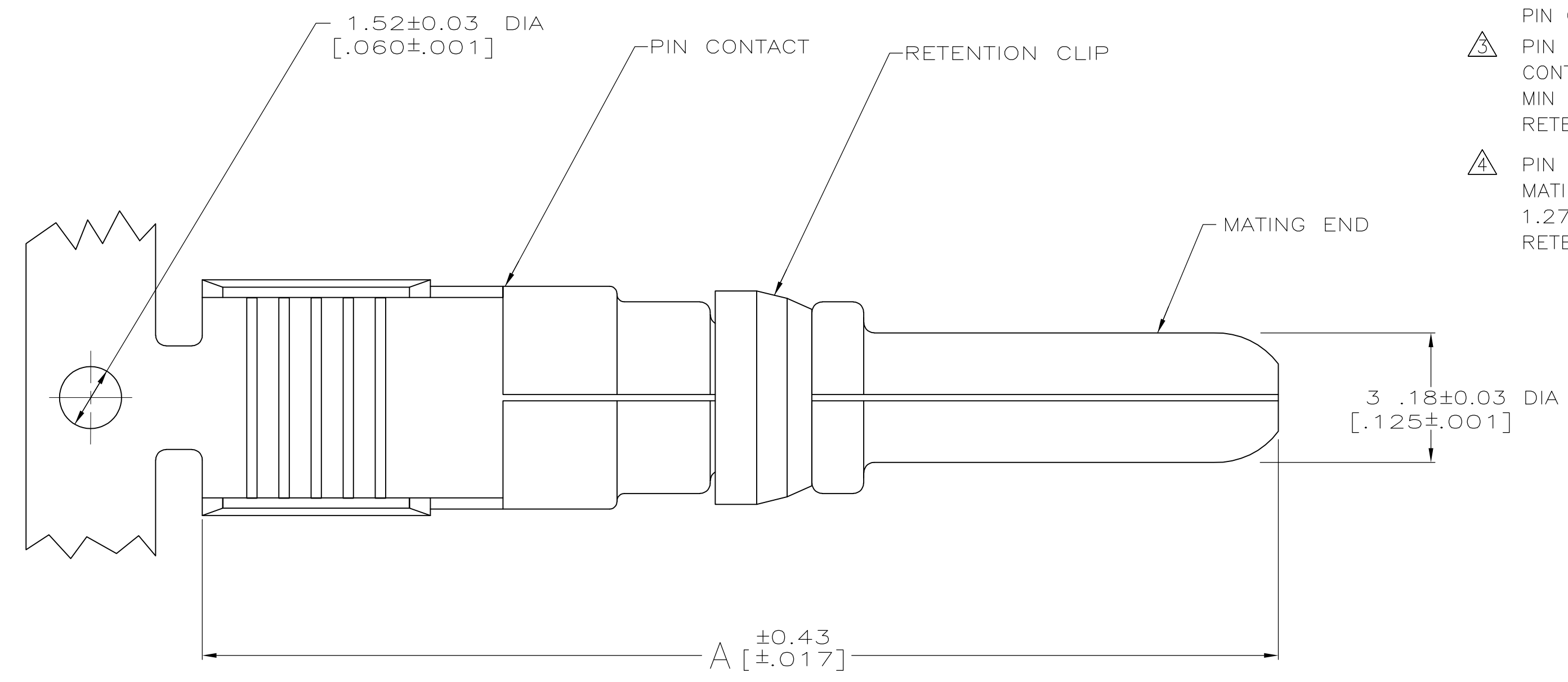


- ⚠ WIRE SIZE AND AMP LOGO APPEAR ON OUTSIDE OF WIRE BARREL.
- ⚠ RETENTION CLIP: PHOSPHOR BRONZE PER QQ-B-750.
PIN CONTACT: COPPER PER QQ-C-576.
- ⚠ PIN CONTACT: 0.76 μ m [.000030] MIN GOLD PER MIL-G-45204 ON CONTACT MATING END, GOLD FLASH ON REMAINDER, ALL OVER 1.27 μ m [.000050] MIN NICKEL PER QQ-N-390.
RETENTION CLIP: 2.54 μ m [.000100] MIN NICKEL PER QQ-N-290.
- ⚠ PIN CONTACT: 5.08 μ m [.000200] MIN SILVER PER QQ-S-365 ON CONTACT MATING END, 1.27 μ m [.000050] MIN SILVER ON REMAINDER, ALL OVER 1.27 μ m [.000050] MIN NICKEL PER QQ-N-290.
RETENTION CLIP: 2.54 μ m [.000100] MIN NICKEL PER QQ-N-290.



3	12.32 [.485]	-	28.52 [1.123]	DETAIL X	213841-8
4	12.32 [.485]	-	28.52 [1.123]	DETAIL X	213841-7
3	12.32 [.485]	32.84 [1.293]	28.52 [1.123]	-	213841-6
4	12.32 [.485]	32.84 [1.293]	28.52 [1.123]	-	213841-5
3	10.16 [.400]	-	26.37 [1.038]	DETAIL X	213841-4
4	10.16 [.400]	-	26.37 [1.038]	DETAIL X	213841-3
3	10.16 [.400]	30.68 [1.208]	26.37 [1.038]	-	213841-2
4	10.16 [.400]	30.68 [1.208]	26.37 [1.038]	-	213841-1
FINISH	C	B	A	LOOSE PIECE	PART NUMBER

THIS DRAWING IS A CONTROLLED DOCUMENT.

DIMENSIONS: mm(INCHES)	TOLERANCES UNLESS OTHERWISE SPECIFIED: 0 PLC ± - 2 PLC ± - 3 PLC ± - 4 PLC ± - ANGLES ± -	DWN: C. OBERMAN 21 MAR 96 CHK: R. STONE 25 MAR 96 APVD: G. STEINHAUER 26 MAR 96 NAME:	STE TE Connectivity
MATERIAL: ⚠	FINISH: SEE TABLE	PRODUCT SPEC: APPLICATION SPEC: WEIGHT: -	PIN CONTACT ASSEMBLY 8-10 AWG, POWERBAND, METRIMATE
CUSTOMER DRAWING		SIZE: A1 CAGE CODE: 00779 DRAWING NO: 213841	RESTRICTED TO: - SCALE: 10:1 SHEET: 1 OF 1 REV: B1