

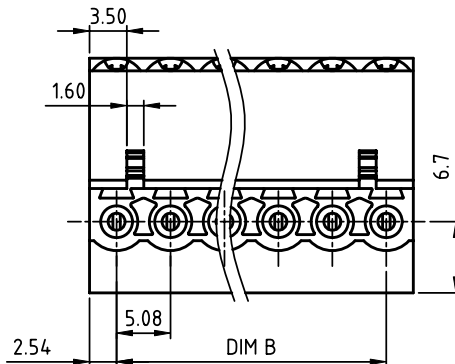
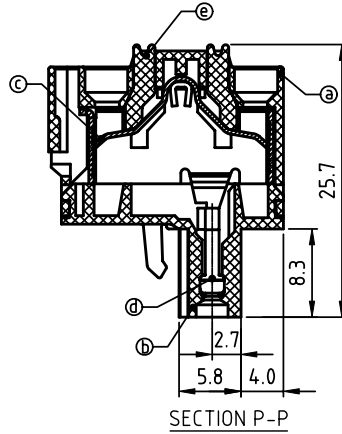
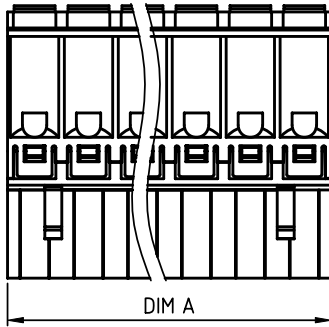
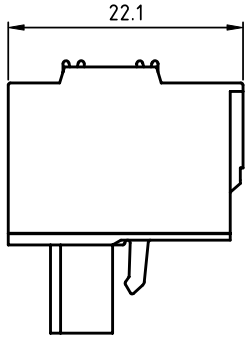
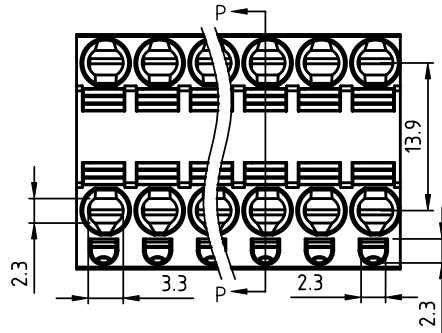
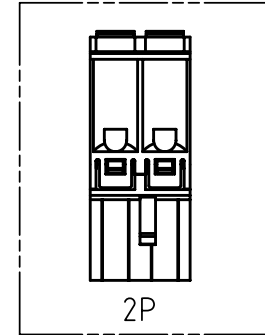
PRODUCT NUMBER	PITCH
NFxx50x000J0G	5.08 mm

N = Number of poles
 Dim A=Nx5.08
 Dim B=(N-1)x5.08

Poles	Tolerance
2P-4P	±0.15
5P-8P	±0.20
9P-12P	±0.25
13P-15P	±0.30
16P-18P	±0.35
19P-24P	±0.40

PART NO.: NF xx 5 0 x 0 00J0 G

	Color	RoHS compliant (lead<4%) In copper Alloy
Solid block	0 Black (RAL9005)	
No. of poles	2 Red (RAL3001/D)	
02 2 poles	3 Orange(RAL2011/P)	
03 3 poles	4 Yellow(RAL1018/A)	
...	5 Green(RAL6018/T)	
24 24 poles	6 Blue (RAL5015/A)	
	8 Grey(RAL7035/D)	
	9 White(RAL1102)	
	C Green(RAL6018/U)	



Material

- Item a Top body:Thermoplastic (UL94V-0)
- Item b Bottom body:Thermoplastic (UL94V-0)
- Item c Spring clamp:Stainless Steel
- Item d Female contact: PhBz (CuSn) Tin plated
- Item e Lever:Thermoplastic (UL94V-0) Orange(RAL2011/P)

Electrical

- Voltage rating: cULus 300VAC
- Current rating: 8A
- Solid wire: 12-26 AWG
- Stranded wire: 12-26AWG
- Wire strip length: 11-12mm
- Withstanding Voltage: 1.6KV
- Operating temperature: -40°C to +115°C
- Safety Approval: cULus

mat'l. code		surface ASME Y14.5	tolerance ASME Y14.5	projection	product family TERMINAL BLOCK
ltr	ecn no	dr	date	 MM	title TERMINAL BLOCK SPRING CLAMP, PLUGGABLE PLUG
tolerances unless otherwise specified					
		angles	X.±0.5		dwg no NFxx50x000J0G sheet 1 of 1 size A4
		dr	X.X±0.3		
		enr	X.XX±0.1		
		chr			
		appd			type CUSTOMER Drawing
sheet index	revision sheet	A	1		