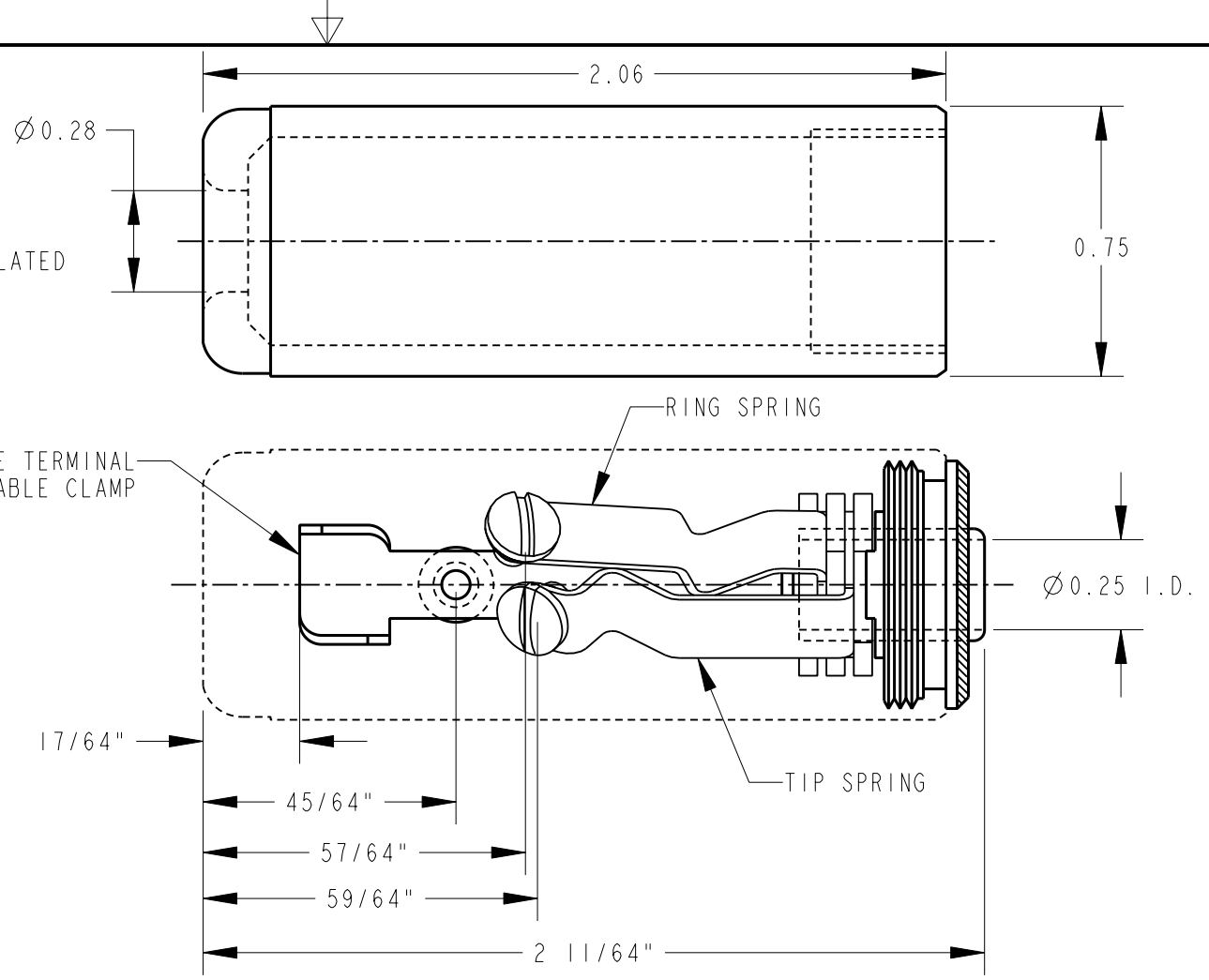
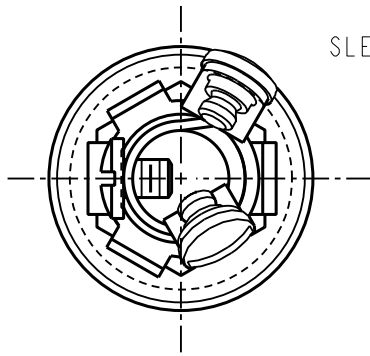


NOTES:
1. HANDLE SHOWN UNASSEMBLED.

2. MATERIALS
BUSHING - BRASS, NICKEL PLATED
INSULATORS - PHENOLIC
SPRINGS - SPECIAL COPPER ALLOY
CABLE CLAMP - COPPER ALLOY, NICKEL PLATED
SCREWS - STEEL, NICKEL PLATED
HANDLE - THERMOPLASTIC, BLACK

3. THIS PRODUCT IS RoHS COMPLIANT.



CUSTOMER DRAWING

REV	ECO NUMBER	DATE	BY	APVD
A	REDRAWN	7/10/14	TJK	TJK
REVISIONS				

★ STAR SYMBOL DENOTES CRITICAL DIMENSION

UNLESS OTHERWISE SPECIFIED

1. ALL DIMENSIONS IN INCHES
- TWO PLACE DECIMALS ±0.01
- THREE PLACE DECIMALS ±0.005
- ANGLES ±1°
- ALL DIA. CONCENTRIC WITHIN 0.005 T.I.R.

2. FEATURES ON THE SAME CENTERLINE MUST BE ALIGNED WITHIN ±0.002

3. REMOVE ALL BURRS

DO NOT SCALE DRAWING

THIS DRAWING DESCRIBES A DESIGN CONSIDERED PROPRIETARY IN NATURE, DEVELOPED AND MANUFACTURED BY SWITCHCRAFT INC. AND IS RELEASED ON A CONFIDENTIAL BASIS FOR IDENTIFICATION PURPOSES ONLY.									
SIZE		WIDTH		MULT		LBS/M		TEMPER	
FINISH						MATERIAL			
SPEC No.						SPEC No.			
FIRST USED ON				SCALE					
				DRAWING SCALE					
DATE DRAWN	BY	CHKD	APVD	Switchcraft®					
10-Jul-14	TJK	TJK	TJK						
		7/10/14	7/10/14	SHEET		OF			
NAME						PART No.		REV	
3 CONDUCTOR EXTENSION JAX						830		A	