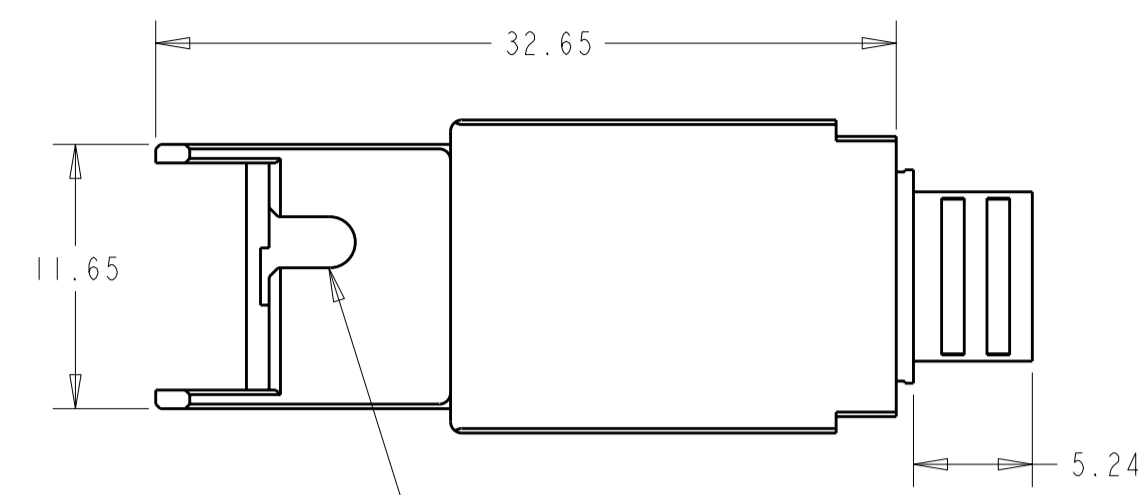
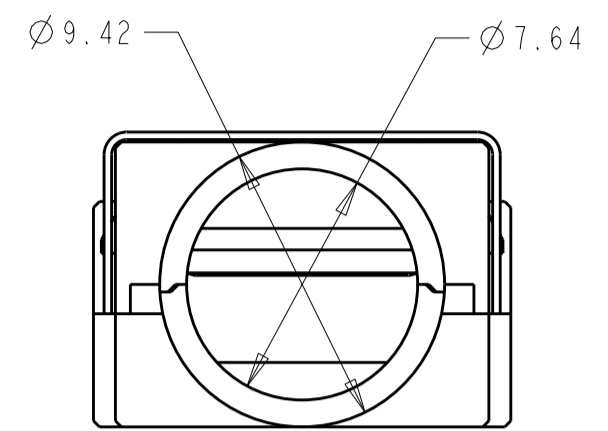


THIS DRAWING IS UNPUBLISHED. RELEASED FOR PUBLICATION 20
 © COPYRIGHT 20 BY TYCO ELECTRONICS CORPORATION. ALL RIGHTS RESERVED.

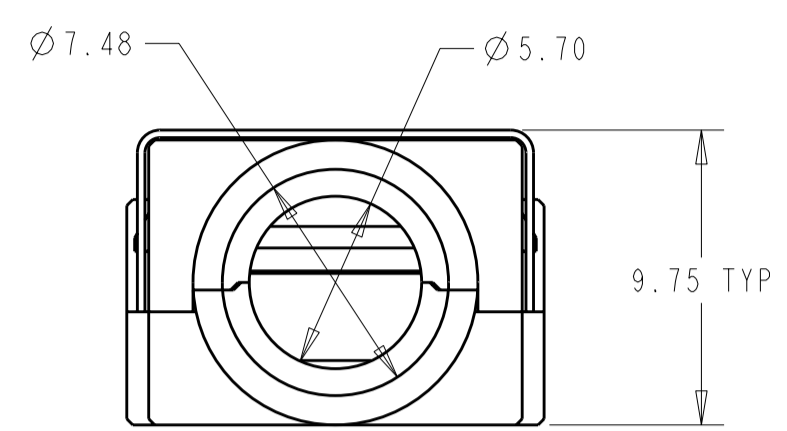
LOC	DIST	REVISIONS			
P	LTR	DESCRIPTION	DATE	DWN	APVD
GP	00	A	REVISED PER EC 0S13-0322-04	31AUG04	JG CR
		B	REVISED PER ECO-06-003158	03MAY06	BM SS
		BI	REVISED PER ECO-09-025699	09DEC2009	KK HMR



FIBRE CHANNEL KEYING
 BOTTOM VIEW
 SCALE 3:1

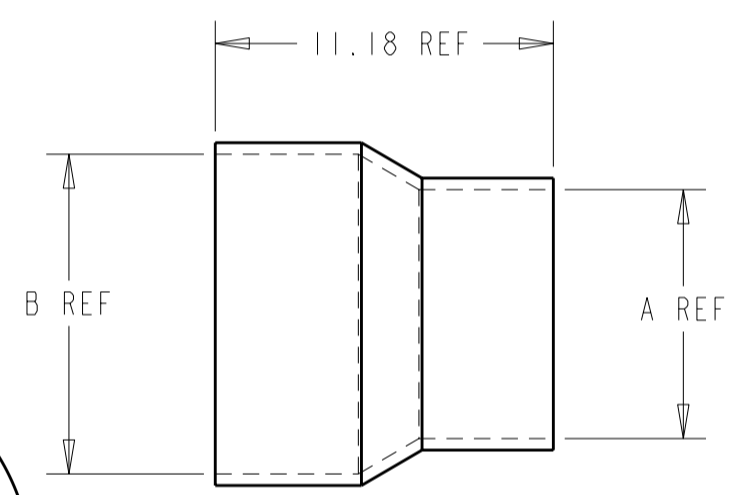


DIE CAST CABLE
 EXIT DIAMETERS
 1761073-3
 1761073-5
 SCALE 4:1

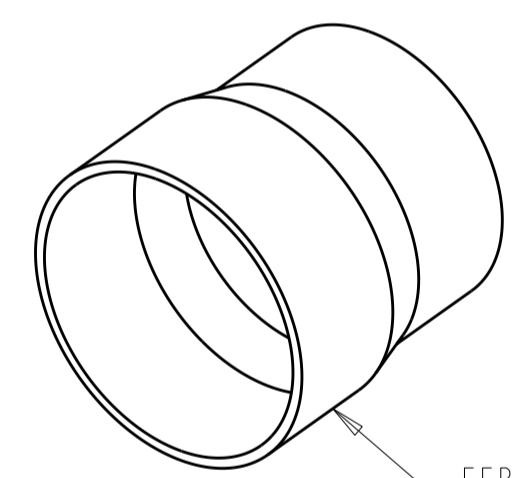


DIE CAST CABLE
 EXIT DIAMETERS
 1761073-1
 1761073-4
 SCALE 4:1

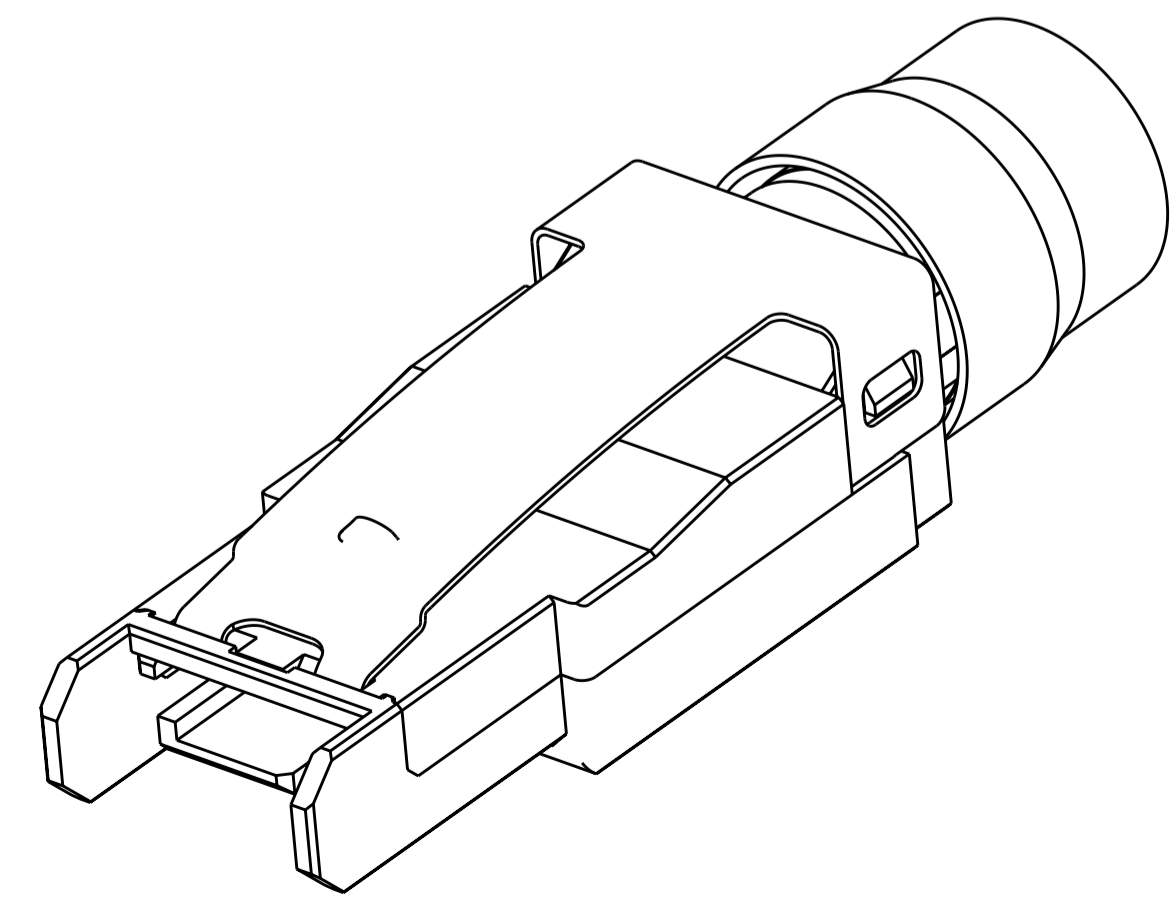
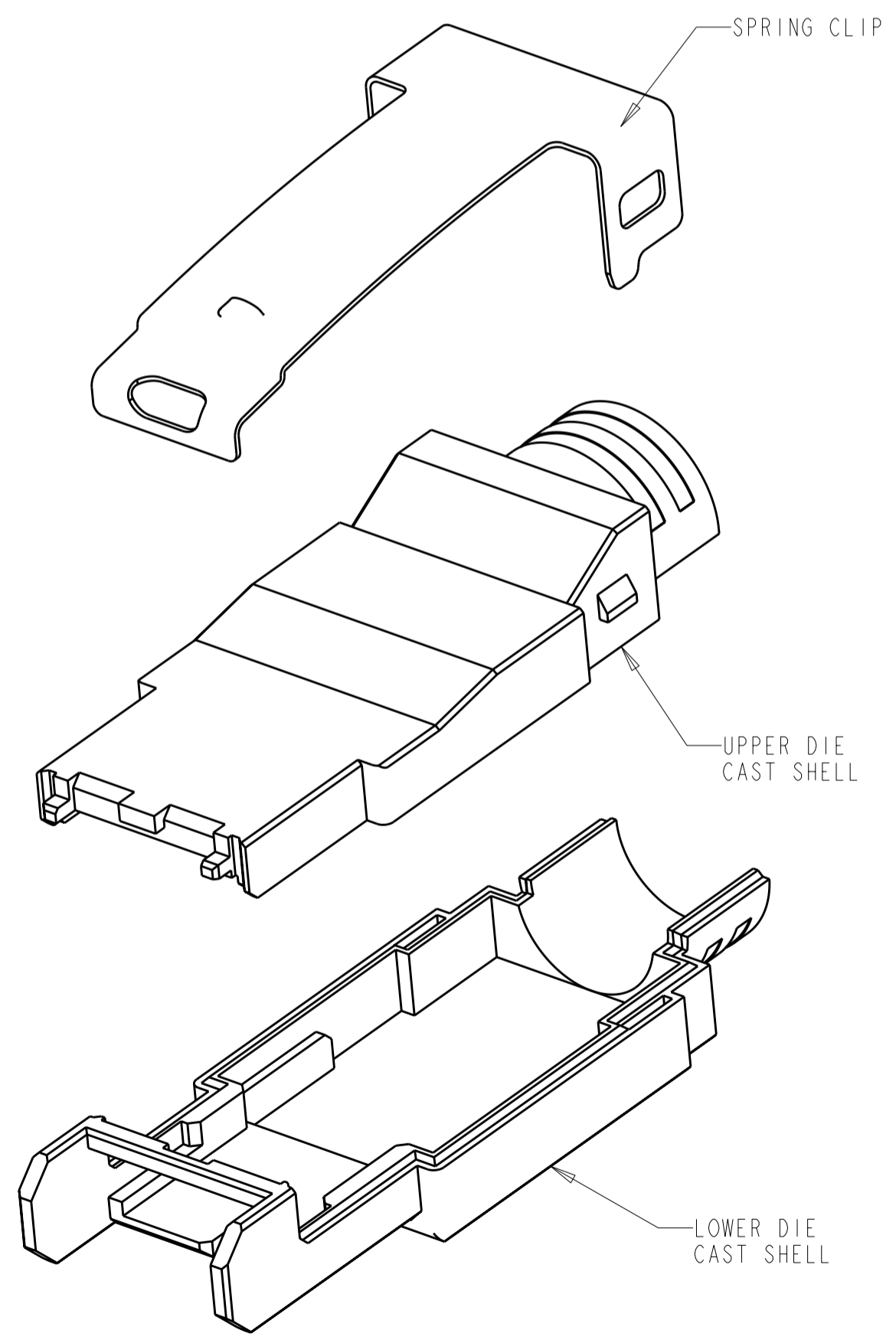
1. CABLE PLUG KIT DOES NOT INCLUDE CABLE, OVERMOLD, WIRE ORGANIZER OR PLUG PCB.
2. UPPER AND LOWER DIE CAST FINISH: 3-6 MICROMETERS MIN BRIGHT TIN OVER 1.27 MICROMETERS MIN NICKEL OVER 5.08 MICROMETERS MIN COPPER.
3. SPRING CLIP MATERIAL: PhBr. FINISH: 0.4 MICROMETERS MIN TIN.
4. BULK KIT PACKAGED, 1 PURCHASED PART NUMBER YIELDS 200 PLUG ASSEMBLIES.
5. BOTTOM VIEW OF PCB APPLIES ONLY TO 14 POSITION APPLICATIONS. PAD SIZE AND LOCATION SAME AS SHOWN ON TOP VIEW.
6. FERRULE MATERIAL: STEEL FINISH: 5.1 MICROMETERS MIN BRIGHT TIN OR BRIGHT TIN LEAD OVER 2.5 MICROMETERS MIN COPPER.
7. FERRULE MATERIAL: STEEL. FINISH: 5.1 MICROMETERS MIN BRIGHT TIN OVER 2.5 MICROMETERS MIN COPPER.
8. OBSOLETE PARTS: OBSOLETE CIS STREAMLINING PER D.RENAUD/D.SINISI



SCALE 4:1



FERRULE
 [SHOWN FOR REFERENCE ONLY]



OBSOLETE 8	2 3 7	6.25	9.07	Ø8.26-9.02	1761073-6
	2 3 6	-	-	NO FERRULE, LARGE CABLE EXIT	1761073-5
	2 3 6	-	-	NO FERRULE, SMALL CABLE EXIT	1761073-4
	2 3 6	9.53	11.10	Ø8.26-9.02	1761073-3
	2 3 6	7.62	9.07	Ø5.46-6.22	1761073-1
	MATERIAL AND FINISH	A	B	RECOMMENDED CABLE Ø	PART NUMBER

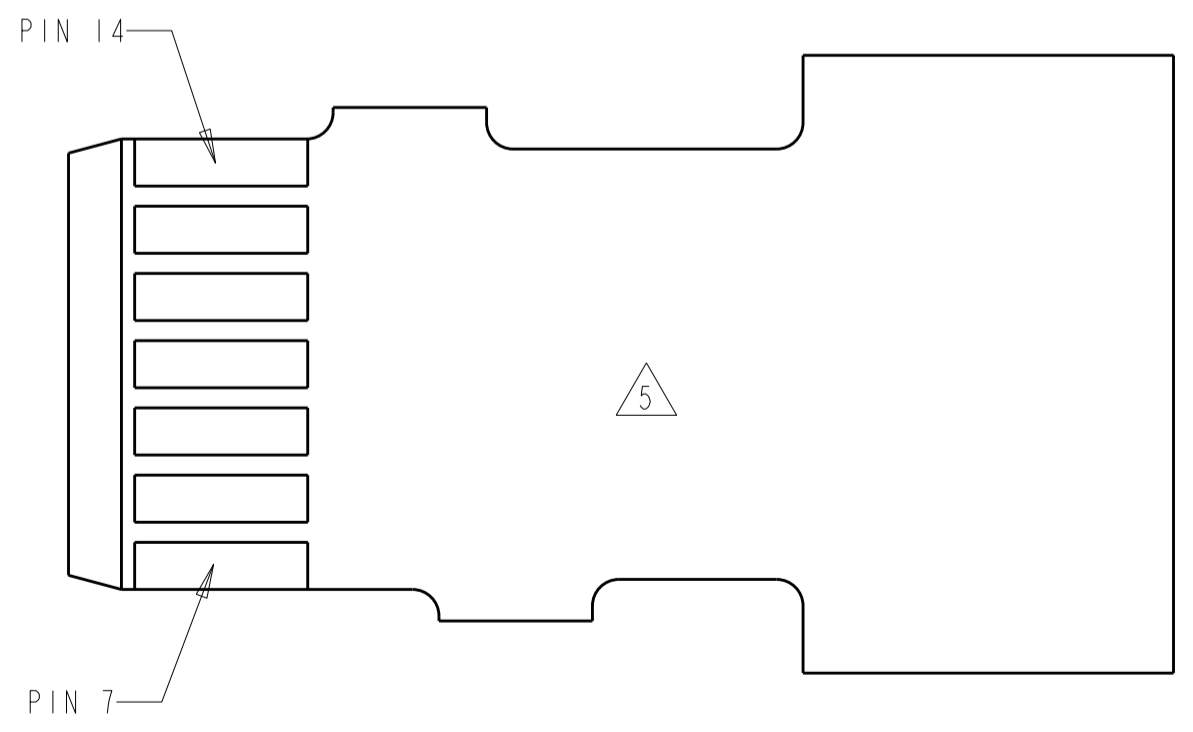
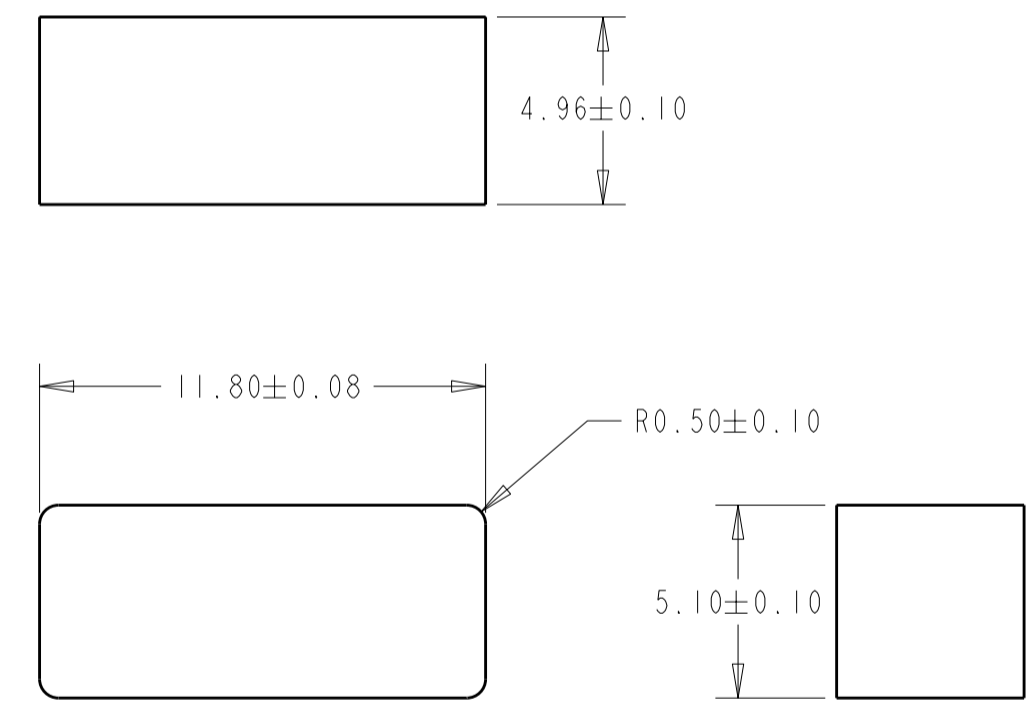
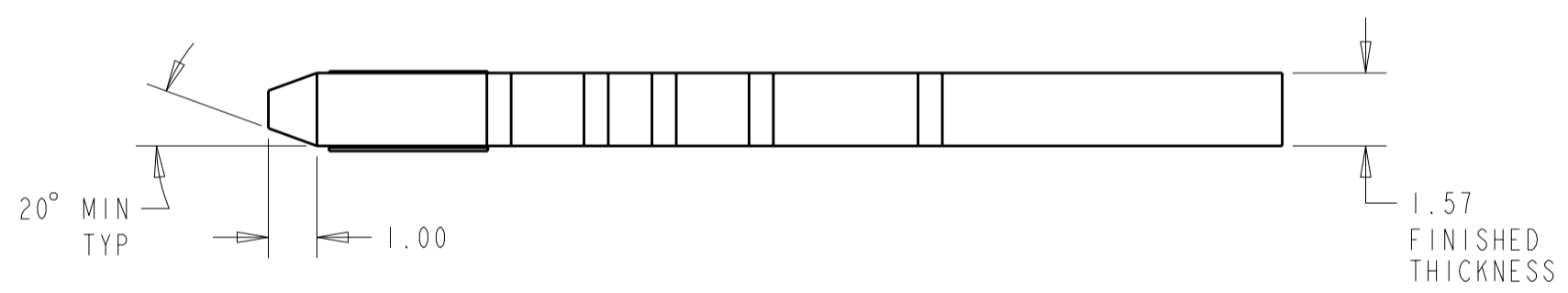
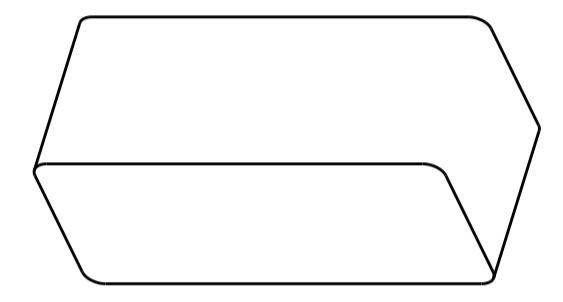
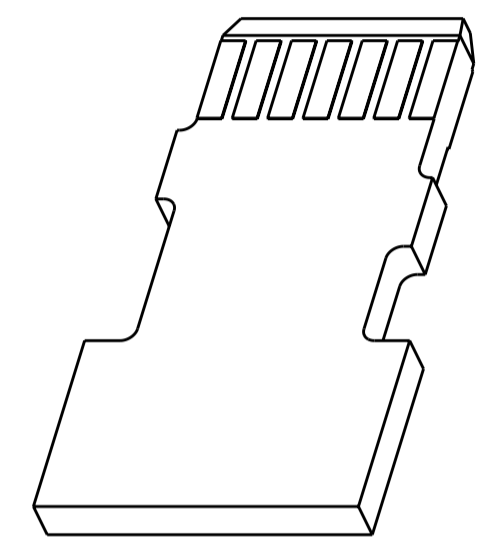
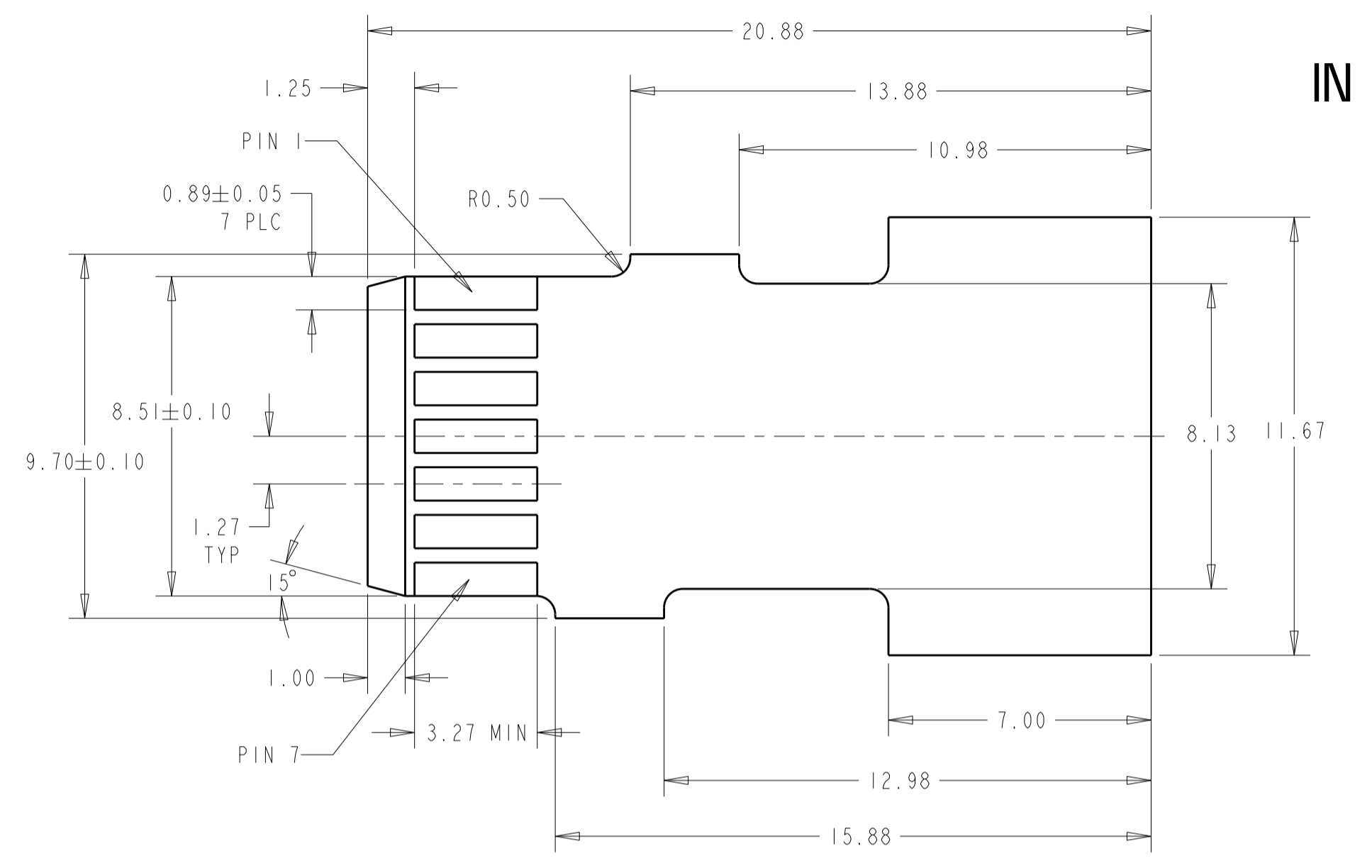
THIS DRAWING IS A CONTROLLED DOCUMENT FOR TYCO ELECTRONICS CORPORATION. IT IS SUBJECT TO CHANGE AND THE CONTROLLING ENGINEERING ORGANIZATION SHOULD BE CONTACTED FOR THE LATEST REVISION.

DIMENSIONS:	TOLERANCES UNLESS OTHERWISE SPECIFIED:	DWN	J. GERACE	23APR04	Tyco Electronics Corporation Harrisburg, PA 17105-3608
mm	0 PLC ± 1 PLC ± 2 PLC ±0.13 3 PLC ± 4 PLC ±	CHK	C. ROHDE	23APR04	
	ANGLES ±2° FINISH SEE TABLE	APVD	M. WALMSLEY	23APR04	
MATERIAL	SEE TABLE	PRODUCT SPEC	108-1965	APPLICATION SPEC	
		NAME	KIT, HSSDC2 PLUG FIBRE CHANNEL		RESTRICTED TO
		SIZE	A2	CAGE CODE	00779
		DRAWING NO	1761073		SCALE
		WEIGHT	-		5:1
		CUSTOMER DRAWING			SHEET
					1 OF 2
					REV
					BI

THIS DRAWING IS UNPUBLISHED. RELEASED FOR PUBLICATION 20
 © COPYRIGHT 20 BY TYCO ELECTRONICS CORPORATION. ALL RIGHTS RESERVED.

LOC	DIST	REVISIONS					
GP	00	P	LTR	DESCRIPTION	DATE	DWN	APVD
		-		SEE SHEET 1			

**PCB AND WIRE ORGANIZER
 ARE NOT INCLUDED
 IN THE CABLE PLUG KIT**



PCB PAD PLATING: 1.27µM MIN Au
 OVER 2.54µM MIN Ni

**PCB REFERENCE
 DIMENSIONS**

**WIRE ORGANIZER
 REFERENCE DIMENSIONS**

THIS DRAWING IS A CONTROLLED DOCUMENT FOR TYCO ELECTRONICS CORPORATION. IT IS SUBJECT TO CHANGE AND THE CONTROLLING ENGINEERING ORGANIZATION SHOULD BE CONTACTED FOR THE LATEST REVISION.		DWN J. GERACE 23APR04	Tyco Electronics Corporation Harrisburg, PA 17105-3608	
DIMENSIONS: mm		CHK C. ROHDE 23APR04	NAME KIT, HSSDC2 PLUG FIBRE CHANNEL	
TOLERANCES UNLESS OTHERWISE SPECIFIED:		APVD M. WALMSLEY 23APR04	SIZE A2	
0 PLC ±-		PRODUCT SPEC 108-1965	CAGE CODE 00779	DRAWING NO 1761073
1 PLC ±-		APPLICATION SPEC 114-13097	RESTRICTED TO -	
2 PLC ±0.13		WEIGHT -	SCALE 5:1	SHEET 2 OF 2
3 PLC ±-		MATERIAL SEE TABLE	REV B1	
4 PLC ±-				
ANGLES ±2°				
FINISH SEE TABLE		CUSTOMER DRAWING		