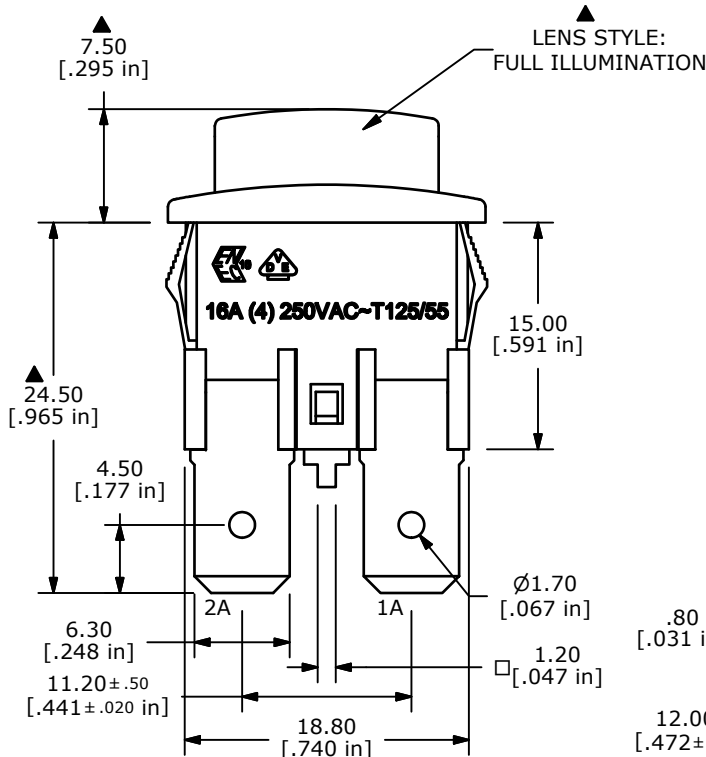
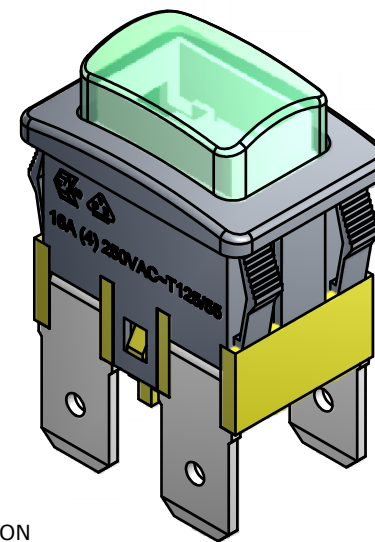
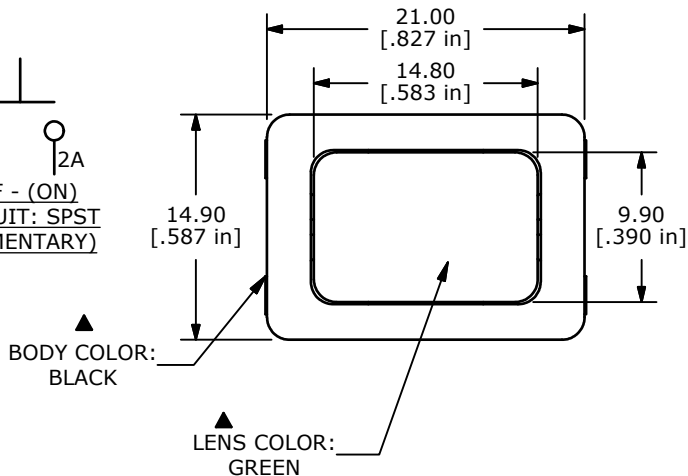
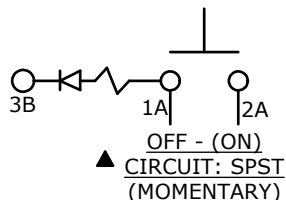


PANEL THICKNESS	X
0.75-1.25	19.2
1.25-2.00	19.4
2.00-3.00	19.8

RECOMMENDED
PANEL CUT-OUT

SWITCH FUNCTION	
POS. 1	POS. 2
OFF	(ON)
OPEN	1A-2A

(ON) = MOMENTARY



NOTES:

- ALL DIMENSIONS IN MM [INCH]
- GENERAL TOLERANCE: X.X=±0.4
X.XX=±0.25
- ELECTRICAL LIFE: 6,000 [cURus, CSA]
10,000 [VDE]
- CONTACT RESISTANCE: 20 mΩ MAX. INITIAL
- INSULATION RESISTANCE: 100 MΩ AT 500VDC
- OPERATING TEMPERATURE: -20°C TO +65°C [cURus, CSA]
-20°C TO +125°C [VDE]
- CONTACT RATING: 16A, 125VAC-250VAC, [cURus, CSA]
16(4)A, 250VAC, [VDE]
- DIELECTRIC STRENGTH: 1000V FOR 1 MINUTE
- ILLUMINATION VOLTAGE: 125V
- TERMINALS TO BE BRASS
- ▲ DENOTES CRITICAL PARAMETER
- 2002/95/EC (RoHS) COMPLIANT.



B	20347	ADD TERMINAL PLATING NOTE	12/14/11	BMA
A	20074	Release For Production	8/1/11	BGL
REV	PCR NO	DESCRIPTION	DATE	BY

TITLE PA4B4C1000-136				
SCALE 2:1	DATE 7/29/2011	DR BGL	DWG 14-PA4B4C1000136	REV B

THE INFORMATION CONTAINED IN THIS DOCUMENT IS PROPRIETARY TO E-SWITCH AND IS NOT TO BE COPIED OR TRANSFERRED