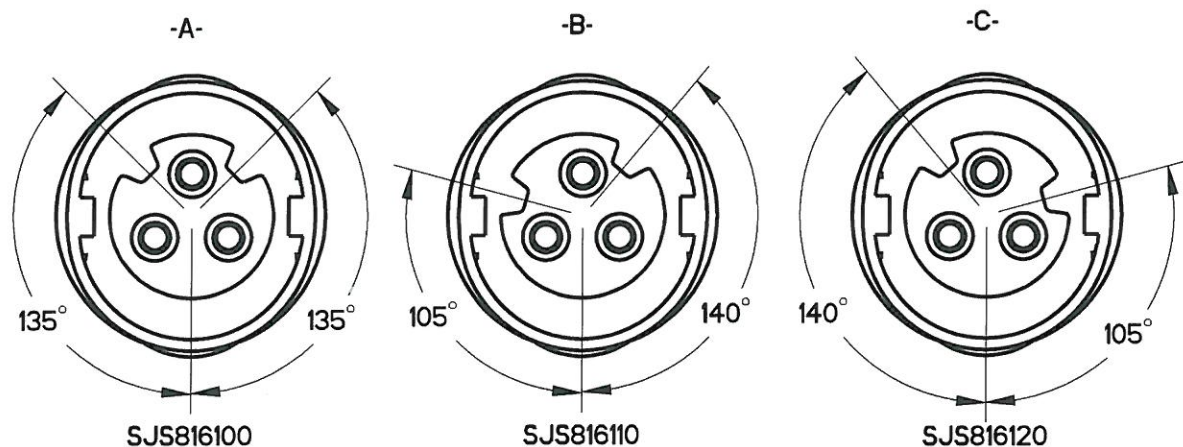
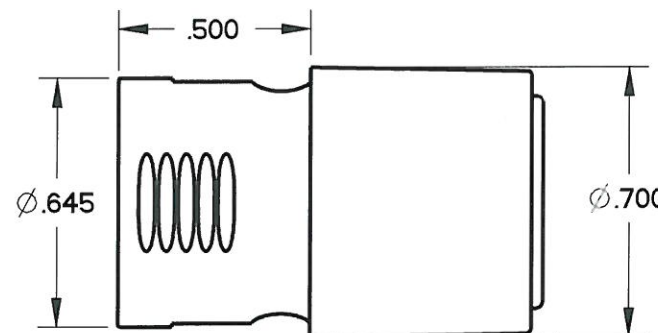
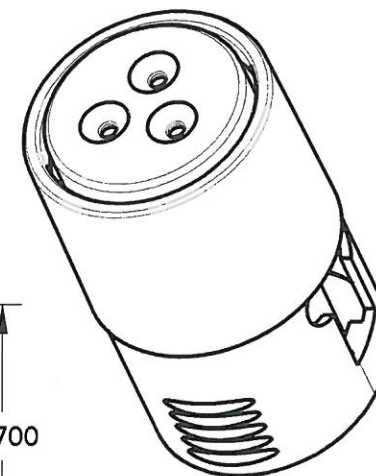


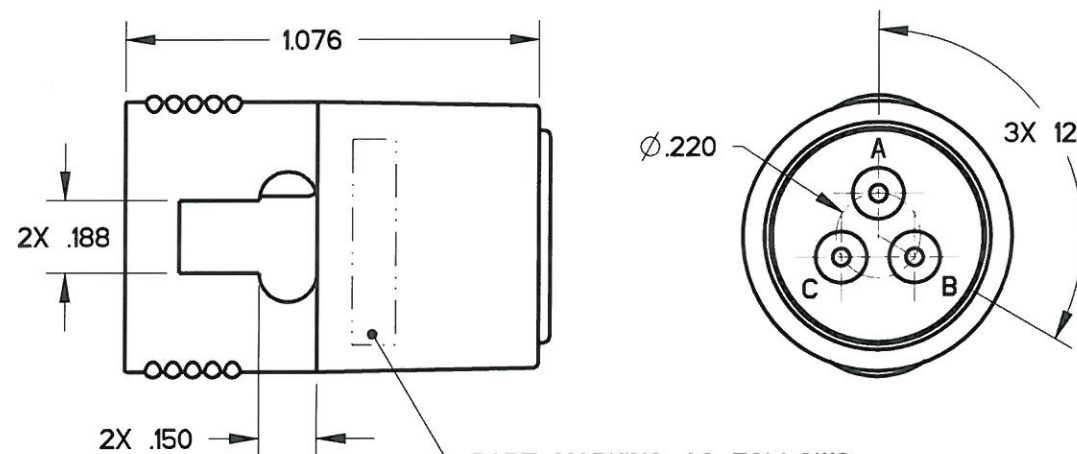
| REV | ECN | APP'D |
|-----|------|--------------------|
| - | 5791 | JT 04/11/06 |
| A | 5951 | JT 9/26/06 |
| B | 6109 | JT 8/27/07 |
| C | 6589 | <i>JT 10/12/10</i> |

NOTES:

- MATERIALS:
 HOUSING: PA 6/6
 CONTACT RETAINER: STAINLESS STEEL
 GROMMET: SILICONE RUBBER PER A-A-59588
- OPERATING RANGE:
 TEMPERATURE: -55 °C TO 95 °C
 INSULATION RESISTANCE: 5000 MEGOHMS MINIMUM
 DIELECTRIC WITHSTANDING VOLTAGE: 1500 VRMS SEA LEVEL
 600 VRMS @ 45,000 FT. ALTITUDE
- CURRENT RATING: 13 AMPS
 VIBRATION: PER EIA-364D METHOD 28, TEST CONDITION V.
 ALTITUDE IMMERSION: PER EIA-364D METHOD 3 @ 55,000 FT
 (FORMERLY MIL-STD-1344 METHOD 1044)
- ACCEPTS (3) M39029/56-352 SOCKET CONTACTS (NOT INCLUDED)
- CONTACT RETENTION - 20 LBS EACH



KEY CONFIGURATION SEE TABLE 1



PART MARKING AS FOLLOWS: DATE CODE

APCD YYWW
SJS8161XX

SEE TABLE 1 FOR FULL PART NUMBERS

| TABLE 1 - PART# SCHEME | | |
|------------------------|-----|-------|
| APCD PART# | KEY | COLOR |
| SJS816100 | A | RED |
| SJS816110 | B | WHITE |
| SJS816120 | C | BLUE |

| | | | | | |
|--|--|----------------------------------|---|-----------------------------|-----------------|
| DIMENSIONS ANSI Y14.5M UNITS: INCHES Pro/E FILE | TOLERANCES .XX ±0.01 .XXX ±0.005 ANGLES ±1.0° | PROJECTION | TITLE Amphenol Pcd SPECIFICATION DRAWING | | |
| | | | ENGR S. STONE 01/27/06 | | |
| ORIGINAL | THIS DOCUMENT CONTAINS PROPRIETARY INFORMATION WHICH IS THE CONFIDENTIAL PROPERTY OF AMPHENOL PCD INC., BEVERLY, MA | CHKD <i>[Signature]</i> 10/12/10 | SIZE B | DWG NO. SJS816100 | REV C |
| | | APPD <i>[Signature]</i> 10/12/10 | CODE: 58982 | SCALE: 2:1 | SHEET 1 OF 1 |