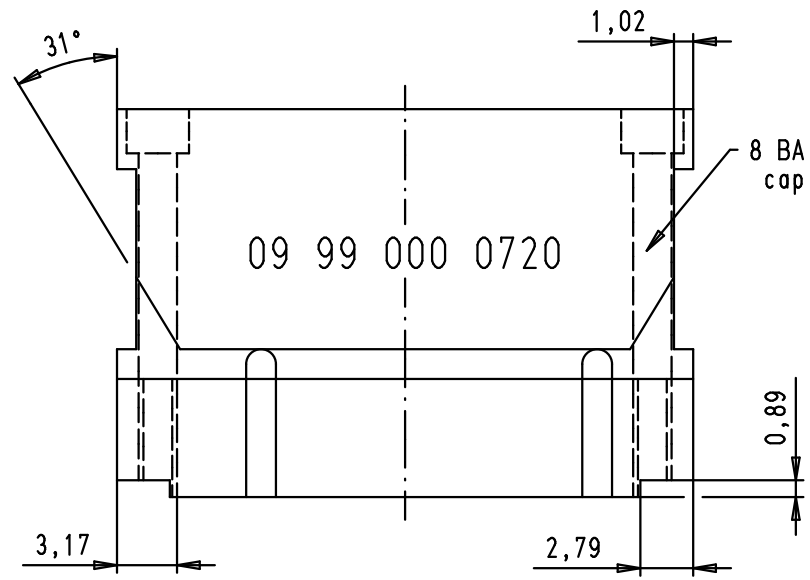
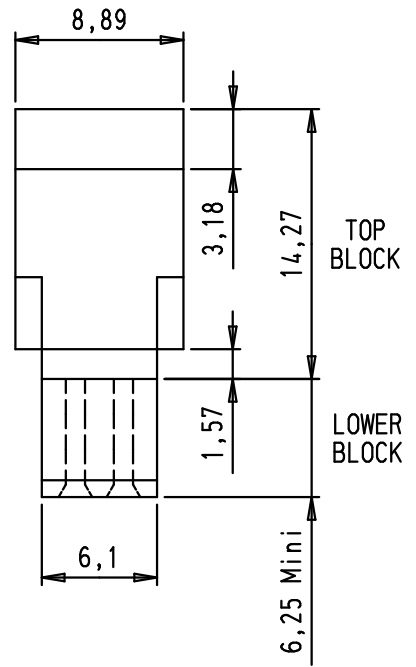


5 4 3 2 1



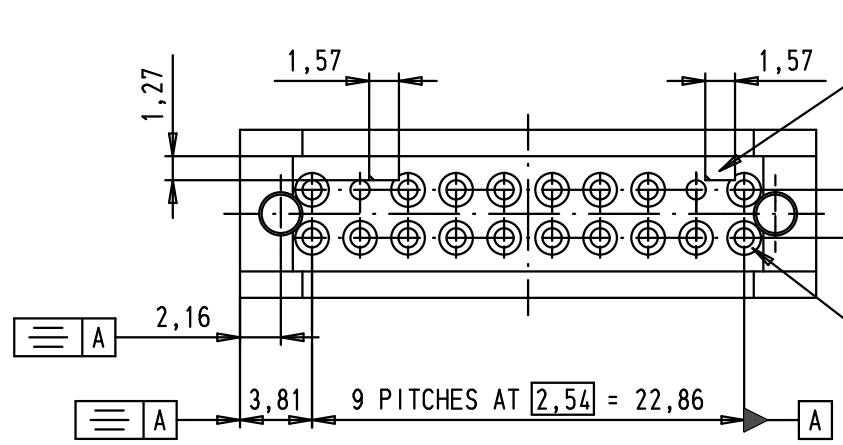
8 BA Socket head cap screws x 2

09 99 000 0720



TOP BLOCK

LOWER BLOCK



2 slots for connector polarizing keys

In lower block only :  
Drill :  $\phi$  1,02  
Countersink :  $\phi$  1,78 Mini

Material: hardened tool steel  
BA = British Association Standard Thread

D

C

B

A

			Dot.	Name	<p>All Dim. in mm Orig. Size DIN A 4</p>	20 poles press-in top tool insert for SEK male header standard press-in connector	Maßstab/ Scale	
			Detail.	24/10/06			PK	2,5:1
			Insp.					
			Stand.					
33805	24/10/06	PK	HARTING EURL F-95972 Paris				Blatt/ Page	
Mod.	Dot.	Name					Sub.	1 / 1
						TB 09 99 000 0720		