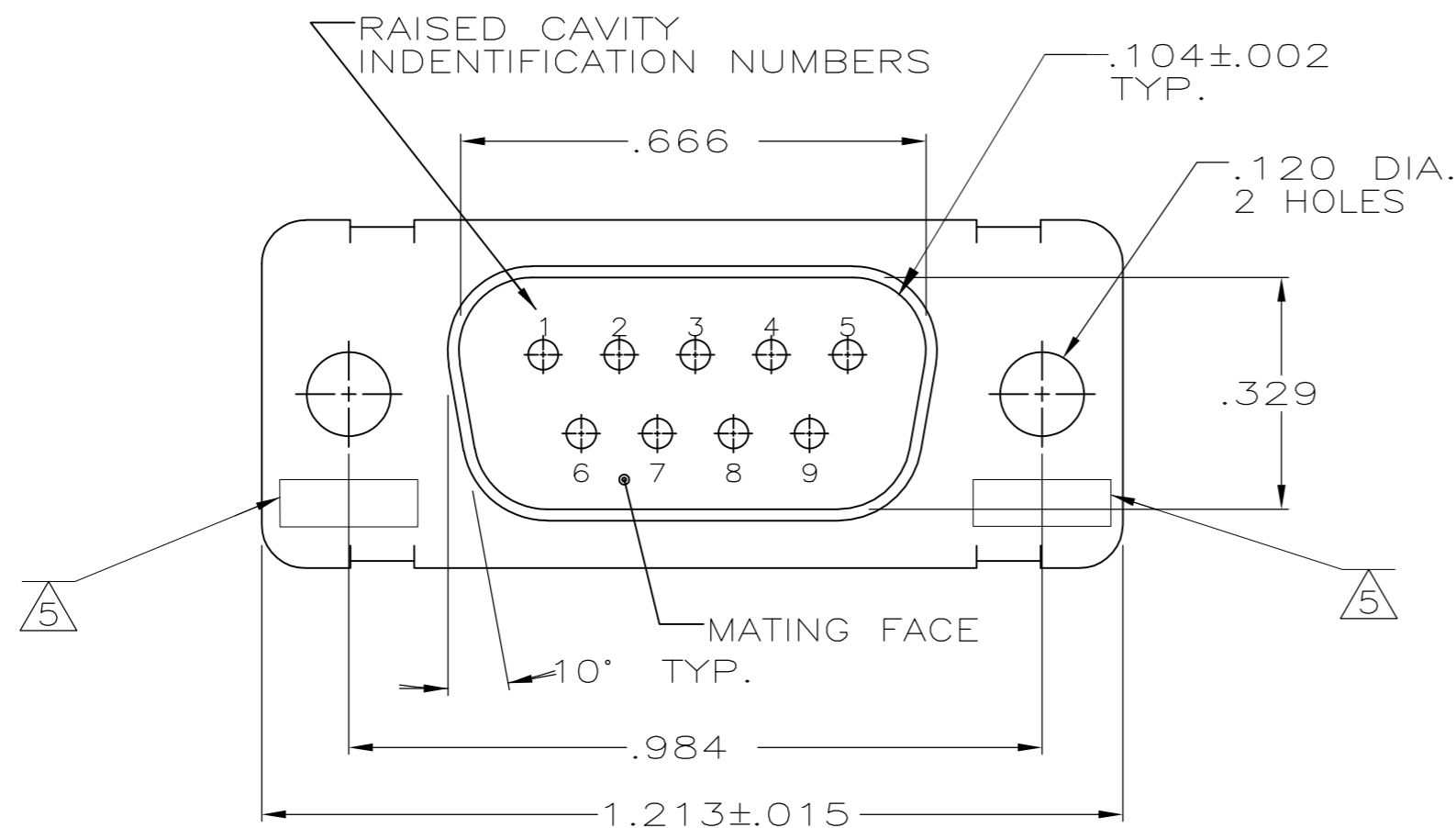
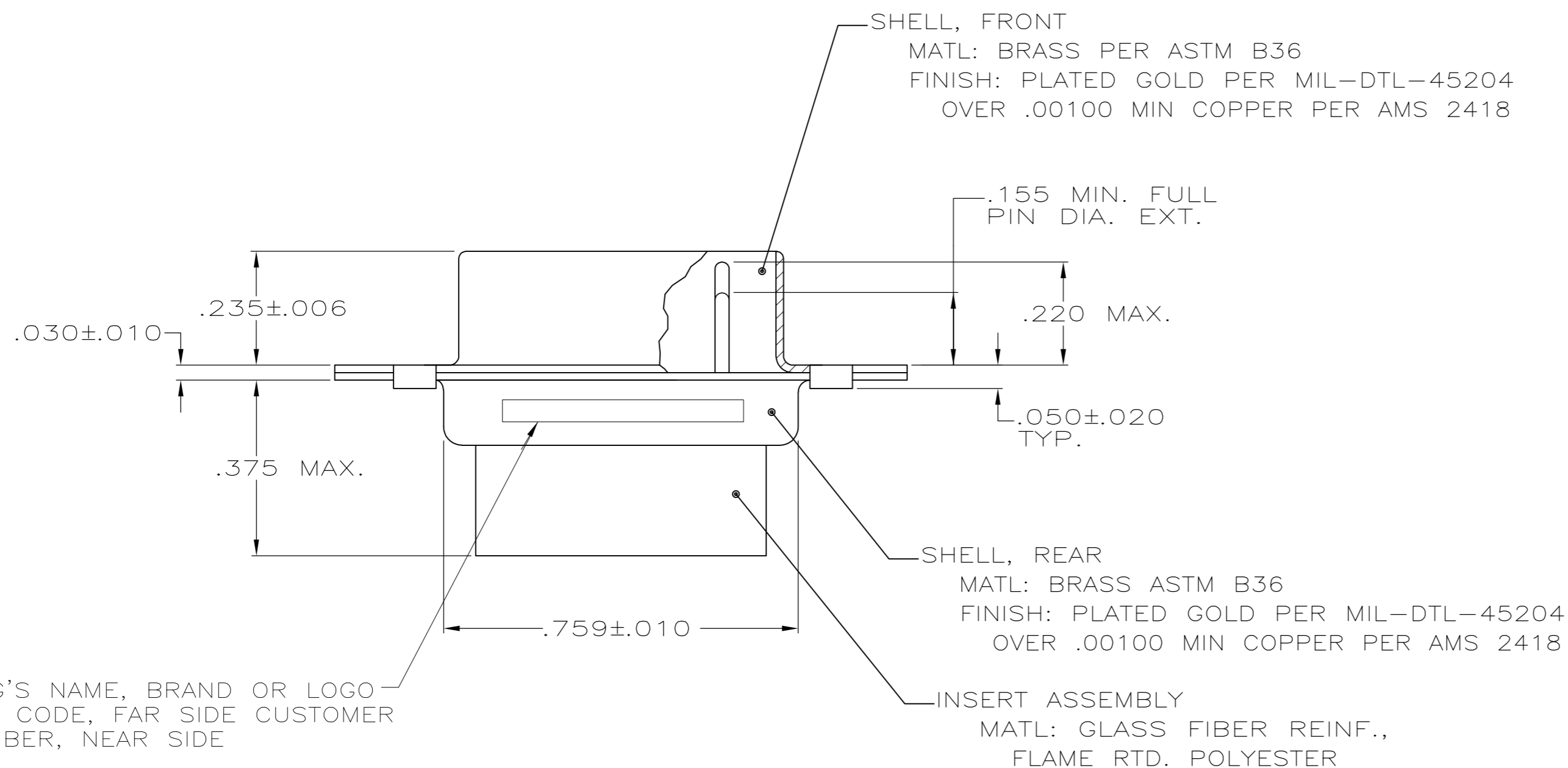


THIS DRAWING IS UNPUBLISHED. RELEASED FOR PUBLICATION
 © COPYRIGHT - By - ALL RIGHTS RESERVED.

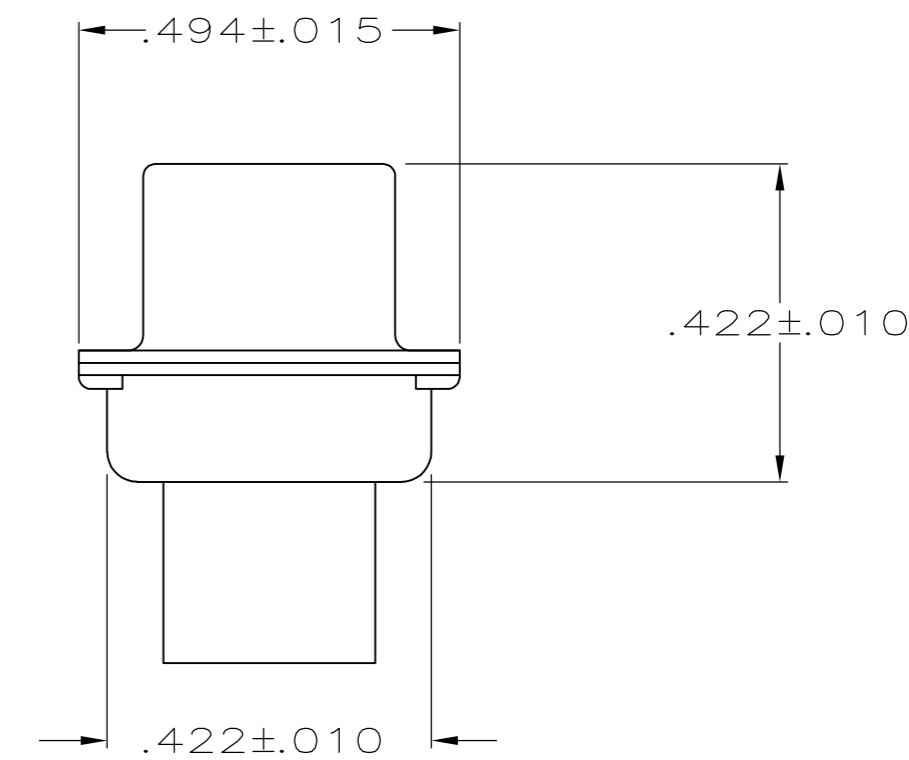
REVISIONS				
P	LTR	DESCRIPTION	DATE	APVD
E		REVISED PER ECO-16-013269	29SEP16	RS CT



1. THIS PLUG WILL MATE WITH ANY 9 POSN., SIZE 1 RECEPTACLE IN THE AMPLIMITE SERIES.
 2. MAXIMUM WIRE INSULATION USED WITH THIS CONNECTOR IS .068 DIA.
 3. BE-CU RETENTION CLIPS ARE INCLUDED IN INSERT.
 4. CONNECTOR SUPPLIED WITHOUT CONTACTS; SHOWN FOR ILLUSTRATION ONLY.
- ⚠ UL/CSA DESIGNATION STAMPED IN THIS AREA.



MARK MFG'S NAME, BRAND OR LOGO AND DATE CODE, FAR SIDE CUSTOMER PART NUMBER, NEAR SIDE



1A01-006PHW	1-211618-1
1A01-006PHA	211618-1
CUSTOMER PART NO	PART NO

THIS DRAWING IS A CONTROLLED DOCUMENT.		DWN T. SHUEY 11-16-87	STE TE Connectivity	
DIMENSIONS: INCHES		CHK F.C.BALLEW III 11-30-87		
TOLERANCES UNLESS OTHERWISE SPECIFIED:		APVD F.C.BALLEW III 11-30-87	NAME	
0 PLC ± -		PRODUCT SPEC	PLUG ASSEMBLY, AMPLIMITE	
1 PLC ± -		APPLICATION SPEC	9 POSN, SIZE 1, SERIES 109	
2 PLC ± -			NON-MAGNETIC	
3 PLC ± .005			SIZE	CAGE CODE
4 PLC ± -			A2	00779
ANGLES ± 0'30'			DRAWING NO	RESTRICTED TO
MATERIAL SEE CALLOUTS		FINISH SEE CALLOUTS	WEIGHT 0.000000	SCALE 4:1
			CUSTOMER DRAWING	SHEET 1 of 1
				REV E