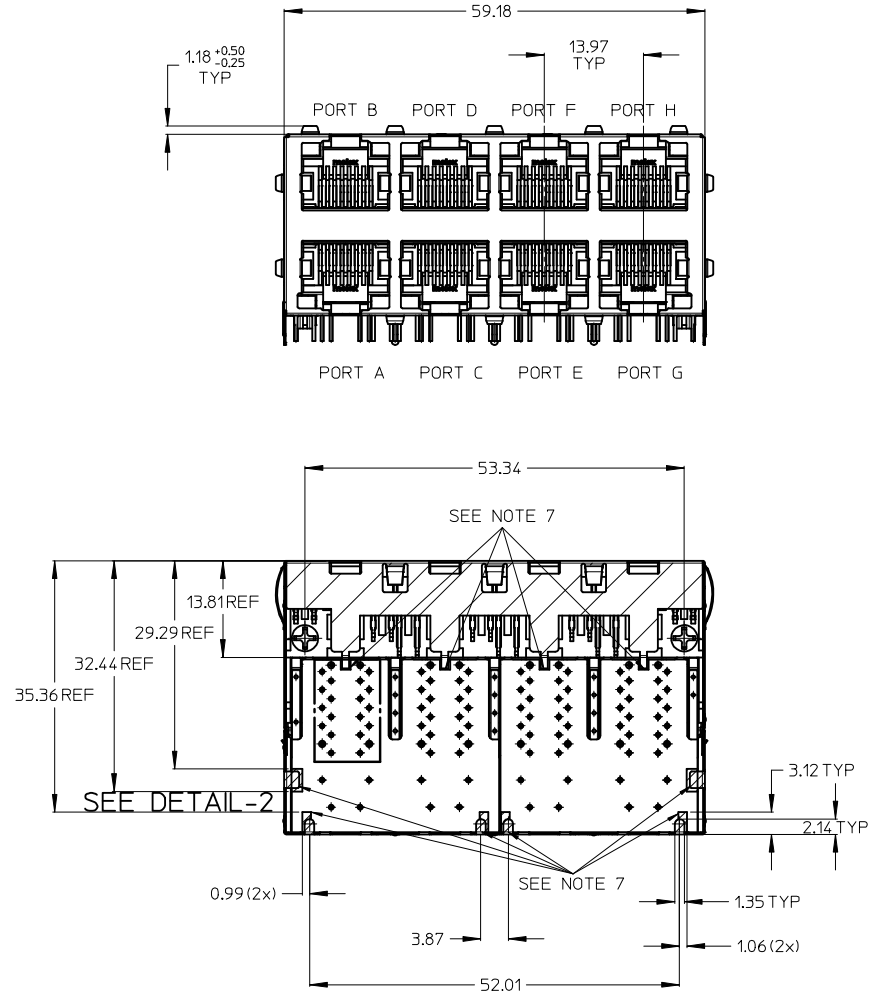
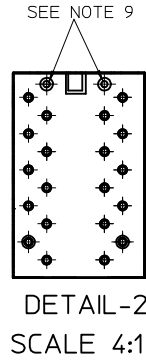
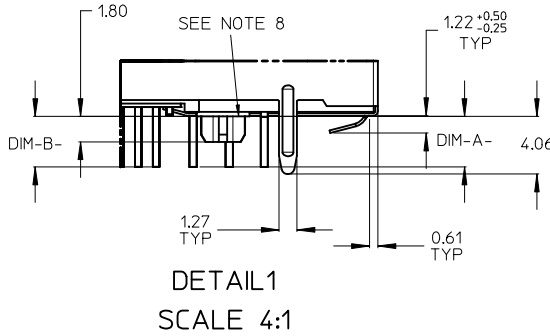
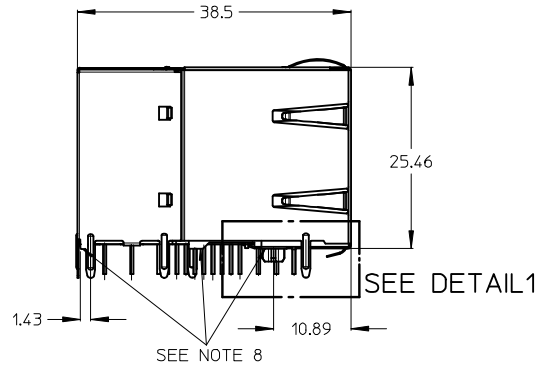


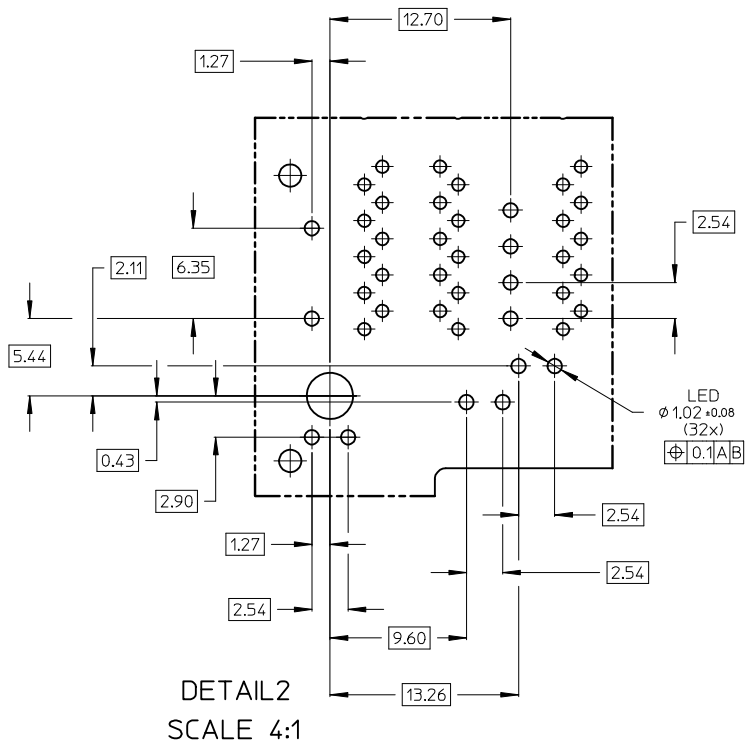
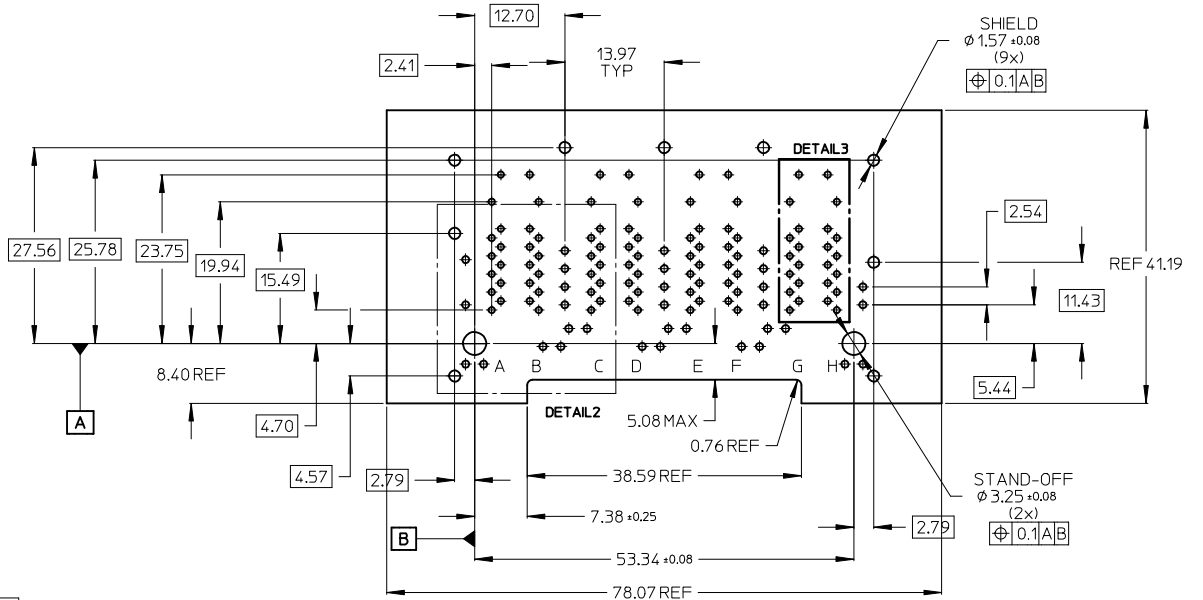
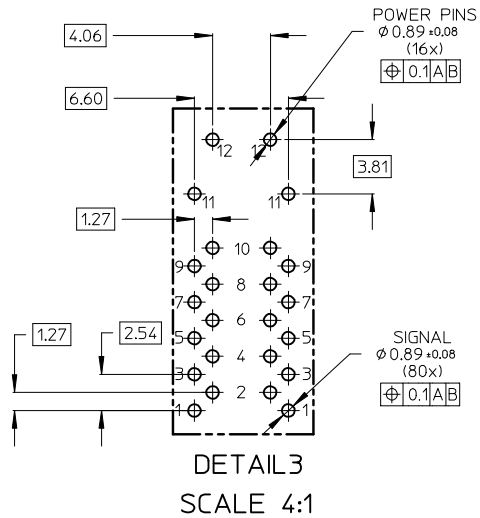
**GIGABIT 8 PORT MAGNETIC JACK WITH LED's
AND INTEGRATED POWER OVER ETHERNET TRANSFORMERS
ACCORDING TO IEEE Std802.3-2012 FOR PSE (30 WATT) APPLICATIONS**



NOTES:

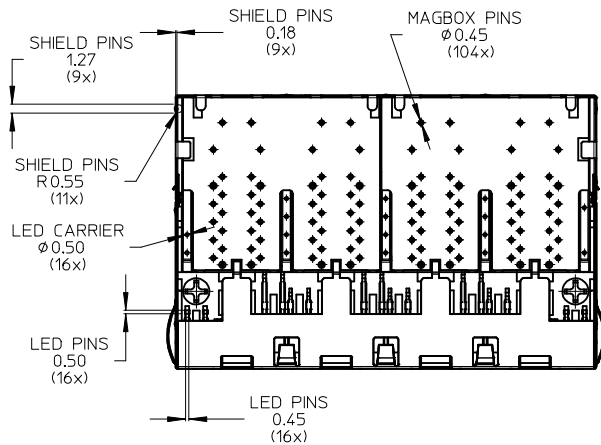
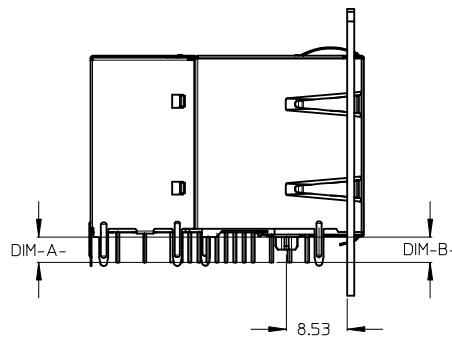
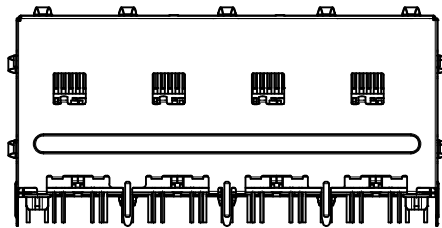
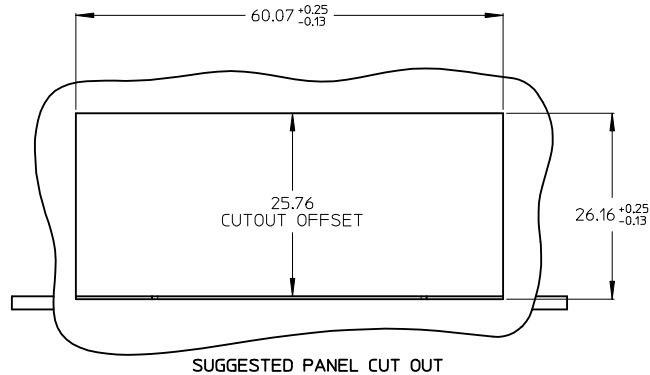
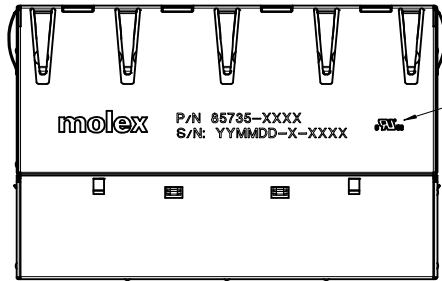
- 1 - SHIELD MATERIAL: BRASS; PLATING: NICKEL PRE-PLATING
- 2 - PLASTIC MATERIAL: POLYESTER (PBT) BLACK, 30%GR, UL 94V-0
- 3 - RJ45 TERMINALS MATERIAL: COPPER ALLOY
CONTACT PLATING: 0.76 MICROMETER GOLD OVER 1.9 MICROMETER NICKEL
PHY TERMINALS: TIN PLATED
- 4 - MATING INTERFACE ACCORDING TO IEC 60603-7
- 5 - PRODUCT SPECIFICATION: PS-85732-001
- 6 - PACKAGING SPECIFICATION: PK-85735-001
- 7 - TRACES WITHOUT INSULATION NOT ALLOWED IN THE DASHED AREAS & LATCHES
(TO AVOID SHORTS TO SHIELD)
- 8 - STAND OFF TO SYSTEM BOARD
- 9 - STUBBED PINS -> AVOID TO ROUTE TRACES OR TO PLACE ANY VIAS OR PADS BELOW THESE PINS
- 10 - FOR MAGNETICS AND LED INFORMATION SEE SPEC PS-85732-001

INCH DIM DELETED	EC NO: 2013/01/09	QUALITY SYMBOLS	GENERAL TOLERANCES (UNLESS SPECIFIED)		DIMENSION STYLE MM ONLY		SCALE 2:1	DESIGN UNITS METRIC	THIRD ANGLE PROJECTION	
	DRWN: JBADER 2013/01/09	▽=0	mm	INCH	DRAWN BY	DATE	TITLE			
	CHKD: MMANGARUDOV 2013/01/09	▽=0	4 PLACES ± --- ± ---	3 PLACES ± --- ± ---	MMANGARUDOV	2011/12/14	GIGABIT MAGNETIC JACK POE PLUS ENABLED 2X4 LED			
	APPR: SSTE INKE 2015/07/08	DESCRIPTION	2 PLACES ± 0.25 ± ---	1 PLACE ± 0.5 ± ---	CHECKED BY	DATE	MATERIAL NO. DOCUMENT NO.			
		ANGULAR ± .5 °	DRAFT WHERE APPLICABLE MUST REMAIN WITHIN DIMENSIONS		SSTE INKE	2012/12/07	MOLEX INCORPORATED			
			SIZE A 2		SEE SHEET 3			SD-85735-101	SHEET NO. 1 OF 4	
			THIS DRAWING CONTAINS INFORMATION THAT IS PROPRIETARY TO MOLEX INCORPORATED AND SHOULD NOT BE USED WITHOUT WRITTEN PERMISSION							



INCH DIM DELETED EC NO: 2013/01/09 DRWN: JBADER CHKD: MMANGARUDOV APPR: SSTEINKE DATE: 2015/07/08	QUALITY SYMBOLS $\nabla=0$ $\nabla=0$	GENERAL TOLERANCES (UNLESS SPECIFIED) <table border="1"> <tr> <td></td> <td>mm</td> <td>INCH</td> </tr> <tr> <td>4 PLACES</td> <td>± 0.25</td> <td>± 0.010</td> </tr> <tr> <td>3 PLACES</td> <td>± 0.30</td> <td>± 0.012</td> </tr> <tr> <td>2 PLACES</td> <td>± 0.40</td> <td>± 0.016</td> </tr> <tr> <td>1 PLACE</td> <td>± 0.50</td> <td>± 0.020</td> </tr> <tr> <td colspan="3">ANGULAR ± .5°</td> </tr> </table>		mm	INCH	4 PLACES	± 0.25	± 0.010	3 PLACES	± 0.30	± 0.012	2 PLACES	± 0.40	± 0.016	1 PLACE	± 0.50	± 0.020	ANGULAR ± .5°			DIMENSION STYLE MM ONLY DRAWN BY: MMANGARUDOV DATE: 2011/12/14 CHECKED BY: JBADER DATE: 2011/12/22 APPROVED BY: SSTEINKE DATE: 2012/12/07 MATERIAL NO.	SCALE 2:1 DESIGN UNITS METRIC THIRD ANGLE PROJECTION	TITLE GIGABIT MAGNETIC JACK POE PLUS ENABLED 2X4 LED
		mm	INCH																				
	4 PLACES	± 0.25	± 0.010																				
	3 PLACES	± 0.30	± 0.012																				
2 PLACES	± 0.40	± 0.016																					
1 PLACE	± 0.50	± 0.020																					
ANGULAR ± .5°																							
DESCRIPTION DRAFT WHERE APPLICABLE MUST REMAIN WITHIN DIMENSIONS	SIZE A2	MOLEX INCORPORATED	DOCUMENT NO. SD-85735-101	SHEET NO. 2 OF 4																			
THIS DRAWING CONTAINS INFORMATION THAT IS PROPRIETARY TO MOLEX INCORPORATED AND SHOULD NOT BE USED WITHOUT WRITTEN PERMISSION																							
SEE SHEET 3																							

PRINTING
LED VERSION
P/N: 85735-XXXX
S/N: YYMMDD-CM-CONSECUTIVE NUMBER



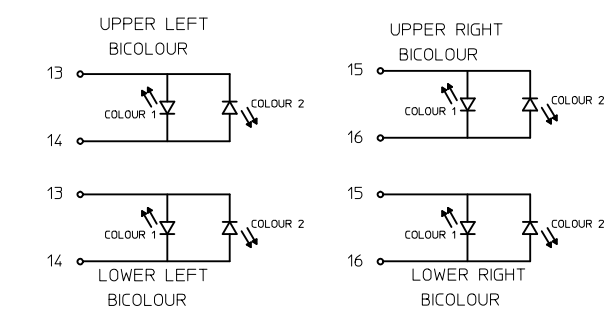
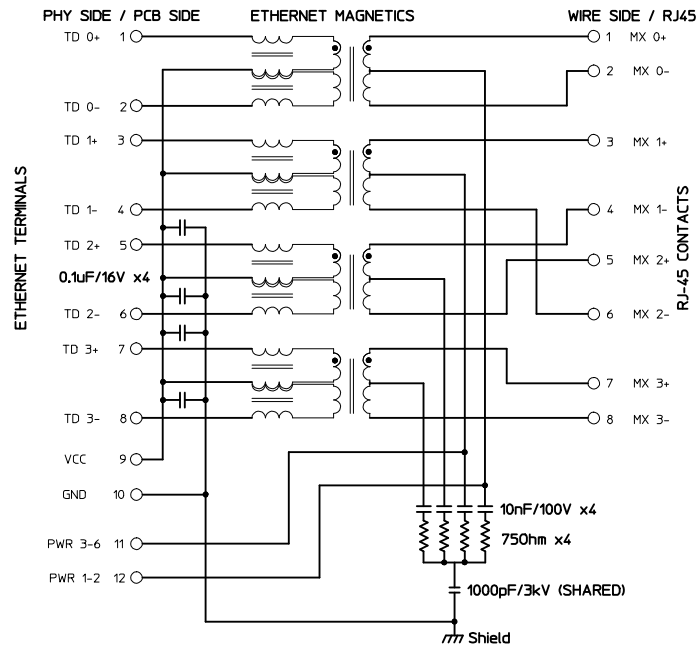
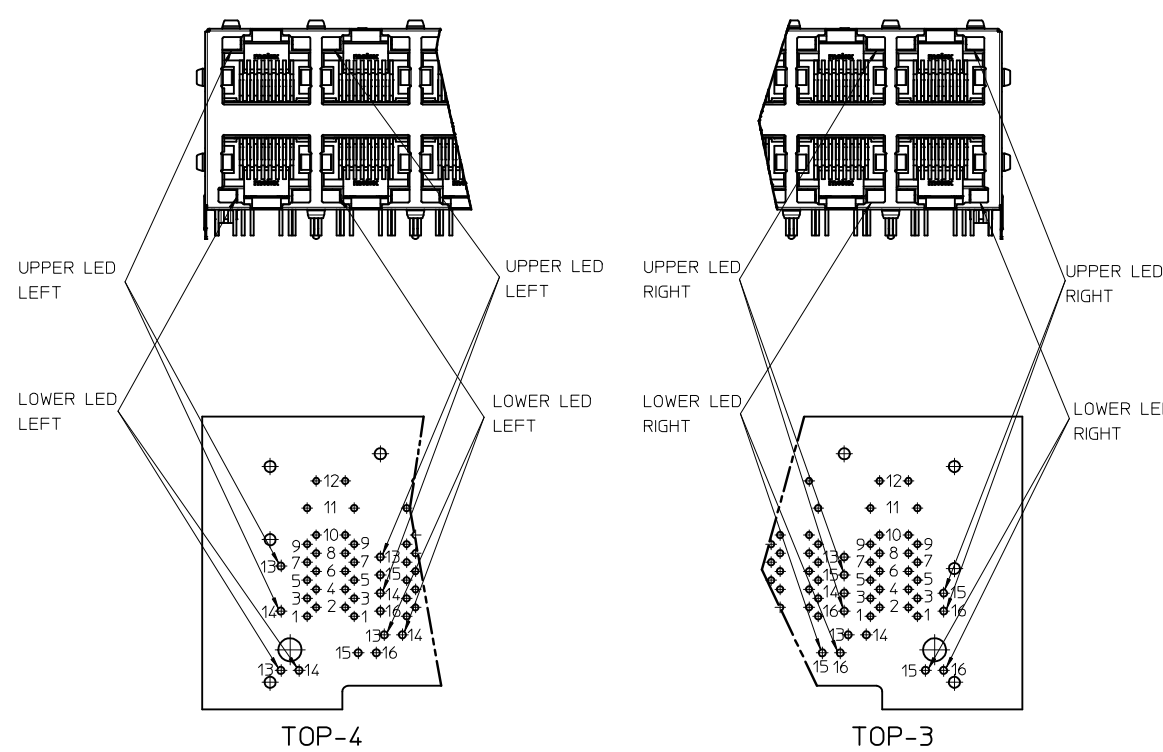
PART NUMBER	UPPER & LOWER LED LEFT		UPPER & LOWER LED RIGHT		DIM-A-SIGNAL PINS	DIM-B-LED PINS
85735-1001	COLOUR 1	GREEN	COLOUR 1	GREEN	3,56MM	3,56MM
	COLOUR 2	-	COLOUR 2	-		
85735-1002	COLOUR 1	GREEN	COLOUR 1	ORANGE	3,56MM	3,56MM
	COLOUR 2	-	COLOUR 2	-		
85735-1003	COLOUR 1	GREEN	COLOUR 1	GREEN	3,56MM	3,56MM
	COLOUR 2	ORANGE	COLOUR 2	-		
85735-1004	COLOUR 1	GREEN	COLOUR 1	GREEN	3,56MM	3,56MM
	COLOUR 2	ORANGE	COLOUR 2	ORANGE		
85735-1006	COLOUR 1	GREEN	COLOUR 1	YELLOW	3,56MM	3,56MM
	COLOUR 2	-	COLOUR 2	-		
85735-1007	COLOUR 1	GREEN	COLOUR 1	GREEN	3,56MM	3,56MM
	COLOUR 2	YELLOW	COLOUR 2	-		
85735-1008	COLOUR 1	GREEN	COLOUR 1	GREEN	3,56MM	3,56MM
	COLOUR 2	YELLOW	COLOUR 2	YELLOW		
85735-1012	COLOUR 1	YELLOW	COLOUR 1	GREEN	3,56MM	3,56MM
	COLOUR 2	GREEN	COLOUR 2	-		
85735-1013	COLOUR 1	YELLOW	COLOUR 1	YELLOW	3,56MM	3,56MM
	COLOUR 2	GREEN	COLOUR 2	GREEN		
85735-1014	COLOUR 1	YELLOW	COLOUR 1	GREEN	3,56MM	3,56MM
	COLOUR 2	-	COLOUR 2	-		

85735-3001	COLOUR 1	GREEN	COLOUR 1	GREEN	2,2MM	3,56MM
	COLOUR 2	-	COLOUR 2	-		

ADDITIONAL LED COLOURS AND CONFIGURATIONS ARE AVAILABLE ON REQUEST

NOTES:
1 - PRINTING MARKED BY LASER
2 - INSCRIPTION:
1st LINE: PART NUMBER
2nd LINE: DATE CODE (YEAR, MONTH, DAY) - MANUFACTURER ID - CONSECUTIVE NUMBER
3 - UL LOGO

NEW P/N ADDED EC NO: 2013/01/09 DRWN: JBADER CHKD: MMANGARUDOV 2013/01/09 APPR: SSTE INKE 2015/07/08	DESCRIPTION	QUALITY SYMBOLS	GENERAL TOLERANCES (UNLESS SPECIFIED)	DIMENSION STYLE	SCALE	DESIGN UNITS	THIRD ANGLE PROJECTION	
		▽=0	mm INCH	MM ONLY	2:1	METRIC	☉	
		▽=0	4 PLACES ± --- ± ---	DRAWN BY DATE	TITLE			
			3 PLACES ± --- ± ---	MMANGARUDOV 2011/12/14	GIGABIT MAGNETIC JACK POE PLUS ENABLED 2X4 LED			
		2 PLACES ± 0.25 ± ---	CHECKED BY DATE	MOLEX INCORPORATED				
		1 PLACE ± 0.5 ± ---	JBADER 2011/12/22	SD-85735-101				
		ANGULAR ± .5 °	APPROVED BY DATE	SHEET NO. 3 OF 4				
			SSTE INKE 2012/12/07	INCORPORATED AND SHOULD NOT BE USED WITHOUT WRITTEN PERMISSION				
		DRAFT WHERE APPLICABLE MUST REMAIN WITHIN DIMENSIONS	MATERIAL NO.					
			SEE BOM					
			SIZE A 2					



UPPER POSITION	LOWER POSITION	LEFT COLOUR	LED COLOUR
13	13	+	-
14	14	-	+

UPPER POSITION	LOWER POSITION	RIGHT COLOUR	LED COLOUR
15	15	+	-
16	16	-	+

PIN	ETHERNET MAGNETICS
1	TD 0+
2	TD 0-
3	TD 1+
4	TD 1-
5	TD 2+
6	TD 2-
7	TD 3+
8	TD 3-
9	Vcc
10	GND
11	PWR 3-6
12	PWR 1-2

POWER-SUPPLY POLARITY DEFINITION TO ACHIEVE PoE POWER ASSIGNMENT ACCORDING IEEE Std802.3-2012 ALTERNATIVE A:

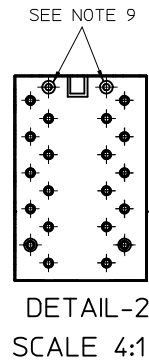
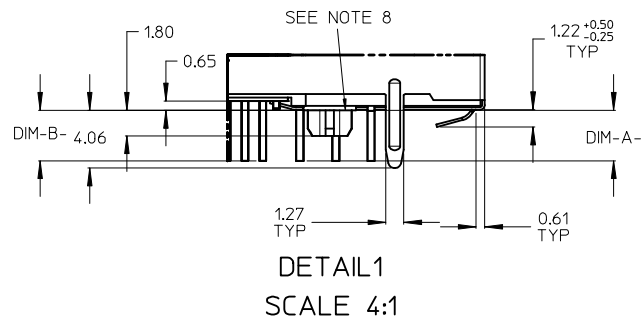
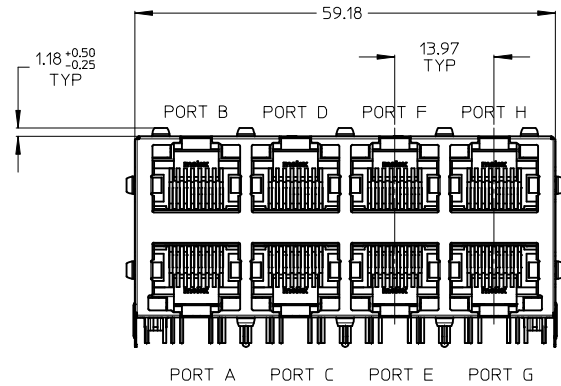
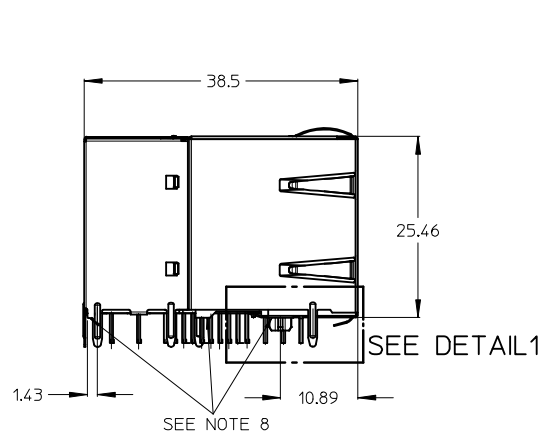
	MDI-X	MDI
PIN 11	Vc +	Vc -
PIN 12	Vc -	Vc +

SCHEMATIC UPDATED EC NO: 2013/01/09 DRWN: JBADER CHKD: MMANGARUDOV 2013/01/09 APPR: SSTE INKE 2015/07/08	QUALITY SYMBOLS ▽=0 ▽=0	GENERAL TOLERANCES (UNLESS SPECIFIED)		DIMENSION STYLE MM ONLY		SCALE 2:1	DESIGN UNITS METRIC	THIRD ANGLE PROJECTION		
		4 PLACES ± --- ± --- 3 PLACES ± --- ± --- 2 PLACES ± 0.25 ± --- 1 PLACE ± 0.5 ± --- ANGULAR ± .5°	mm INCH	DRAWN BY MMANGARUDOV 2011/12/14	DATE	TITLE GIGABIT MAGNETIC JACK POE PLUS ENABLED 2X4 LED				
		DRAFT WHERE APPLICABLE MUST REMAIN WITHIN DIMENSIONS		CHECKED BY JBADER 2011/12/22	DATE	MOLEX INCORPORATED				
				APPROVED BY SSTE INKE 2012/12/07	DATE					
MATERIAL NO. SEE SHEET 3		DOCUMENT NO. SD-85735-101		SHEET NO. 4 OF 4						

**GIGABIT 8 PORT MAGNETIC JACK WITH LED'S
AND INTEGRATED POWER OVER ETHERNET TRANSFORMERS
WITHOUT POWER LINE CHOKE
ACCORDING TO IEEE Std802.3-2012 FOR PSE (30 WATT) APPLICATIONS**

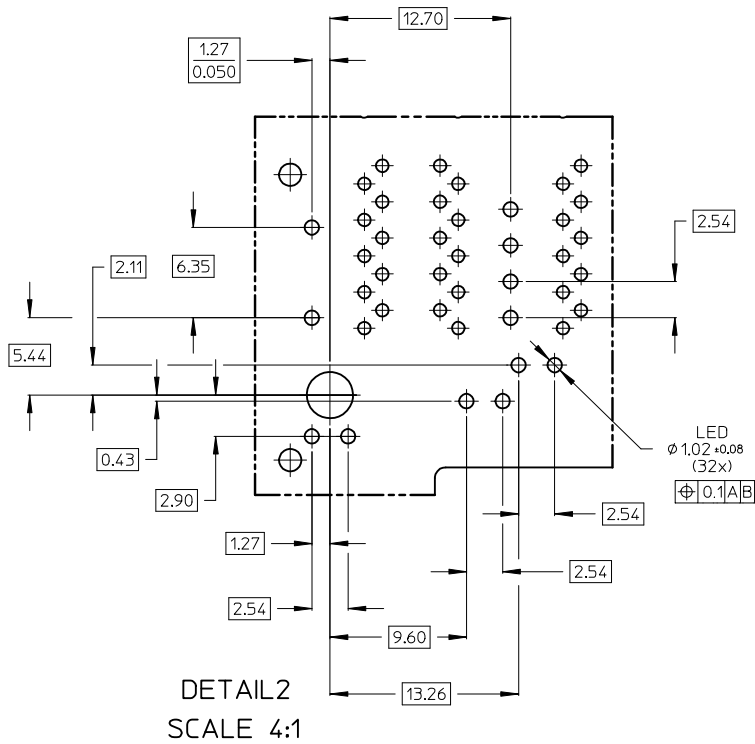
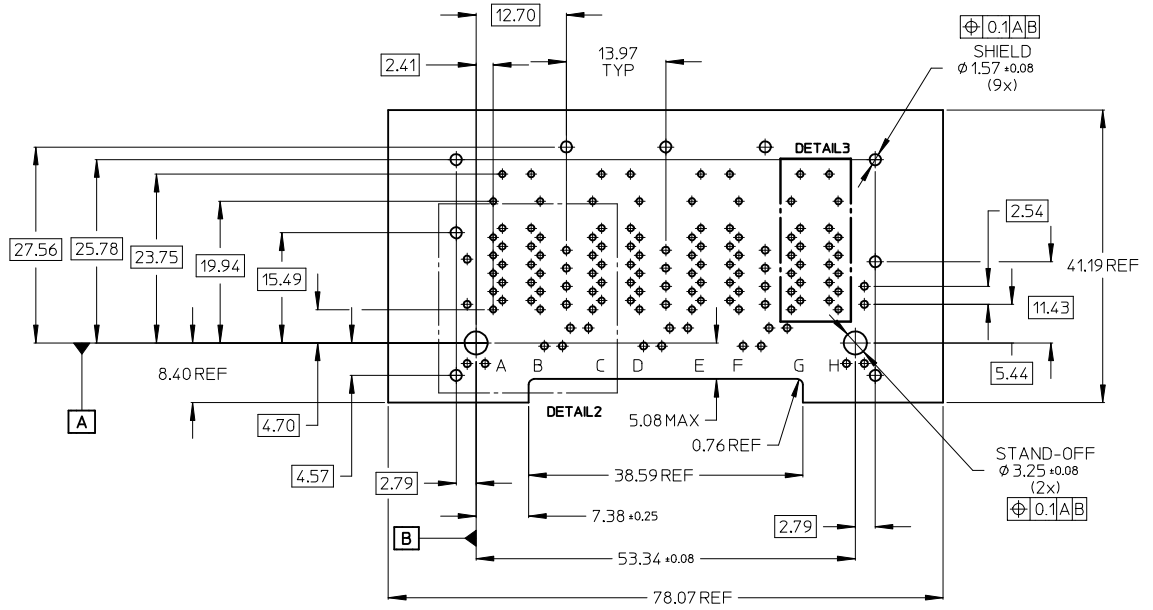
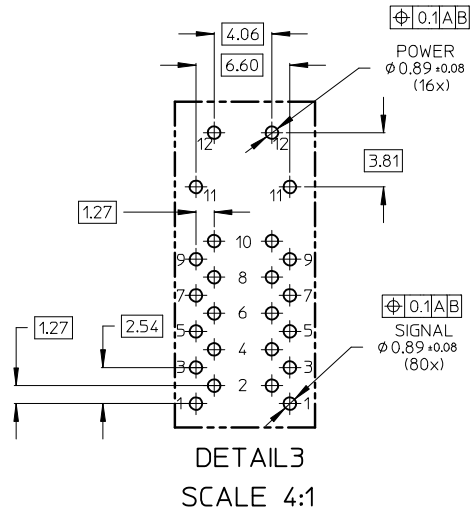
PART NUMBER	UPPER & LOWER LED LEFT		UPPER & LOWER LED RIGHT		LED PIN DIM-A-	SIGNAL PIN DIM-B-
85735-2001	COLOUR 1	GREEN	COLOUR 1	GREEN	3.56 MM	3.56 MM
	COLOUR 2	—	COLOUR 2	—		
85735-2004	COLOUR 1	GREEN	COLOUR 1	GREEN	3.56 MM	3.56 MM
	COLOUR 2	ORANGE	COLOUR 2	ORANGE		

ADDITIONAL LED COLOURS ARE CONFIGURATIONS AVAILABLE ON REQUEST



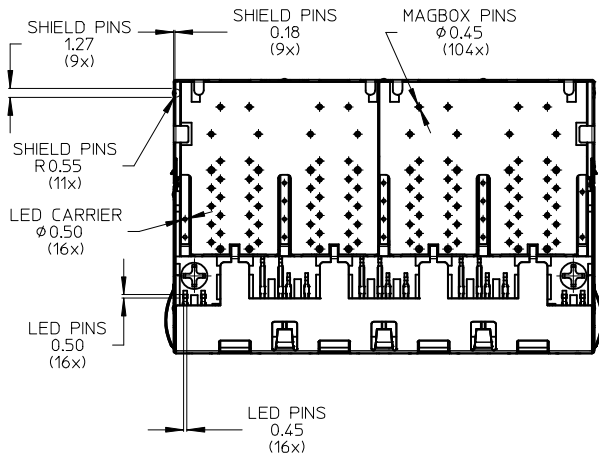
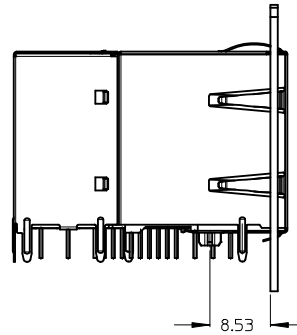
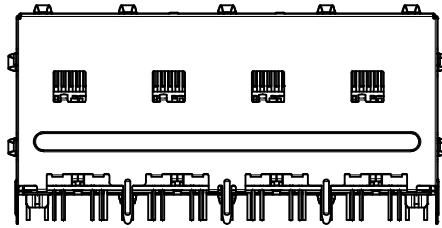
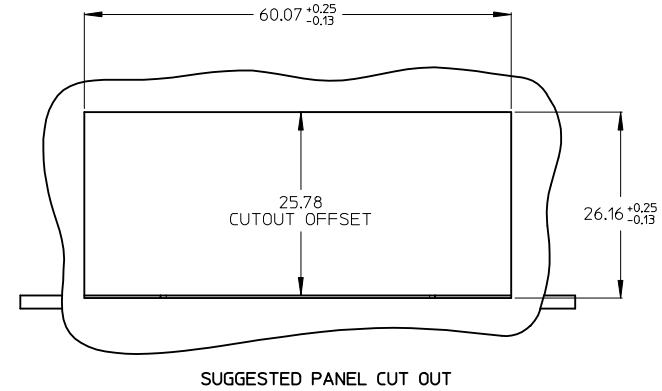
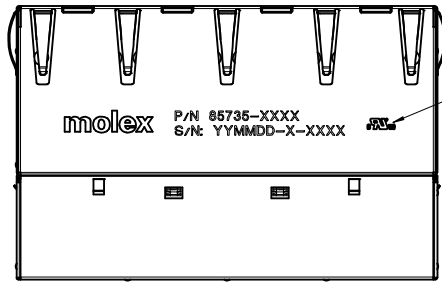
- NOTES:
- 1 - SHIELD MATERIAL: BRASS; PLATING: NICKEL PRE-PLATING
 - 2 - PLASTIC MATERIAL: POLYESTER (PBT) BLACK, 30%GR, UL 94V-0
 - 3 - RJ45 TERMINALS MATERIAL: COPPER ALLOY
CONTACT PLATING: 0.76 MICROMETER GOLD OVER 1.9 MICROMETER NICKEL
PHY TERMINALS: TIN PLATED
 - 4 - MATING INTERFACE ACCORDING TO IEC 60603-7
 - 5 - PRODUCT SPECIFICATION: PS-85732-001
 - 6 - PACKAGING SPECIFICATION: PK-85735-001
 - 7 - TRACES WITHOUT INSULATION NOT ALLOWED IN THE DASHED AREAS & LATCHES (TO AVOID SHORTS TO SHIELD)
 - 8 - STAND OFF TO SYSTEM BOARD
 - 9 - STUBBED PINS -> AVOID TO ROUTE TRACES OR TO PLACE ANY VIAS OR PADS BELOW THESE PINS
 - 10 - FOR MAGNETICS AND LED INFORMATION SEE SPEC PS-85732-001

INCH DIM DELETED	EC NO:	201501/15	QUALITY SYMBOLS	GENERAL TOLERANCES (UNLESS SPECIFIED)	DIMENSION STYLE	SCALE	DESIGN UNITS	THIRD ANGLE PROJECTION
	DRWN:JBADER	2015/01/15	▽=0	mm INCH	MM ONLY	2:1	METRIC	
	CHKD:MMANGARUDOV	2015/01/15	▽=0	4 PLACES ± --- ± ---	DRAWN BY	DATE	TITLE	
	APPR:SSSTEINKE	2015/07/08		3 PLACES ± --- ± ---	JBADER	2013/07/02	GIGABIT MAGNETIC JACK POE PLUS ENABLED 2X4 LED	
			2 PLACES ± 0.25 ± ---	2 PLACES ± 0.25 ± ---	CHECKED BY	DATE		
			1 PLACE ± 0.5 ± ---	1 PLACE ± 0.5 ± ---	MMANGARUDOV	2013/07/02		
			ANGULAR ± .5 °	ANGULAR ± .5 °	APPROVED BY	DATE		
					SSTEINKE	2013/10/31		
					MATERIAL NO.			
					SEE BOM			
					SIZE			
					A 2			
					THIS DRAWING CONTAINS INFORMATION THAT IS PROPRIETARY TO MOLEX INCORPORATED AND SHOULD NOT BE USED WITHOUT WRITTEN PERMISSION			



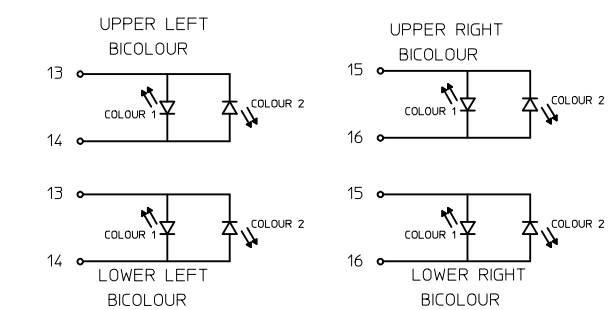
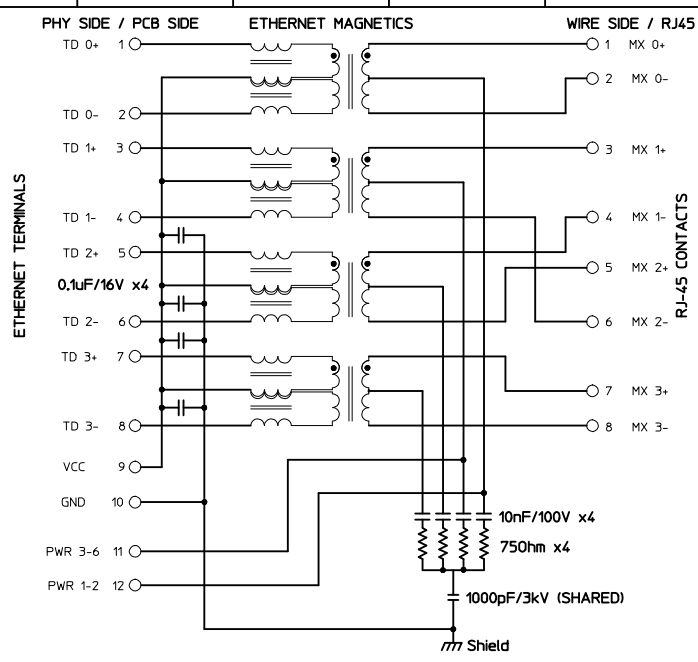
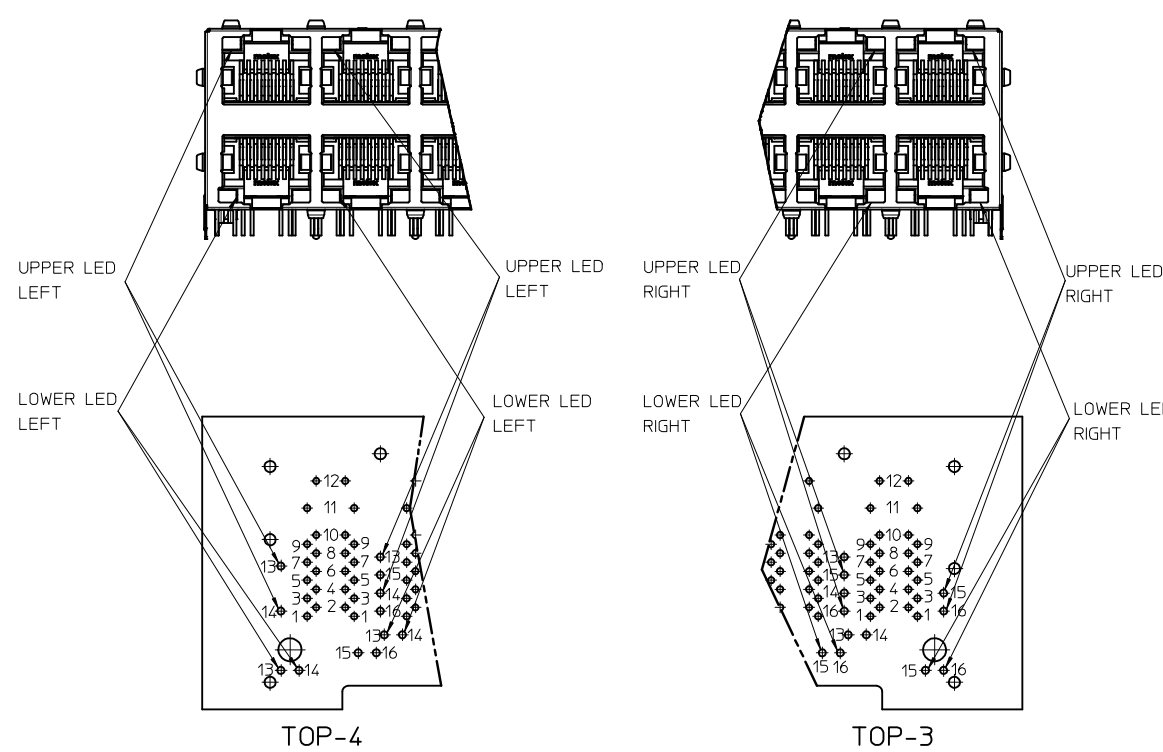
INCH DIM DELETED	EC NO:	20150115	QUALITY SYMBOLS		GENERAL TOLERANCES (UNLESS SPECIFIED)		DIMENSION STYLE		SCALE	DESIGN UNITS	THIRD ANGLE PROJECTION
	DRWN:	JBADER	$\nabla=0$	$\nabla=0$	mm INCH		MM ONLY		2:1	METRIC	
	CHKD:	MMANGARUDOV	4 PLACES \pm --- \pm ---		DRAWN BY		DATE		TITLE		
	APPR:	SSTEINKE	3 PLACES \pm --- \pm ---		JBADER		2013/07/02		GIGABIT MAGNETIC JACK POE PLUS ENABLED 2X4 LED		
REV		2 PLACES ± 0.25 \pm ---		CHECKED BY		DATE		MOLEX INCORPORATED			
		1 PLACE ± 0.5 \pm ---		MMANGARUDOV		2013/07/02					
		ANGULAR $\pm .5^\circ$		APPROVED BY		DATE		DOCUMENT NO.			
		DRAFT WHERE APPLICABLE MUST REMAIN WITHIN DIMENSIONS		SSTEINKE		2013/10/31					SD-85735-201
				MATERIAL NO.		SEE SHEET 1		SHEET NO. 2 OF 4			
				SIZE		A 2					THIS DRAWING CONTAINS INFORMATION THAT IS PROPRIETARY TO MOLEX INCORPORATED AND SHOULD NOT BE USED WITHOUT WRITTEN PERMISSION

PRINTING
 LED VERSION
 P/N: 85735-XXXX
 S/N: YYMMDD-CM-CONSECUTIVE NUMBER



- NOTES:
 1 - PRINTING MARKED BY LASER
 2 - INSCRIPTION:
 1st LINE: PART NUMBER
 2nd LINE: DATE CODE (YEAR, MONTH, DAY)- MANUFACTURER ID - CONSECUTIVE NUMBER
 3 - UL LOGO

INCH DIM DELETED	EC NO: 2015/01/15	QUALITY SYMBOLS	GENERAL TOLERANCES (UNLESS SPECIFIED)		DIMENSION STYLE MM ONLY		SCALE 2:1	DESIGN UNITS METRIC	THIRD ANGLE PROJECTION
	DRWN: JBADER	▽=0	4 PLACES ± --- ± ---	mm	INCH	DRAWN BY JBADER	DATE 2013/07/02	TITLE GIGABIT MAGNETIC JACK POE PLUS ENABLED 2X4 LED	
	CHKD: MMANGARUDOV	▽=0	3 PLACES ± --- ± ---	± 0.25	± ---	CHECKED BY MMANGARUDOV	DATE 2013/07/02	MOLEX INCORPORATED	
	APPR: SSTEINKE	DESCRIPTION	1 PLACE ± 0.5 ± ---	ANGULAR ± .5 °		APPROVED BY SSTEINKE	DATE 2013/10/31		
DRAFT WHERE APPLICABLE MUST REMAIN WITHIN DIMENSIONS			THIS DRAWING CONTAINS INFORMATION THAT IS PROPRIETARY TO MOLEX INCORPORATED AND SHOULD NOT BE USED WITHOUT WRITTEN PERMISSION						



UPPER POSITION	LOWER POSITION	LEFT COLOUR	RIGHT COLOUR
13	13	+	-
14	14	-	+

UPPER POSITION	LOWER POSITION	RIGHT COLOUR	LEFT COLOUR
15	15	+	-
16	16	-	+

POWER-SUPPLY POLARITY DEFINITION TO ACHIEVE PoE POWER ASSIGNMENT ACCORDING IEEE Std802.3-2012 ALTERNATIVE A:

	MDI-X	MDI
PIN 11	Vc +	Vc -
PIN 12	Vc -	Vc +

PIN	ETHERNET MAGNETICS
1	TD 0+
2	TD 0-
3	TD 1+
4	TD 1-
5	TD 2+
6	TD 2-
7	TD 3+
8	TD 3-
9	Vcc
10	GND
11	PWR 3-6
12	PWR 1-2

SCHEMATIC UPDATED EC NO: B DRWN: JBADER 2015/01/15 CHKD: MMANGARUDOV 2015/01/15 APPR: SSTEINKE 2015/07/08	QUALITY SYMBOLS ▽=0 ▽=0	GENERAL TOLERANCES (UNLESS SPECIFIED) <table border="1"> <tr> <th></th> <th>mm</th> <th>INCH</th> </tr> <tr> <td>4 PLACES</td> <td>± 0.15</td> <td>± 0.006</td> </tr> <tr> <td>3 PLACES</td> <td>± 0.20</td> <td>± 0.008</td> </tr> <tr> <td>2 PLACES</td> <td>± 0.25</td> <td>± 0.010</td> </tr> <tr> <td>1 PLACE</td> <td>± 0.5</td> <td>± 0.020</td> </tr> </table> ANGULAR ± .5°		mm	INCH	4 PLACES	± 0.15	± 0.006	3 PLACES	± 0.20	± 0.008	2 PLACES	± 0.25	± 0.010	1 PLACE	± 0.5	± 0.020	DIMENSION STYLE MM ONLY	SCALE 2:1	DESIGN UNITS METRIC	THIRD ANGLE PROJECTION
		mm	INCH																		
	4 PLACES	± 0.15	± 0.006																		
	3 PLACES	± 0.20	± 0.008																		
2 PLACES	± 0.25	± 0.010																			
1 PLACE	± 0.5	± 0.020																			
DRAWN BY: JBADER CHECKED BY: MMANGARUDOV APPROVED BY: SSTEINKE	DATE: 2013/07/02 DATE: 2013/07/02 DATE: 2013/10/31	TITLE GIGABIT MAGNETIC JACK POE PLUS ENABLED 2X4 LED	Molex MOLEX INCORPORATED																		
MATERIAL NO. SEE SHEET 1	DOCUMENT NO. SD-85735-201	SHEET NO. 4 OF 4																			
DRAFT WHERE APPLICABLE MUST REMAIN WITHIN DIMENSIONS THIS DRAWING CONTAINS INFORMATION THAT IS PROPRIETARY TO MOLEX INCORPORATED AND SHOULD NOT BE USED WITHOUT WRITTEN PERMISSION																					