

Evaluating the **AD5696R** 16-Bit, Quad-Channel, Voltage Output DAC

FEATURES

- Full featured evaluation board for the **AD5696R**
- On-board references
- Various link options
- PC control in conjunction with the Analog Devices, Inc., **SDP**

EVALUATION KIT CONTENTS

- EVAL-AD5696RSDZ** evaluation board
- USB cable

HARDWARE REQUIRED

- EVAL-SDP-CB1Z (SDP-B)** board or **EVAL-SDP-CS1Z (SDP-S)** board, must be purchased separately

SOFTWARE REQUIRED

- ACE** evaluation software, available for download from the **EVAL-AD5696RSDZ** product page

GENERAL DESCRIPTION

This user guide details the operation of the **EVAL-AD5696RSDZ** evaluation board for the **AD5696R** quad-channel, voltage output, digital-to-analog converter (DAC).

The **EVAL-AD5696RSDZ** evaluation board is designed to help users quickly prototype **AD5696R** circuits and reduce design

time. The **AD5696R** operates from a single 2.7 V to 5.5 V supply. The **AD5696R** incorporates an internal 2.5 V reference to give an output voltage of 2.5 V or 5 V. The **EVAL-AD5696RSDZ** evaluation board also incorporates additional voltage references.

The **EVAL-AD5696RSDZ** interfaces to the USB port of a PC via a system demonstration platform (**SDP**) board. The analysis control evaluation (**ACE**) software is available for download from the **EVAL-AD5696RSDZ** product page to use with the evaluation board to allow the user to program the **AD5696R**. A PMOD connection is also available to allow the connection of microcontrollers to the evaluation board without the **SDP** board. Note that when a microcontroller is used through the PMOD connection, the **SDP** board must be disconnected, and the user is unable to operate the **ACE** software.

The **EVAL-AD5696RSDZ** evaluation board is compatible with any Analog Devices **SDP** board, which can be purchased separately. A typical connection between the **EVAL-AD5696RSDZ** and the **EVAL-SDP-CS1Z** board (**SDP-S** controller board) is shown in Figure 1.

For full details, see the **AD5696R** data sheet, which must be used in conjunction with this user guide when using the **EVAL-AD5696RSDZ** evaluation board.

EVAL-AD5696RSDZ EVALUATION BOARD CONNECTED TO THE **SDP-S** BOARD

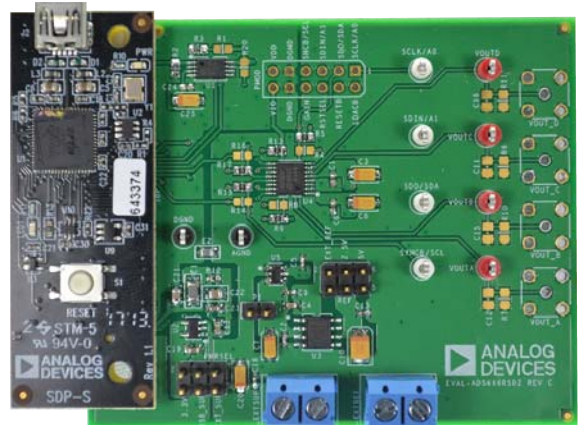


Figure 1.

TABLE OF CONTENTS

Features	1
Evaluation Kit Contents.....	1
Hardware Required	1
Software Required	1
General Description	1
EVAL-AD5696RSDZ Evaluation Board Connected to the SDP-S Board	1
Revision History	2
Evaluation Board Software Quick Start Procedures	3
Installing the Software	3
Initial Setup	3

Block Diagram and Description.....	4
Memory Map	5
Evaluation Board Hardware.....	6
Power Supplies.....	6
LDO Recommendation	6
Test Points	6
Voltage References.....	6
Link Options	6
Evaluation Board Schematics and Artwork.....	8
Ordering Information.....	12
Bill of Materials.....	12

REVISION HISTORY

4/2017—Rev. A to Rev. B

Reorganized Layout.....	Universal
Changes to Evaluation Kit Contents Section and General Description Section.....	1
Added Hardware Required Section and Software Required Section.....	1
Added Evaluation Board Software Quick Start Procedures Section, Installing the Software Section, Initial Setup Section, Figure 2, and Figure 3; Renumbered Sequentially	3
Added Block Diagram and Description Section, Figure 4, and Table 1; Renumbered Sequentially.....	4
Deleted Evaluation Board Software Section, Installing the Software Section, Running the Software Section, Figure 2, Figure 3, Figure 4, and Figure 5; Renumbered Sequentially	5
Added Memory Map Section, Figure 5, and Figure 6	5
Deleted Figure 6, Software Operation Section, Write to Input Register Section, Write to DAC Register Section, Update DAC Register from Input Register Section, LDAC Control Section, GAIN Control Section, Reference Control Section, and Power-Down Control Section	6

Changes to Table 2.....	6
Deleted LDAC Mask Register Section and 24-Bit Command Section.....	7
Changes to Table 6.....	12

2/2016—Rev. 0 to Rev. A

Changes to Table 4.....	4
Changes to Running the Software Section.....	5
Added Figure 5; Renumbered Sequentially	5
Changes to Figure 6.....	6
Added LDAC Mask Register Section.....	7
Changes to Figure 7.....	8
Changes to Figure 8.....	9
Changes to Figure 9 and Figure 10.....	10
Changes to Figure 11.....	11
Changes to Table 5.....	12

5/2015—Revision 0: Initial Version

EVALUATION BOARD SOFTWARE QUICK START PROCEDURES

INSTALLING THE SOFTWARE

The [EVAL-AD5696RSDZ](#) evaluation board uses the [ACE](#) evaluation software, a desktop software application that allows the evaluation and control of multiple evaluation systems.

The [ACE](#) installer installs the necessary SDP drivers and the Microsoft® .NET Framework 4 by default. The [ACE](#) software is available for download from the [EVAL-AD5696RSDZ](#) product page, and must be installed before connecting the [SDP](#) board to the USB port of the PC, to ensure that the [SDP](#) board is recognized when it connects to the PC. For full instructions on how to install and use this software, see the [ACE](#) software page on the Analog Devices website.

After the installation is finished, the [EVAL-AD5696RSDZ](#) evaluation board plug in appears when the [ACE](#) software is opened.

INITIAL SETUP

To set up the evaluation board, take the following steps:

1. Connect the evaluation board to the [SDP](#) board, and then connect the USB cable between the [SDP](#) board and the PC.
2. Run the [ACE](#) application. The [EVAL-AD5696RSDZ](#) board plug ins appear in the attached hardware pane of the **Start** tab.
3. Double click the board plug in to open the board view shown in Figure 2.
4. Double click the [AD5696R](#) chip to access the chip block diagram. This view provides a basic representation of functionality of the board. The main function blocks of the board are labeled in Figure 3.

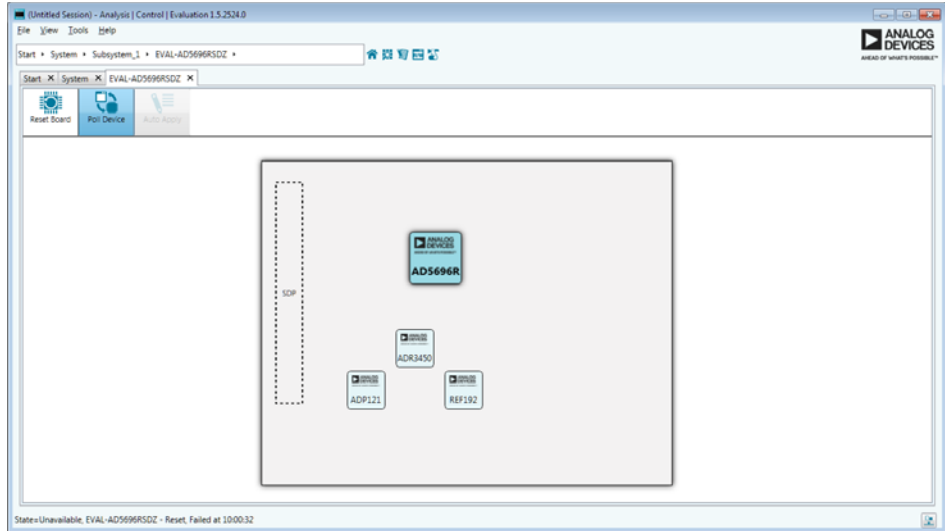


Figure 2. Board View of the [EVAL-AD5696RSDZ](#)

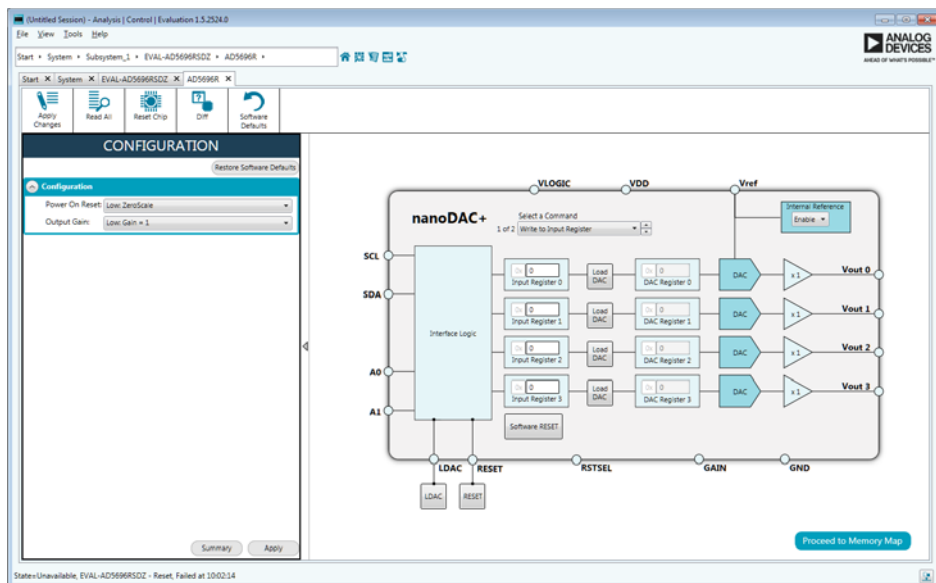


Figure 3. Chip Block Diagram of the [AD5696R](#)

BLOCK DIAGRAM AND DESCRIPTION

The EVAL-AD5696RSDZ software is organized to appear similar to the functional block diagram shown in the AD5696R data sheet. Therefore, correlating the functions on the EVAL-AD5696RSDZ evaluation board with the description in the AD5696R data sheet is simplified.

For a full description of each block, register, and its settings, see the AD5696R data sheet.

Some of the blocks and their functions are described in this section as they pertain to the evaluation board. The block diagram is shown in Figure 4. Table 1 describes the functionality of each block.

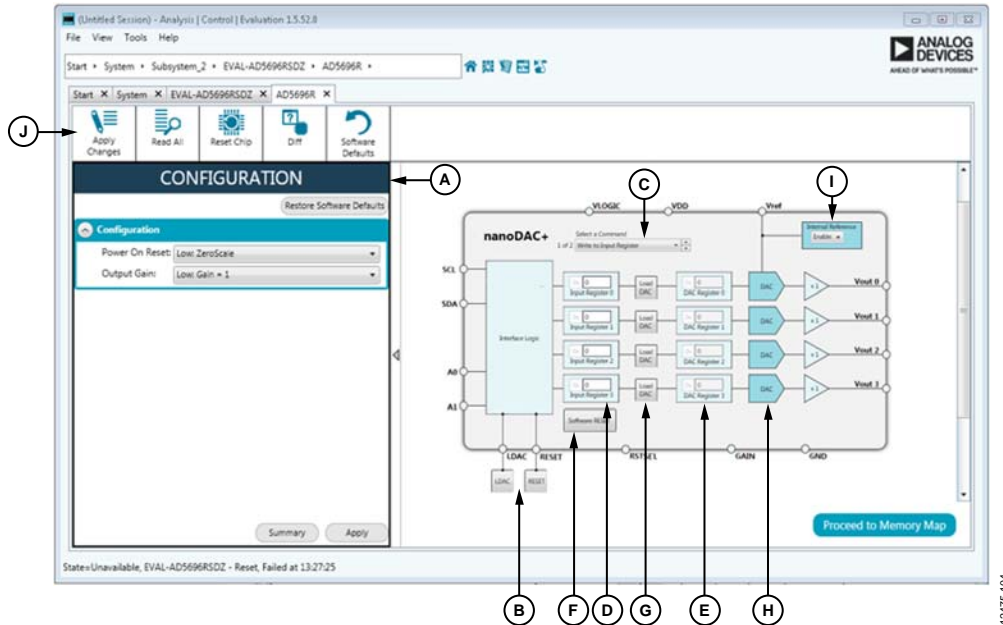


Figure 4. AD5696R Block Diagram with Labels

Table 1. Block Diagram Functions (See Figure 4 for Labels)

Label	Button/Function Name	Function
A	CONFIGURATION wizard	Used to set the initial configuration for the board. Select the reference gain case from the Output Gain dropdown menu. A gain of 1 is the default. After setting up the initial configuration, click Apply to apply the values. These settings can be modified at any stage while evaluating the board.
B	LDAC and RESET (GPIO buttons)	Act as external GPIO pulses to the LDAC and RESET pins. The LDAC button transfers data from the input registers (D) to the DAC registers (E). The RESET button clears all data from input registers and DAC registers. These buttons are live; therefore, there is no need to click Apply Changes (J).
C	Select a Command	Command option dropdown menu selects how the data being transferred to the device affects the input and DAC registers. After a data value is entered in an input register (D), this menu determines the internal DAC registers affected by updating the input register (D). After a new value is written in the input register (D), the data can be transferred to the DAC input register, or to the DAC input register and the DAC register simultaneously. If the data is transferred to both registers, the channel DAC register (E) will reflect the new value.
D	Input register	16-bit data word to be transferred to the device. Click Apply Changes (J) to transfer this 16-bit data word to the device.
E	DAC register	Displays the value that is currently present in the DAC register on the device. Update the DAC registers by selecting the appropriate command option or by toggling LDAC (B).
F	Software RESET	Returns the evaluation board and software to default values. This button is live; therefore, there is no need to click Apply Changes (J).
G	Load DAC	Users can individually control which channel loads the values from the input registers to the DAC registers.
H	DAC	DAC configuration options provide access to individual channel configuration options such as power-down options and hardware LDAC mask enable/disable settings.
I	Internal Reference	Select Enable from this setting to enable the on-chip reference for the evaluation board. If Disable is selected, an external reference must be applied. This control is only available on the AD5696R.
J	Apply Changes	Applies all modified values to the device. Note that if an evaluation board is not connected, values entered into the input registers are not transferred to the DAC registers.

MEMORY MAP

All registers are fully accessible from the **AD5696R Memory Map** tab, shown in Figure 5. To navigate to this tab, click the Proceed to Memory Map button, shown in Figure 4. This tab allows registers to be edited at bit level. The bits shaded in dark gray are read-only bits and cannot be accessed from the ACE software. All other bits are toggled.

Clicking the **Apply Changes** button transfers data to the device. All changes made in the memory map tab correspond to the block diagram. For example, if the internal register bit is enabled, it displays as enabled on the block diagram. Any bits or registers that are shown in bold in the memory map tab are modified values that have not been transferred to the evaluation board (see Figure 6). Click **Apply Changes** to transfer the data to the evaluation board.

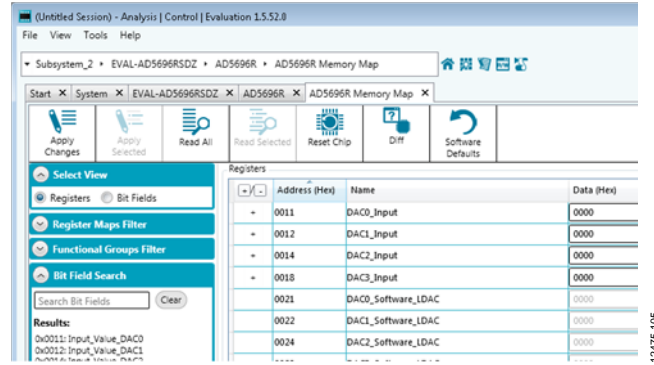


Figure 5. AD5696R Memory Map Tab

Registers	Address (Hex)	Name	Data (Hex)	Data (Binary)
+	0011	DAC0_Input	1234	0 0 0 1
+	0012	DAC1_Input	0000	0 0 0 0
+	0014	DAC2_Input	0000	0 0 0 0
+	0018	DAC3_Input	0000	0 0 0 0

Figure 6. AD5696R Memory Map with Unapplied Changes in the **DAC0_Input** Register

EVALUATION BOARD HARDWARE

POWER SUPPLIES

The [EVAL-AD5696RSDZ](#) evaluation board provides an on-board, 3.3 V regulator powered through the USB supply. If a different supply is required or if the evaluation board is controlled through the PMOD connector, an external supply must be provided by the EXTSUP connector. See Table 2 for more details.

Both AGND and DGND inputs are provided on the board. The AGND and DGND planes are connected at one location close to the [AD5696R](#). To avoid ground loop problems, it is recommended that AGND and DGND not be connected elsewhere in the system.

All supplies are decoupled to ground with 10 μ F tantalum and 0.1 μ F ceramic capacitors.

LDO RECOMMENDATION

The [ADP7118](#) low dropout (LDO) linear regulator (maximum $V_{IN} = 20$ V) is recommended to power the V_{DD} rail for maximal performance. A 4.7 Ω resistor in series with the input capacitor of the [ADP7118](#) adds additional rejection at higher frequencies to reduce any power supply ripple artifacts below the noise floor. The [ADP162](#) is recommended for powering the V_{LOGIC} rail.

Table 2. Power Supply Connectors

Connector No.	Label	External Voltage Supplies Description
EXTSUP, Pin 1	EXTSUP	External analog power supply from 2.7 V to 5.5 V, V_{DD} .
EXTSUP, Pin 2		Analog ground.
EXTREF, Pin 1	EXTREF	External voltage reference, V_{LOGIC} . 3.3 V when the evaluation board is controlled through the SDP. 1.8 V to 5.5 V when the evaluation board is controlled through an external connector.
EXTREF, Pin 2		Analog ground.

Table 3. Link Options Setup for SDP Control (Default)

Link	Option
PWRSEL	3.3 V
REF	Not connected
P1	Not connected

Table 4. Link Functions

Link	Description
PWRSEL	This link selects the DAC analog voltage source. There are three options as follows: The 3.3 V option selects the on-board voltage source from the ADP121 . The USB_SUP option selects the USB supply from Pin 5 of the 120-pin connector of the SDP board. The EXT_SUP option selects an external supply voltage (EXTSUP connector).
REF	This link selects the reference source. There are four options as follows: The not connected option uses the internal reference of 2.5 V. The EXT_REF option selects an external reference source (EXTREF connector). The 2.5 V option selects the on-board reference from the REF192 . The 5 V option selects the on-board reference from the ADR3450 . This reference requires an external supply.
P1	The P1 link selects the DAC digital voltage source. There are two options as follows: The connected option shorts V_{DD} and V_{LOGIC} . Use this option only when the SDP is not connected. The not connected option opens the connection of V_{DD} and V_{LOGIC} . Use this option when using the SDP.

TEST POINTS

The evaluation board has various test points for debugging and monitoring purposes. These test points are described Table 5.

VOLTAGE REFERENCES

The [AD5696R](#) provides an internal voltage reference. The evaluation board provides external references with values of 2.5 V and 5 V. Note that the [ADR3450](#) requires the use of an external supply through the EXTSUP connector (see Table 4).

LINK OPTIONS

A number of link options are incorporated on the [EVAL-AD5696RSDZ](#) evaluation board and must be set for the required operating conditions before using the board. The functions of these link options are described in Table 4.

Table 3 lists the positions of the different links controlled by the PC via the USB port. An SDP board operating in single-supply mode is required.

Table 5. Test Point Descriptions

Test Point	Description
AGND	Analog ground.
DGND	Digital ground.
SCLK/A0	Address input. Sets the first LSB of the 7-bit slave address. This signal is named SCLK_A0 in Figure 7.
SDO/SDA	Serial data line. This pin is used in conjunction with the SCL line to clock data into or out of the 24-bit input shift register. SDA is a bidirectional, open-drain data line pulled to the supply with an external pull-up resistor. This signal is named SDO_SDA in Figure 7. If using an external microcontroller, a 2.2 k Ω pull-up resistor connected to V _{LOGIC} is required.
SYNCB/SCL	Serial clock line. This pin is used in conjunction with the SDA line to clock data into or out of the 24-bit input register. This signal is named SYNCB_SCL in Figure 7. If an external microcontroller is used, a 2.2 k Ω pull-up resistor connected to V _{LOGIC} is required.
SDIN/A1	Address input. This pin sets the second LSB of the 7-bit slave address. This signal is named SDIN_A1 in Figure 7.
VOUTA to VOUTD	Analog output voltage from DAC A to DAC D, respectively. The output amplifier has rail-to-rail operation.

THE SDP CONNECTOR IMPLEMENTS THE E13 CONNECTOR SPECIFICATIONS STANDARD. THIS IS A STANDARD FOR USE ACROSS ADI AND CANNOT BE MODIFIED

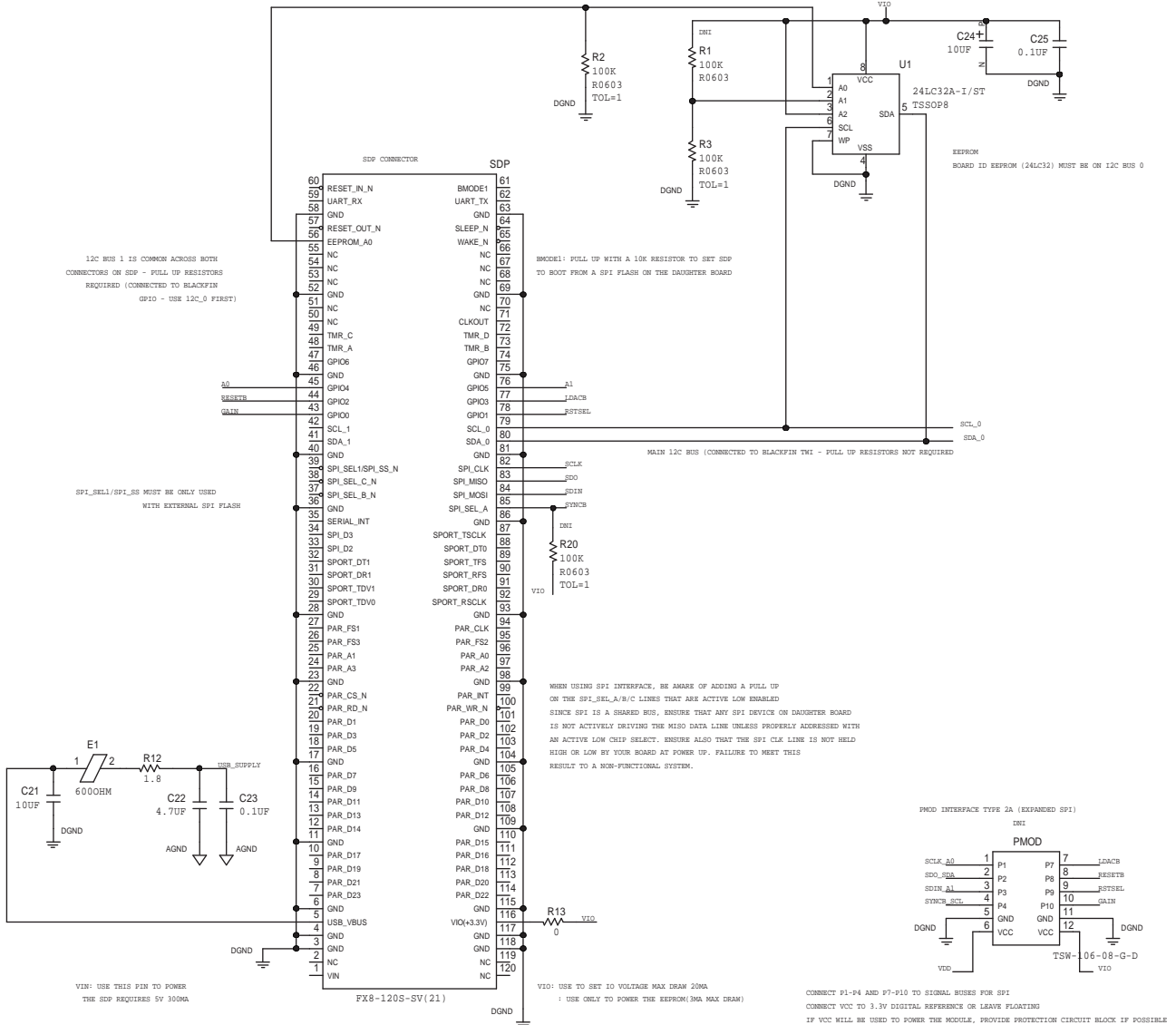
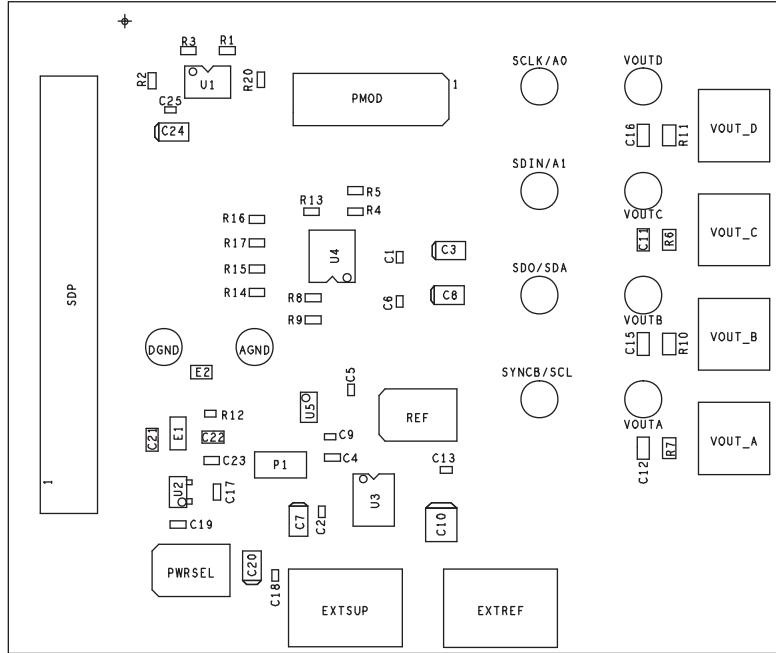
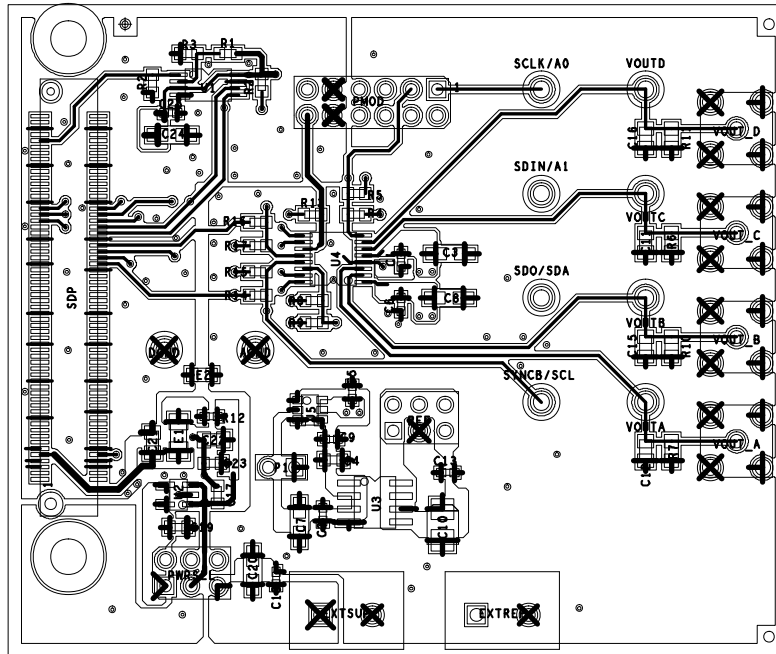


Figure 8. EVAL-AD5696RSDZ Schematic—SDP Connector



12475-009

Figure 9. EVAL-AD5696RSDZ Component Placement



12475-009

Figure 10. EVAL-AD5696RSDZ Top Side Routing

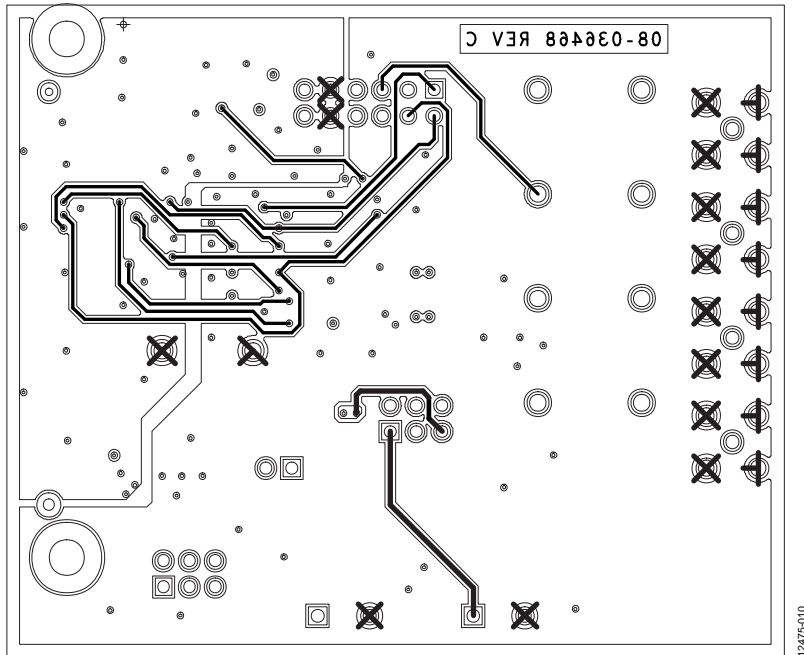


Figure 11. EVAL-AD5696RSDZ Bottom Side Routing

ORDERING INFORMATION

BILL OF MATERIALS

Table 6.

Qty	Reference Designator	Description	Supplier/Part Number ^{1, 2}
1	U1	32 k Ω , I ² C serial EEPROM (24LC32)	FEC/1331330
1	U2	150 mA, low quiescent current, CMOS linear regulator	Analog Devices/ ADP121
1	U3	2.5 V precision micropower, low dropout, low voltage reference	Analog Devices/ REF192
1	U4	Quad, 16-bit nanoDAC+ with 2 ppm/ $^{\circ}$ C on-chip reference and I ² C interface	Analog Devices/ AD5696R
1	U5	Micropower, high accuracy, 5.0 V voltage reference	Analog Devices/ ADR3450
6	C1, C2, C5, C6, C18, C25	Capacitor, 0.1 μ F, 16 V, 0402	Generic
3	C4, C17, C19	Capacitor, 1 μ F, 25 V, X5R	Generic
3	C3, C20, C24	Capacitor, 10 μ F, 10 V, tantalum	Generic
1	C8	Capacitor, 1 μ F, 16 V, tantalum	Generic
1	C21	Capacitor, 10 μ F, 25 V, X5R	Generic
1	C22	Capacitor, 4.7 μ F, 25 V, X5R	Generic
1	C23	Capacitor, 0.1 μ F, 25 V, X8R	Generic
1	E1	Ferrite bead, 600 Ω	Generic
1	E2	Ferrite bead, 330 Ω	Generic
2	EXTREF, EXTSUP	2-pin terminal block	Generic
1	P1	2-pin link/jumper	Generic
2	REF, PWRSEL	6-pin link/jumper	Generic
1	R12	Resistor, 1.8 Ω , 5%, 1/10 W, thick film chip	Generic
1	R13	Resistor, 0 Ω , SMD	Generic
4	R5, R9, R15, R17	Resistor, 0 Ω , 5%, 1/16 W, 0603	Generic
2	R2, R3	Resistor, 100 k Ω , 1%, 1/10 W	Generic
1	SDP	120-pin female connector	FEC/1324660 or Digi-Key/H1219-ND
2	AGND, DGND	Black test point	Generic
4	SCLK/A0, SDIN/A1, SDO/SDA, SYNCB/SCL	White test point	Generic
4	VOUTA to VOUTD	Red test point	Generic
19	PMOD, C11, C12, C15, C16, R1, R4, R6 to R8, R10, R11, R14, R16, R20, VOUT_A to VOUT_D	Do not insert/do not populate	Not inserted

¹ FEC refers to Farnell Electronic Component Distributors.

² Generic indicates that any device with the specified value, size, and rating can be used.

NOTES

I²C refers to a communications protocol originally developed by Philips Semiconductors (now NXP Semiconductors).



ESD Caution

ESD (electrostatic discharge) sensitive device. Charged devices and circuit boards can discharge without detection. Although this product features patented or proprietary protection circuitry, damage may occur on devices subjected to high energy ESD. Therefore, proper ESD precautions should be taken to avoid performance degradation or loss of functionality.

Legal Terms and Conditions

By using the evaluation board discussed herein (together with any tools, components documentation or support materials, the "Evaluation Board"), you are agreeing to be bound by the terms and conditions set forth below ("Agreement") unless you have purchased the Evaluation Board, in which case the Analog Devices Standard Terms and Conditions of Sale shall govern. Do not use the Evaluation Board until you have read and agreed to the Agreement. Your use of the Evaluation Board shall signify your acceptance of the Agreement. This Agreement is made by and between you ("Customer") and Analog Devices, Inc. ("ADI"), with its principal place of business at One Technology Way, Norwood, MA 02062, USA. Subject to the terms and conditions of the Agreement, ADI hereby grants to Customer a free, limited, personal, temporary, non-exclusive, non-sublicensable, non-transferable license to use the Evaluation Board FOR EVALUATION PURPOSES ONLY. Customer understands and agrees that the Evaluation Board is provided for the sole and exclusive purpose referenced above, and agrees not to use the Evaluation Board for any other purpose. Furthermore, the license granted is expressly made subject to the following additional limitations: Customer shall not (i) rent, lease, display, sell, transfer, assign, sublicense, or distribute the Evaluation Board; and (ii) permit any Third Party to access the Evaluation Board. As used herein, the term "Third Party" includes any entity other than ADI, Customer, their employees, affiliates and in-house consultants. The Evaluation Board is NOT sold to Customer; all rights not expressly granted herein, including ownership of the Evaluation Board, are reserved by ADI. CONFIDENTIALITY. This Agreement and the Evaluation Board shall all be considered the confidential and proprietary information of ADI. Customer may not disclose or transfer any portion of the Evaluation Board to any other party for any reason. Upon discontinuation of use of the Evaluation Board or termination of this Agreement, Customer agrees to promptly return the Evaluation Board to ADI. ADDITIONAL RESTRICTIONS. Customer may not disassemble, decompile or reverse engineer chips on the Evaluation Board. Customer shall inform ADI of any occurred damages or any modifications or alterations it makes to the Evaluation Board, including but not limited to soldering or any other activity that affects the material content of the Evaluation Board. Modifications to the Evaluation Board must comply with applicable law, including but not limited to the RoHS Directive. TERMINATION. ADI may terminate this Agreement at any time upon giving written notice to Customer. Customer agrees to return to ADI the Evaluation Board at that time. LIMITATION OF LIABILITY. THE EVALUATION BOARD PROVIDED HEREUNDER IS PROVIDED "AS IS" AND ADI MAKES NO WARRANTIES OR REPRESENTATIONS OF ANY KIND WITH RESPECT TO IT. ADI SPECIFICALLY DISCLAIMS ANY REPRESENTATIONS, ENDORSEMENTS, GUARANTEES, OR WARRANTIES, EXPRESS OR IMPLIED, RELATED TO THE EVALUATION BOARD INCLUDING, BUT NOT LIMITED TO, THE IMPLIED WARRANTY OF MERCHANTABILITY, TITLE, FITNESS FOR A PARTICULAR PURPOSE OR NON-INFRINGEMENT OF INTELLECTUAL PROPERTY RIGHTS. IN NO EVENT WILL ADI AND ITS LICENSORS BE LIABLE FOR ANY INCIDENTAL, SPECIAL, INDIRECT, OR CONSEQUENTIAL DAMAGES RESULTING FROM CUSTOMER'S POSSESSION OR USE OF THE EVALUATION BOARD, INCLUDING BUT NOT LIMITED TO LOST PROFITS, DELAY COSTS, LABOR COSTS OR LOSS OF GOODWILL. ADI'S TOTAL LIABILITY FROM ANY AND ALL CAUSES SHALL BE LIMITED TO THE AMOUNT OF ONE HUNDRED US DOLLARS (\$100.00). EXPORT. Customer agrees that it will not directly or indirectly export the Evaluation Board to another country, and that it will comply with all applicable United States federal laws and regulations relating to exports. GOVERNING LAW. This Agreement shall be governed by and construed in accordance with the substantive laws of the Commonwealth of Massachusetts (excluding conflict of law rules). Any legal action regarding this Agreement will be heard in the state or federal courts having jurisdiction in Suffolk County, Massachusetts, and Customer hereby submits to the personal jurisdiction and venue of such courts. The United Nations Convention on Contracts for the International Sale of Goods shall not apply to this Agreement and is expressly disclaimed.

©2015–2017 Analog Devices, Inc. All rights reserved. Trademarks and registered trademarks are the property of their respective owners.
UG12475-0-4/17(B)



www.analog.com