

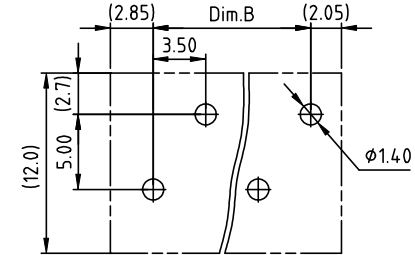
PRODUCT NUMBER	PITCH
HXxx22x100J0G	3.50 mm

N=Number of poles  
 Dim.A=N×3.5+1.0  
 Dim.B=(N-1)×3.5

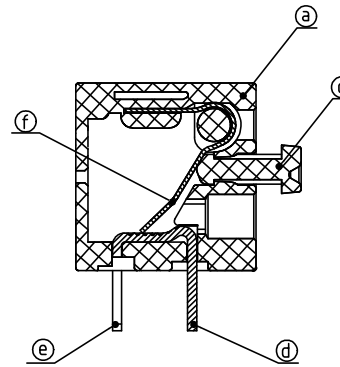
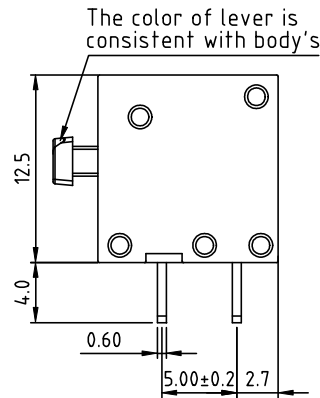
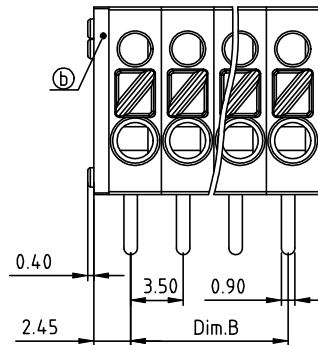
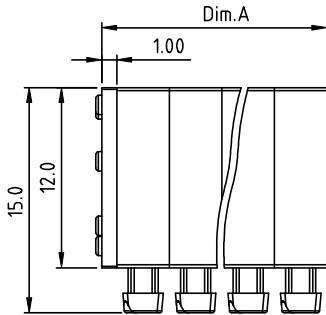
Poles	Dim.A	Dim.B
2p\4p\6p	±0.20	±0.15
8p\10p\12p	±0.25	±0.20
14p\16p\18p	±0.30	±0.25
20p\22p\24p	±0.40	±0.30

PART NO.: HX xx 22 x 1 00J0 G

- |                 |                     |   |
|-----------------|---------------------|---|
| End stackable 0 | Color               | RoHS compliant (lead<4%)<br>In copper Alloy |
| No. of poles 2  | Black (RAL9005)     |   |
| 02 2 poles      | Red (RAL3001/D)     |   |
| 04 4 poles      | Orange(RAL2011/P)   |   |
| ...             | 4 Yellow(RAL1018/A) |   |
| ...             | 5 Green(RAL6018/T)  |   |
| 24 24 poles     | 6 Blue (RAL5015/A)  |   |
|                 | 8 Grey(RAL7004/P)   |   |
|                 | 9 White(RAL1102)    |   |
|                 | C Multiple colors   |   |



RECOMMENDED P.C.B LAYOUT  
TOP VIEW



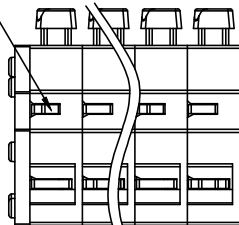
Material:

- Item@ Terminal housing: Thermoplastic (UL94V-0)
- ItemⓅ Terminal cover: Thermoplastic (UL94V-0)
- ItemⒸ Lever: Thermoplastic (UL94V-0)
- ItemⓈ Solder pin (Right): Brass, Tin plated
- ItemⓉ Solder pin (Left): Brass, Tin plated
- ItemⓌ Wire guard: Stainless steel

Electrical cULus

- Voltage rating: AC 300V
- Current rating: 10A
- Wire range:
  - Solid wire(AWG): 16-26
  - Stranded wire(AWG): 16-26
  - Wire strip length: 7-8mm
- Withstanding Voltage: 1.6KV
- Operating temperature: -40°C to +115°C
- Soldering temperature: 260°C±5°C/5 Sec
- Safety Approval:

The 1st pole near the cover is single upper contacts



mat'l. code				surface ASME Y14.5 ✓		tolerance ASME Y14.5		projection		product family			
ltr ecn no dr date				tolerances unless otherwise specified		X.±0.5		MM		TERMINAL BLOCK			
				angles		X.X±0.3				title			
				X'±1"		X.XX±0.1		scale		TERMINAL BLOCK			
				dr EVIN ZHONG 052614				FCI		SPRING CLAMP,180D WIRE INLET			
				enrg EVIN ZHONG 052614						DOUBLE CONTACT,A TYPE,EVEN POLES			
				chr HANKE FENG 052614						dwg no sheet 1 of 2 size			
				appd SHI JUN 052614						HXxx22x100J0G A4			
sheet revision A										type CUSTOMER Drawing			
index sheet 1													

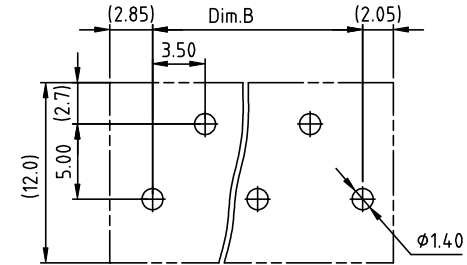
PRODUCT NUMBER	PITCH
HXxx22x100J0G	3.50 mm

N=Number of poles  
 Dim.A=N×3.5+1.0  
 Dim.B=(N-1)×3.5

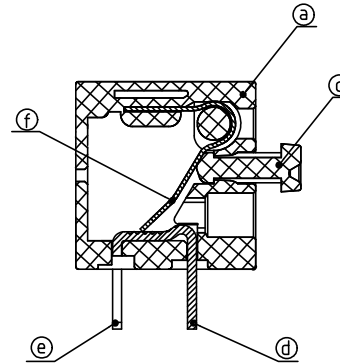
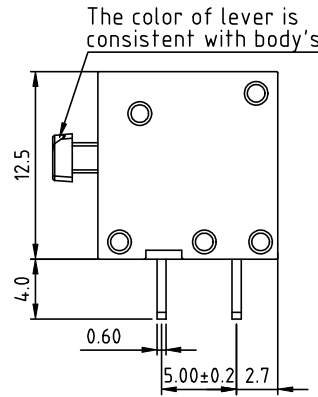
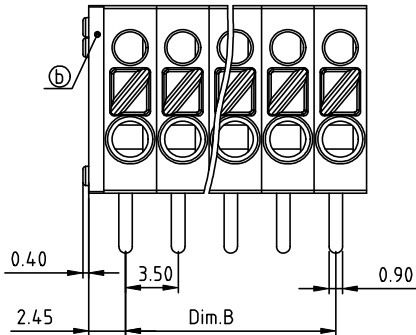
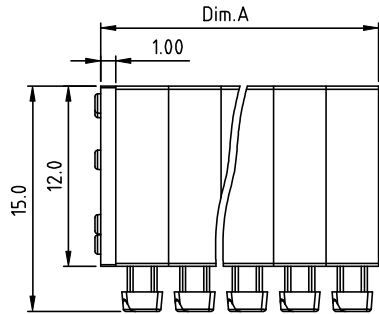
Poles	Dim.A	Dim.B
3p\5p	±0.20	±0.15
7p\9p\11p	±0.25	±0.20
13p\15p\17p	±0.30	±0.25
19p\21p\23p	±0.40	±0.30

PART NO.: HX xx 22 x 1 00J0 G

- |                 |                    |  |
|-----------------|--------------------|--|
| End stackable 0 | Color              | RoHS compliant (lead<4% In copper Alloy) |
| No. of poles 2  | Black (RAL9005)    |  |
| 03 3 poles      | Red (RAL3001/D)    |  |
| 05 5 poles      | Orange(RAL2011/P)  |  |
| ...             | Yellow(RAL1018/A)  |  |
| 23 23 poles     | 5 Green(RAL6018/T) |  |
|                 | 6 Blue (RAL5015/A) |  |
|                 | 8 Grey(RAL7004/D)  |  |
|                 | 9 White(RAL1102)   |  |
|                 | C Multiple colors  |  |



RECOMMENDED P.C.B LAYOUT  
TOP VIEW



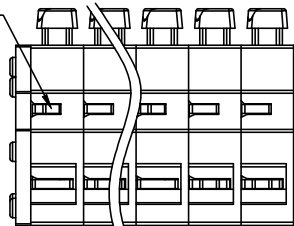
Material:

- Item a Terminal housing: Thermoplastic (UL94V-0)
- Item b Terminal cover: Thermoplastic (UL94V-0)
- Item c Lever: Thermoplastic (UL94V-0)
- Item d Solder pin (Right): Brass, Tin plated
- Item e Solder pin (Left): Brass, Tin plated
- Item f Wire guard: Stainless steel

Electrical

- Voltage rating: AC 300V
- Current rating: 10A
- Wire range:
  - Solid wire(AWG): 16-26
  - Stranded wire(AWG): 16-26
  - Wire strip length: 7-8mm
- Withstanding Voltage: 1.6KV
- Operating temperature: -40°C to +115°C
- Soldering temperature: 260°C±5°C/5 Sec
- Safety Approval: cULus

The 1st pole near the cover is single upper contacts



mat'l. code		surface	tolerance	projection	product family	
		ASME Y14.5	ASME Y14.5		TERMINAL BLOCK	
ltr	ecn no	dr	date	title		
				TERMINAL BLOCK		
				SPRING CLAMP, 180D WIRE INLET		
				DOUBLE CONTACT, A TYPE, ODD POLES		
				scale		
				sheet 2 of 2 size		
				HXxx22x100J0G		
				type		
				CUSTOMER Drawing		
sheet	revision	A				
index	sheet	2				