

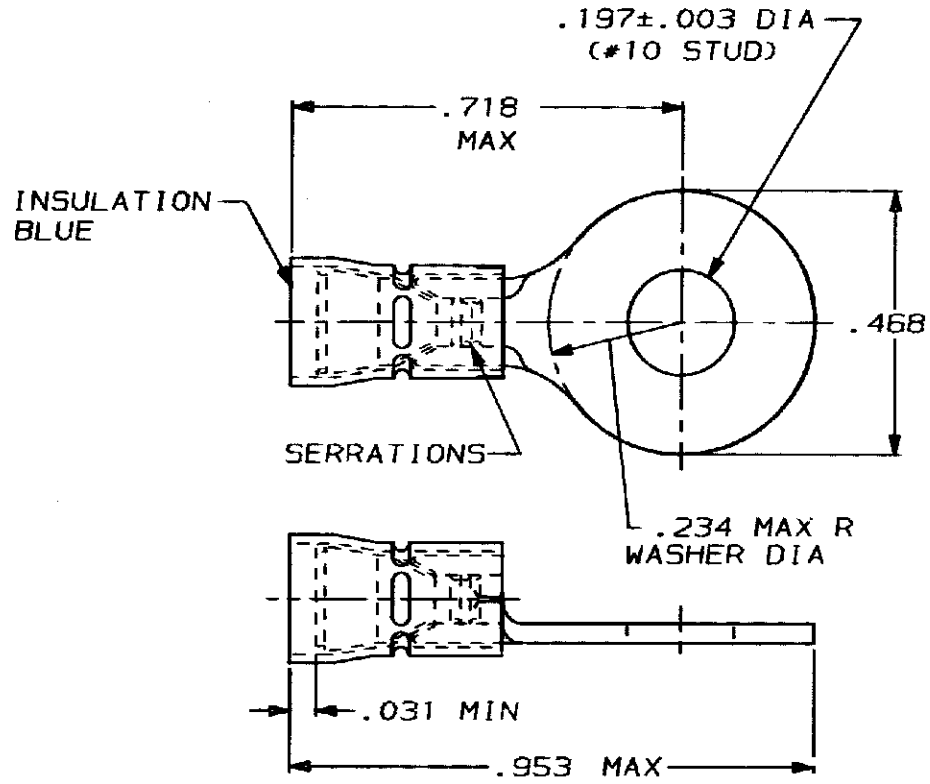
DRAWING MADE IN THIRD ANGLE PROJECTION

THIS DRAWING IS A CONTROLLED DOCUMENT FOR AMP INCORPORATED. IT IS SUBJECT TO CHANGE AND THE CONTROLLING ENGINEERING ORGANIZATION SHOULD BE CONTACTED FOR THE LATEST REVISION.

LOC	DIST	P	F	LTR	REVISIONS	DATE	APPROVED
G	14				B REV/G-0212-92	LO 1/93	MLE

THIS DRAWING IS UNPUBLISHED. RELEASED FOR PUBLICATION BY AMP INCORPORATED. ALL INTERNATIONAL RIGHTS RESERVED.

© COPYRIGHT 19



TONGUE MATERIAL THICKNESS: $.040 \pm .002$
 FOR $.105/.150$ WIRE INS. DIA

DO NOT SCALE PRINT. UNLESS SPECIFIED DIMENSIONS IN mm (1/16) TOLERANCES ON: 2 PLC DEC ± - 3 PLC DEC ± .000 ANGLES ± -		DR 1/93 LENNEL OLVEDA	AMP AMP Incorporated Harrisburg, PA 17105-3608
MATERIAL COPPER ANNEALED	CHK 1/93 MARTA L ELLIS	APPD 1/93 MARTA L ELLIS	
FINISH HOT ELECTRO-TINNED	APPD 1/93 MARTA L ELLIS	PRODUCT SPEC -	NAME PIDG RING TONGUE TERMINAL (NYLON), 20-16 HD
WEIGHT -	APPLICATION SPEC -	SCALE NONE	SIZE A
			CAGE CODE 00779
			DRAWING NO C-150247
			SHEET 1 OF 1

AMP 1489-32 REV 3-92

14 JAN 1993 15:13:11 AMP12368 <U5128A>DEPT1131>AMP12368 U. JBUS U. MARTA CUSTOMER DRAWING