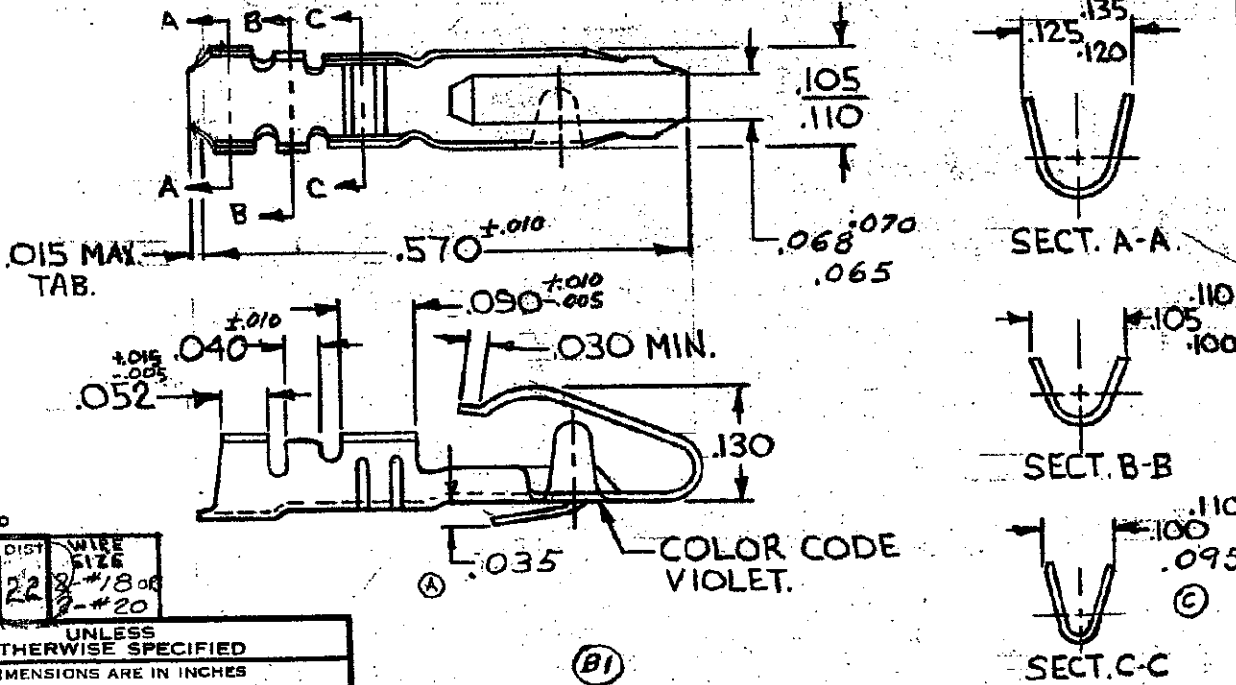


© 1969 BY AMP INCORPORATED. ALL RIGHTS RESERVED. AMP PRODUCTS COVERED BY PATENTS AND/OR PATENTS PENDING.

REVISIONS			
SYM	DESCRIPTION	DATE	APPD
E	REV PER AD1327	7-24-86	CP / HGR
F	OBS PER AD1831	3-22-88	LB HGR
G	OBS-2 PER ECN 0679-93	7-93	RAC
H	REV PER EC 0310-319-97	20 Nov 97	NJ



AMP INFO		
LOC	PRINT DIST	WIRE SIZE
FT	22	18 or 20

UNLESS OTHERWISE SPECIFIED DIMENSIONS ARE IN INCHES TOLERANCES ON		
FRACTIONS ± #	DECIMALS ±.005	ANGLES ± #
MATERIAL 0100 COML. PHOS BRONZE		
REF. INSUL. RANGE 2 - .080 DIA. MAX.		
FINISH SEE TABLE		

SIGNATURE	DATE
DR <i>M.A. Malley</i>	8/10/64
CHK <i>D.S. Heide</i>	8/10/64
DSGN ENGR	
APPD <i>R. Showman</i>	8/11/64
<i>R. Kelly</i>	8/11/64

66028-5	OBSOLETE	000015 GOLD / 000050 NICKEL
66028-4	OBSOLETE	000060 GOLD / 000100 NICKEL
66028-3		000030 GOLD / NICKEL
66028-2	OBSOLETE	TIN
66028-1		NONE
PART NO.	FINISH	

AMP AMP INCORPORATED HARRISBURG, PENNSYLVANIA

NAME
AMP LEAF CONTACT,
LOOSE PIECE

DSGN APPD	CODE IDENT NO	SIZE	NUMBER
OTHER APPD	00779	A	66028
SCALE 5-	WT	CALC	ACTUAL
			SHEET 1 OF 1