

A

B

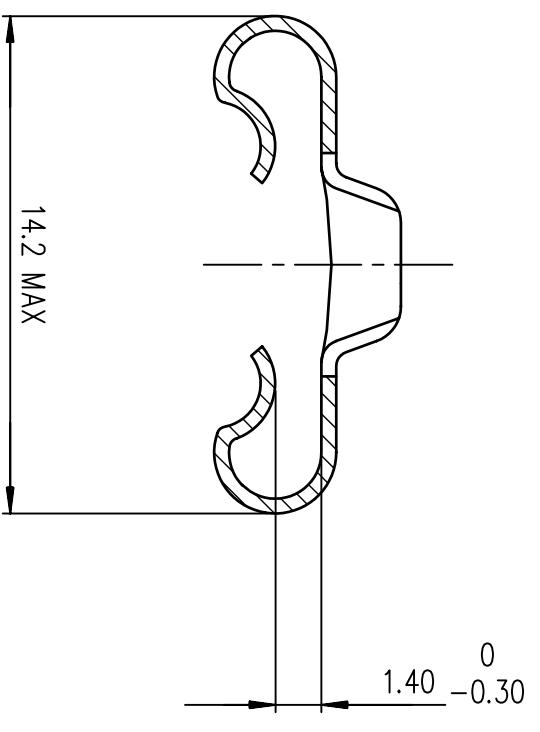
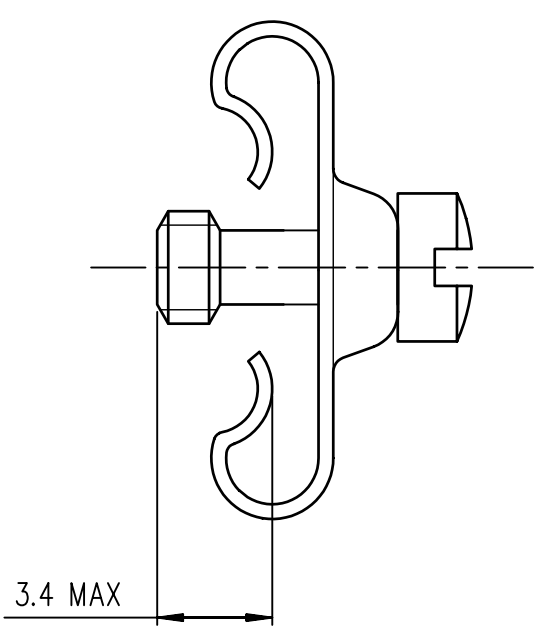
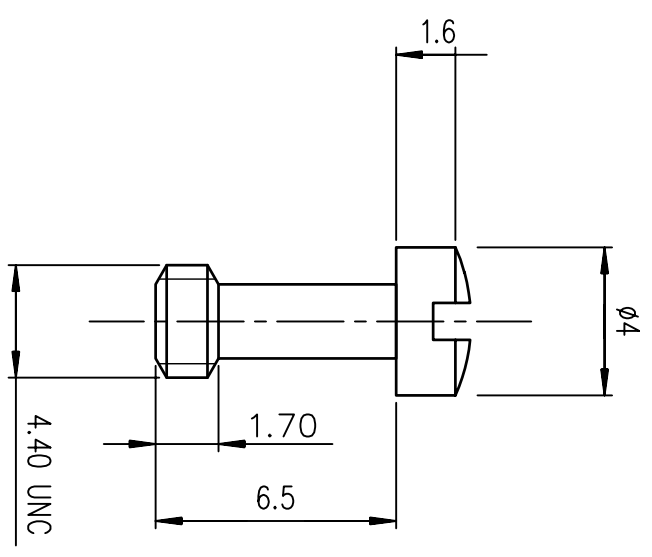
C

D

NOTES

Packaging:
per 100 pieces.
Corrosion resistance:
24 hours exposure to salt spray

ASSEMBLY VIEW



Part number	863008AT
Part number	863008ATLF

NOTE: RoHS INFORMATIONS

- The "LF" products meet European union Directives and other country regulations as described in GS-22-008.
- Plating Sn (pure bright) over copper
- Packaging spec: see GS-14-920

rev	ecn no	dr	date
B	-	JOU	2003/01/28
C	LS05-0026	MPE	2005/07/08
D	LS06-0097	LGO	2006/07/28
E	I11-0022	AMR	2011/01/25
F	ELX-H-01663	PK	2012/05/09
G	ELX-H-01686	PK	2012/05/21

www.fciconnect.com		surface	ISO 1302	tolerance std	ISO 406 ISO 1101	projection	mm
Dr	JOUBERT	ANGULAR	✓	TOLERANCES UNLESS OTHERWISE SPECIFIED		size	A3
Eng	PESSON	LINEAR	0.X	±0.1	ECN	Scale	5
Chr	ABHILASH	0.XX	0.XX	±0.1	ELX-H-011686		
Appr	SUDHIR	±2	0.XXX	±0.1	Product family	Spec ref	-
FCI logo		Product family	D-SUB		Rev.	G	
MALE SCREW LOCKS		Product family	D-SUB		Rev.	G	
catalog no	-	Product family	D-SUB		Rev.	G	
Customer	C01-8655-0653	Product family	D-SUB		Rev.	G	
sheet	1 of 1	Product family	D-SUB		Rev.	G	

European Views