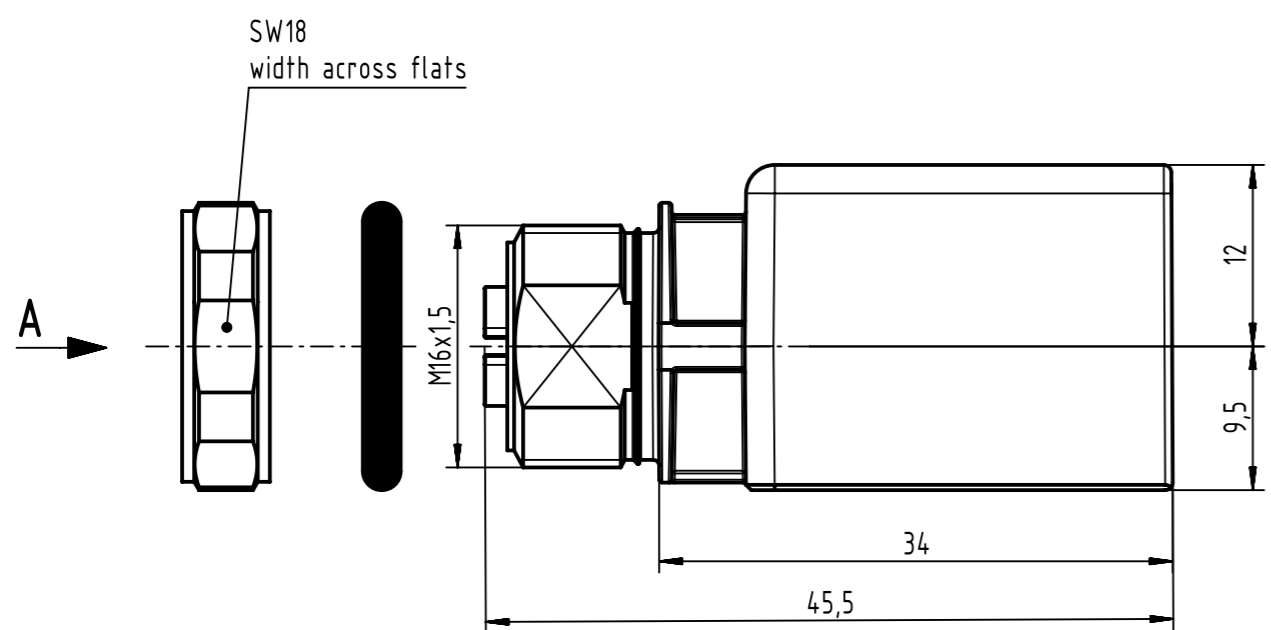
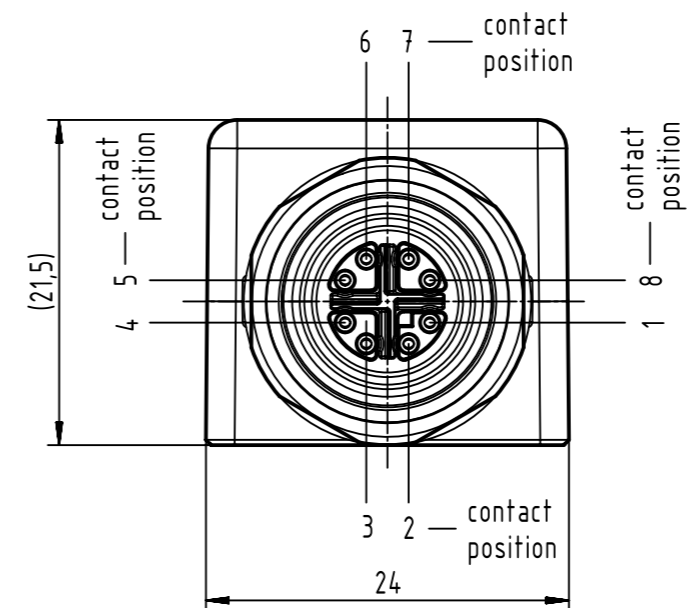


mating face acc. to IEC 60603-7

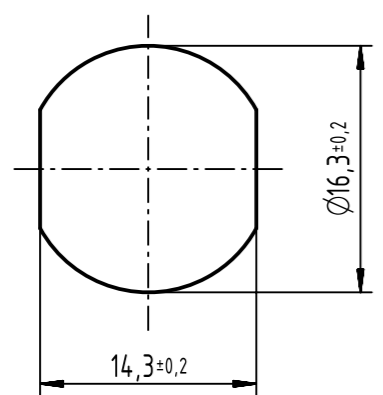
contact position



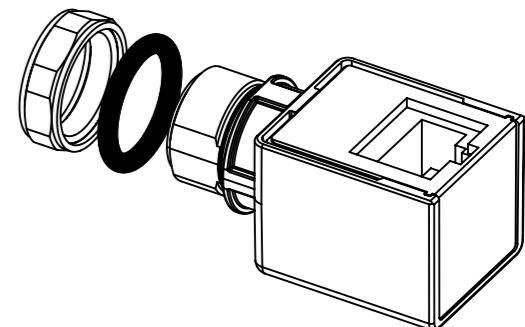
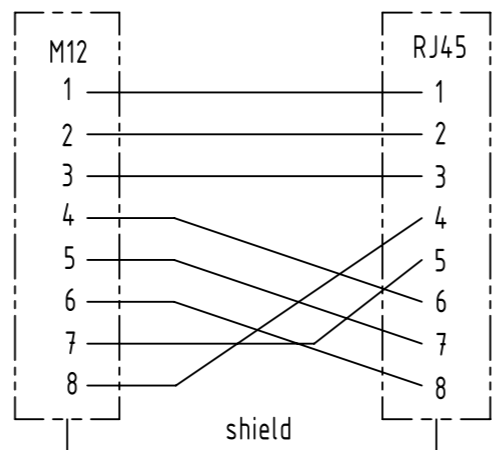
contact face acc. to IEC 61076-2-109



A
panel cut-out



circuit diagram



	All rights reserved Department EC PD - DE	Created by STORCK	Inspected by WELLMANN	Standardisation KOHLER	Date 2015-08-05	State Final Release	Ref. Sub. 21033814800 500000092825 2014.07.18
							Title har-speed adapter M12-RJ45, angled
HARTING Electronics GmbH D-32339 Espelkamp		Type TB	Number 21033814800		Doc-Key / ECM-Nr. 100230266/UGD/008/E 500000092825	Rev. E	Page 1/1