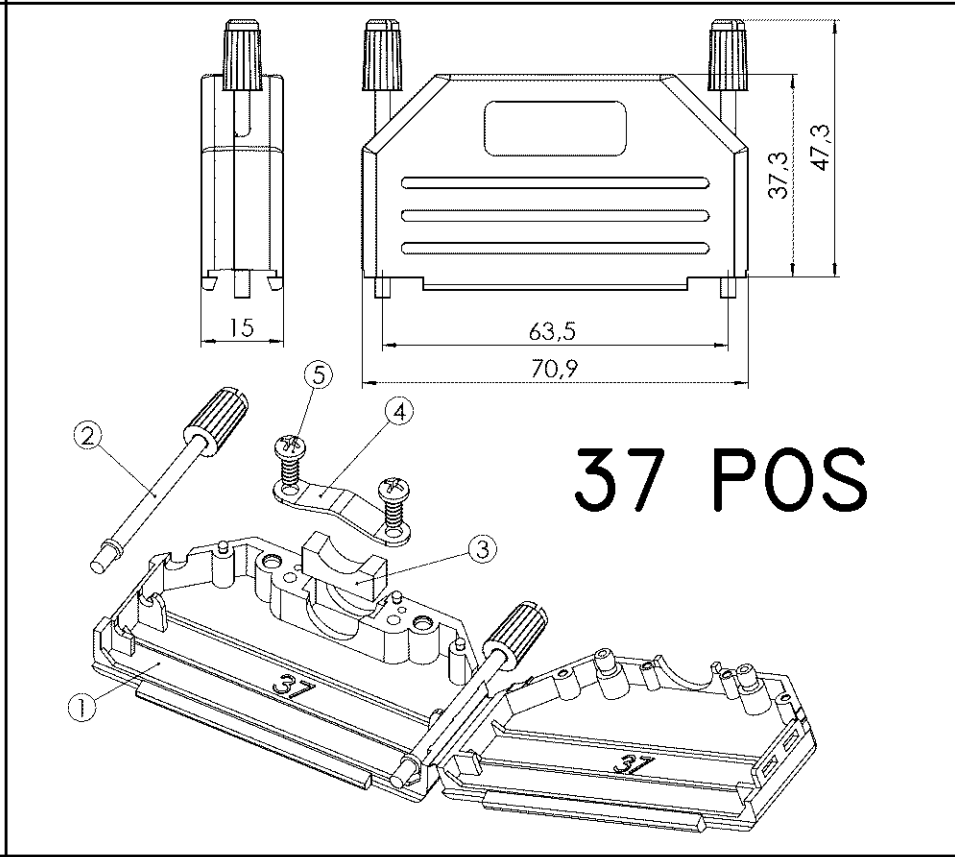
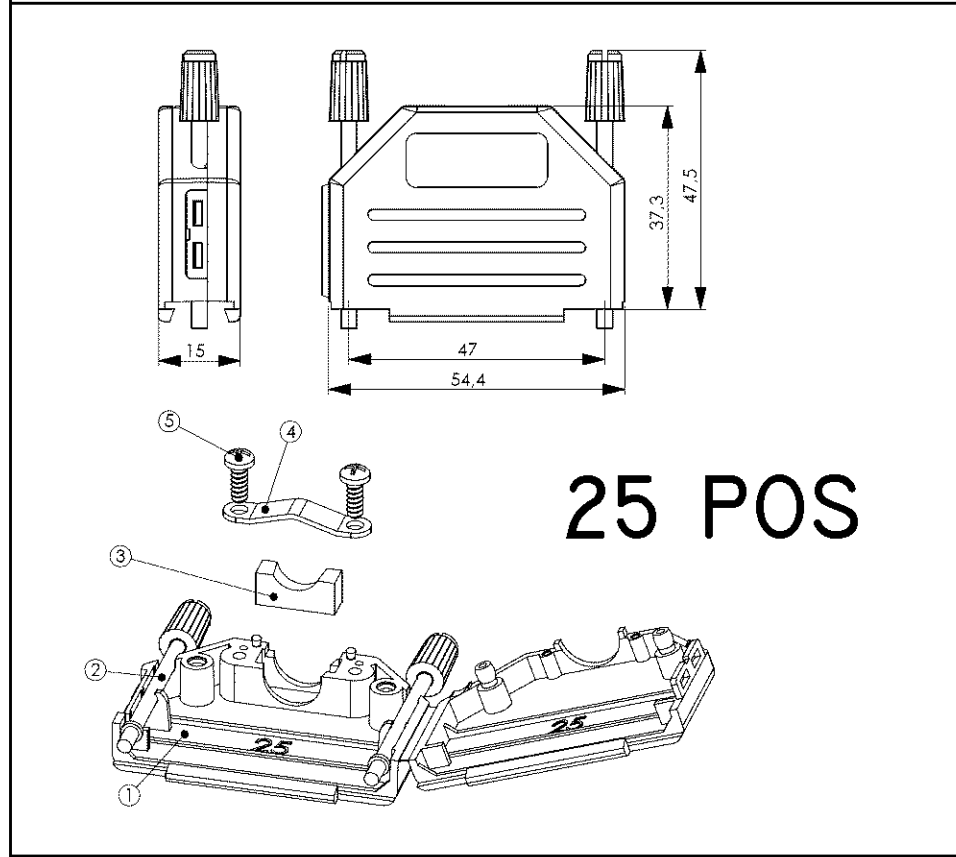
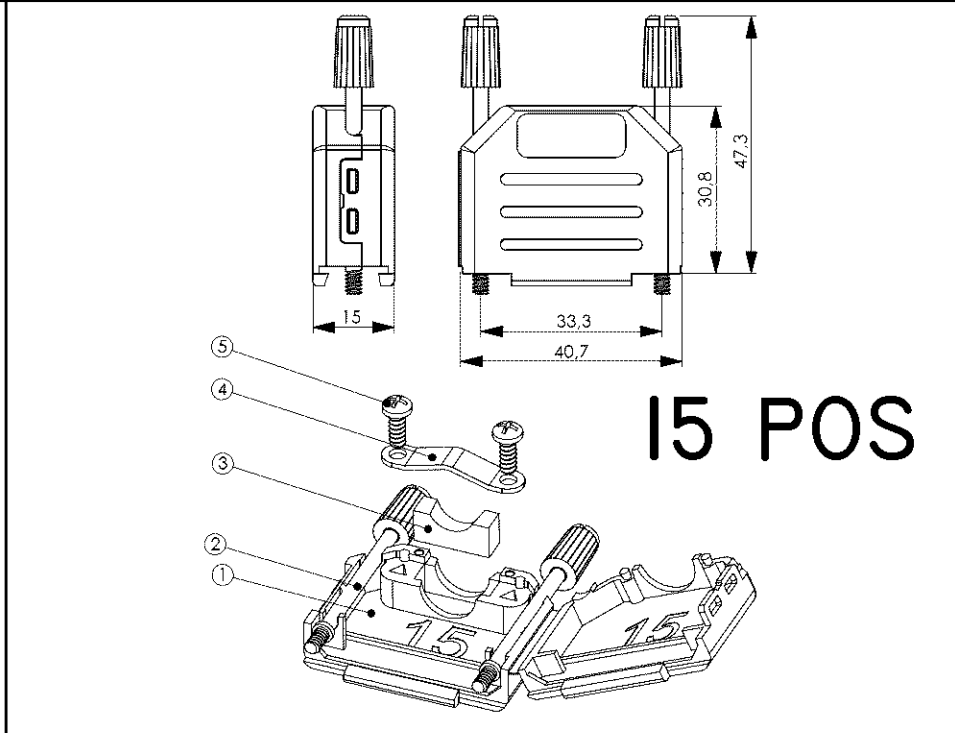
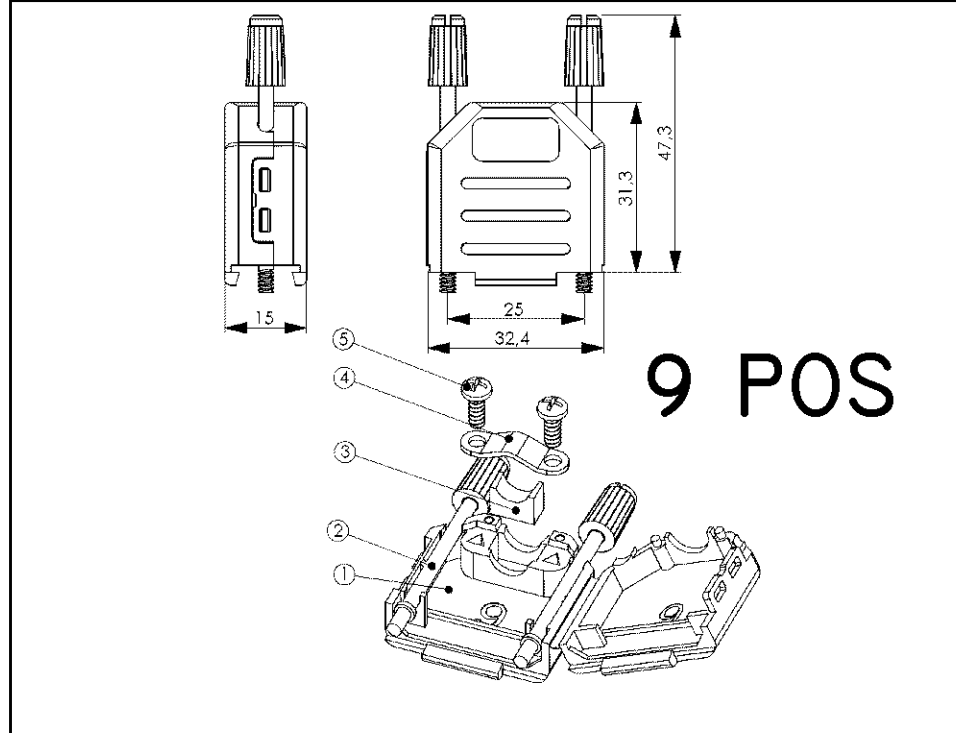


THIS DRAWING IS UNPUBLISHED. RELEASED FOR PUBLICATION  
 © COPYRIGHT - BY TYCO ELECTRONICS CORPORATION. ALL RIGHTS RESERVED.

LOC H  
 DIST -

REVISIONS				
P	LTR	DESCRIPTION	DATE	APVD
A		FIRST ISSUE	14MAY07	DC TdB
A1		REVISED PER ECO-09-026495	NOV09	KK AEG



**NOTES:**

- 1) CABLE DIAMETER 3 TO 11 MM DEPENDING ON PLACEMENT OF THE GROMMET.
- 2) MINIMUM ORDER QUANTITY FOR ALL PARTNUMBERS 100 KITS
- 3) OBSOLETE PARTS: OBSOLETE CIS STREAMLINING PER D.RENAUD/D.SINISI

D-SUBMINIATURE COVER KIT			
PARTNUMBER	POSITION	THREAD JACKSCREW	COLOR
5-885000-1	9	#4-40 UNC	BLACK
5-885000-2	15	#4-40 UNC	BLACK
5-885000-3	25	#4-40 UNC	BLACK
5-885000-4	39	#4-40 UNC	BLACK
<del>2-885000-1</del> 3	9	M3	BLACK
<del>2-885000-2</del> 3	15	M3	BLACK
<del>2-885000-3</del> 3	25	M3	BLACK
<del>2-885000-4</del> 3	39	M3	BLACK

ITEM	QTY	DESCRIPTION	MATERIAL
1	1	COVER	NYLON 6 UL94V-2
2	2	JACKSCREW	NI PLATED BRASS
3	1	GROMMET	NYLON 6 UL94V-2
4	1	CABLE CLAMP	ZN PLATED STEEL
5	2	SELF TAPPING SCREW	ZN PLATED STEEL

THIS DRAWING IS A CONTROLLED DOCUMENT FOR TYCO ELECTRONICS CORPORATION IT IS SUBJECT TO CHANGE AND THE CONTROLLING ENGINEERING ORGANIZATION SHOULD BE CONTACTED FOR THE LATEST REVISION.

DIMENSIONS:		TOLERANCES UNLESS OTHERWISE SPECIFIED:	
mm		0 PLC	±-
		1 PLC	±-
		2 PLC	±-
		3 PLC	±-
		4 PLC	±-
		ANGLES	±-

MATERIAL - FINISH -

DWN	14MAY07	<b>tyco</b> Electronics	TYCO ELECTRONICS NEDERLAND B.V.	
CHK	14MAY07		's-HERTOGENBOSCH, THE NETHERLANDS	
DWN	14MAY07	NAME	SUB-D COVER KIT; 9, 15, 25 OR 39 POS.	
APVD	14MAY07		M3 OR #4-40 UNC TRHEADED JACKSCREW	
PRODUCT SPEC	-	SIZE	CAGE CODE	DRAWING NO
APPLICATION SPEC	-	A3	00779	2-885000-1
WEIGHT	-	SCALE		REV
CUSTOMER DRAWING	-	NTS		A1