

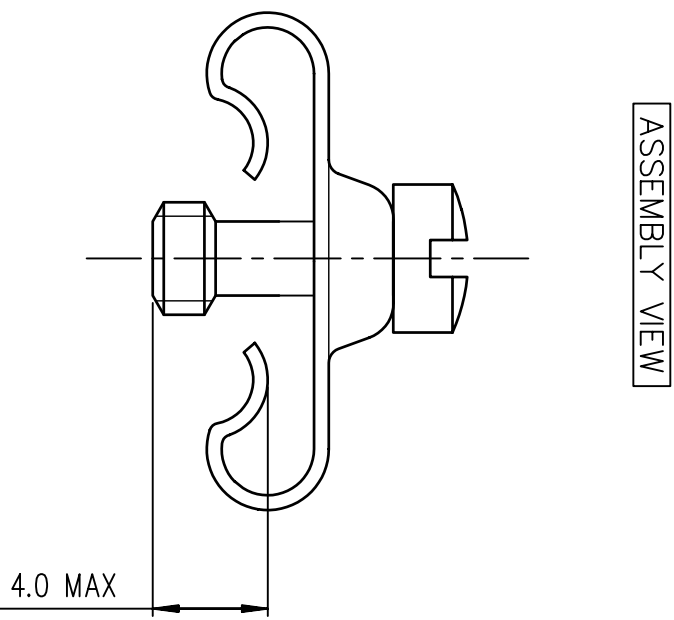
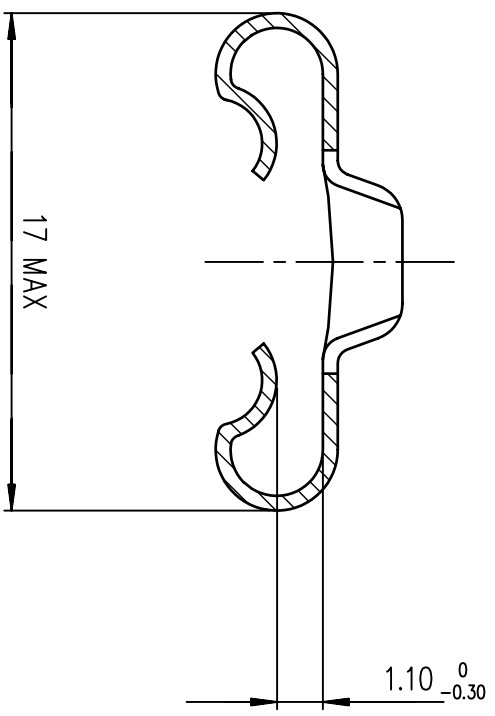
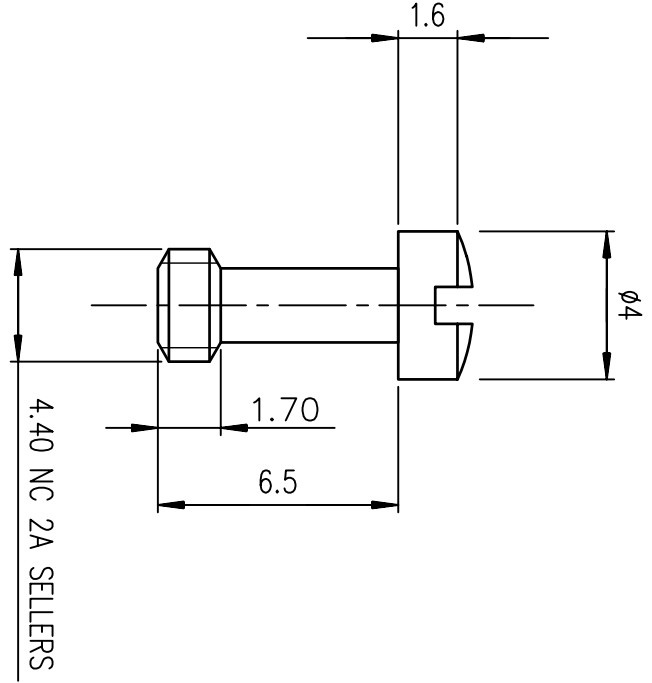
A

B

C

D

NOTES
 Pieces assembly
 Packaging : per 100 pieces
 Material : steel
 Plating : tin
 Thread : UNC 4.40



NOTE:RoHS INFORMATIONS

- The "LF" products meet European union Directives and other country regulations as described in GS-22-008.
- Plating Sn (pure bright) over copper
- Packaging spec: see GS-14-920

rev	ecn no	dr	date
H	EX-H-011683	PK	2012/05/09
J	EX-H-011686	PK	2012/05/21
C	LS06-0097	LGO	2006/07/28
D	LS09-0006	PCR	2009/01/08
E	I09-0168	AMR	2009/08/14
F	I11-0022	AMR	2011/01/25
G	I11-0165	PK	2011/10/05

Part number **863003ATLF**

www.fciconnect.com		surface ISO 1302	tolerance std ISO 406 ISO 1101	projection	Scale
Dr BART	2004/02/26	ANGULAR	0.X	mm	5
Eng PESSON	2004/02/26	LINEAR	0.XX	mm	5
Chr ABHILASH	2009/07/10	0.XX ± 2	0.XXX	mm	5
Appr SUDHIR	2009/07/10	Product family	±0.1	mm	5
MALE SCREW LOCKS		D-SUB		A3	
SHELL 50		D SUB ACCESSORIES		ECN ELX-H-011686	
catalog no		-		CUSTOMER sheet 1 of 1	
Rev.		-		J	

European Views