

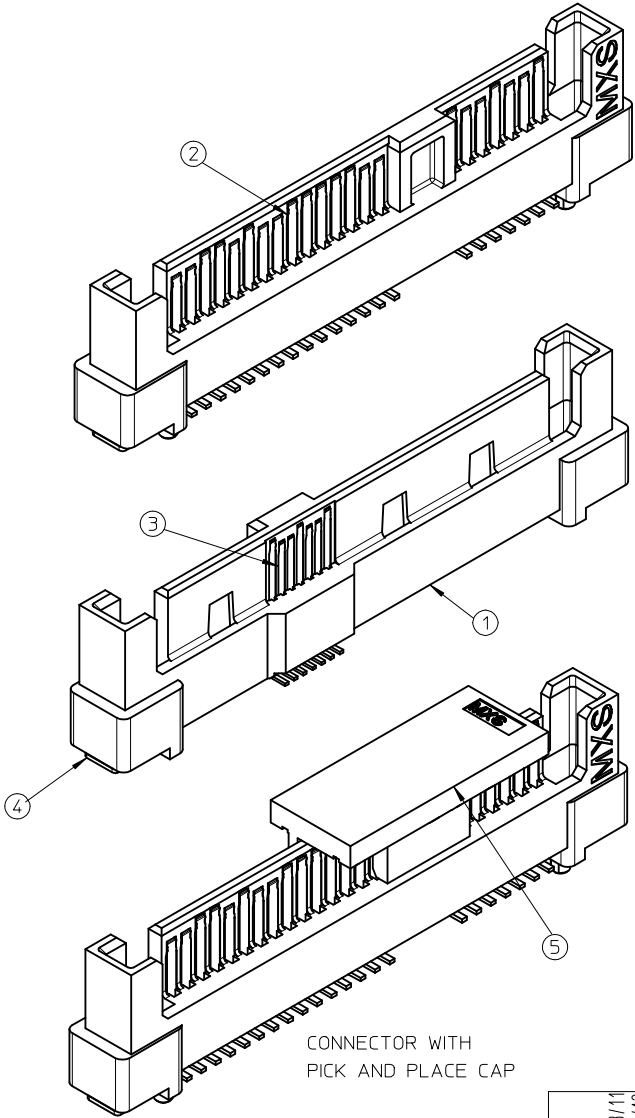
NO.	PART NAME	QTY.	MATERIAL
1	HOUSING	1	NYLON(PA), UL 94V-0, COLOR: BLACK
2	CONTACT A	22	COPPER ALLOY
3	CONTACT B	7	COPPER ALLOY
4	FITTING-NAIL	2	COPPER ALLOY
5	PICK & PLACE CAP	1	PA46, UL 94V-0, COLOR: BLACK

NOTES:

1. MATERIAL: REFER TO THE ABOVE PART-LIST.
2. PLATING SPECIFICATION: REFER TO TABLE-1.
3. APPLICABLE INDUSTRY SPECIFICATION :
SFF-8482 UNSHIELDED DUAL PORT SERIAL ATTACHMENT CONNECTOR.
4. PRODUCT SPECIFICATION: PS-78012-002.
5. PACKING: REFER TO PACKING INFORMATION (SHEET 6/6).
6. DATE CODE FORMAT: YEAR & DAY OF MANUFACTURE.
7. MOLEX LOGO IS LOCATED APPROXIMATELY AS SHOW.
8. MAXIMUM WARPAGE OF 0.13mm OVER THE LENGTH OF THE CONNECTOR IN ANY DIRECTION BEFORE AND AFTER EXPOSURE TO MAX. 260°C FOR 10 SECONDS.

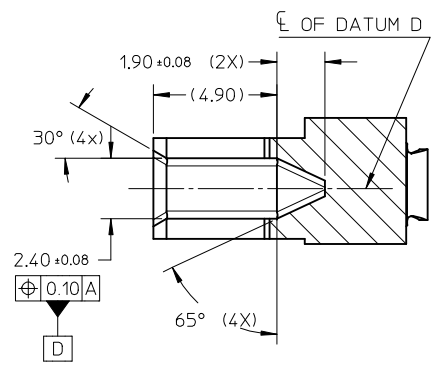
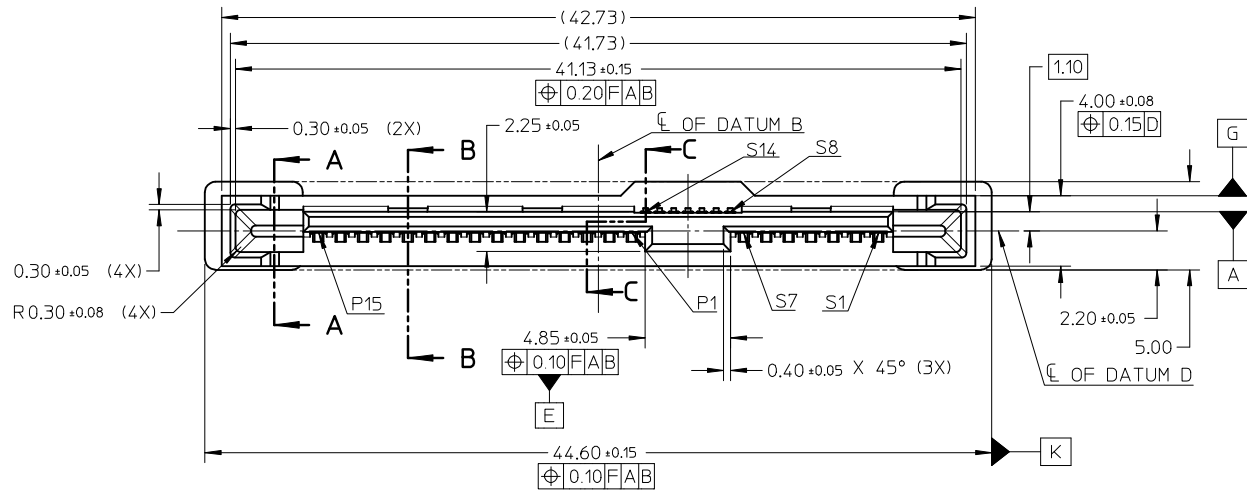
TABLE-1: (CONTACT AND FITTING-NAIL PLATING SPECIFICATION)

PART NAME	MATING AREA	TERMINAL AREA	OTHERS AREA
CONTACT	GOLD (0.764μm MIN.)	TIN (1.914μm MIN.)	NICKEL PLATING
	OVER 1.274μm MIN. NICKEL UNDERPLATE		
FITTING-NAIL	TIN OVER NICKEL UNDERPLATE		

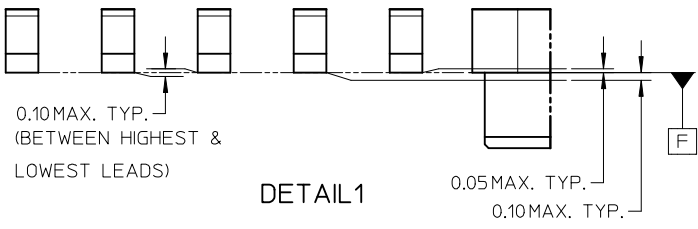
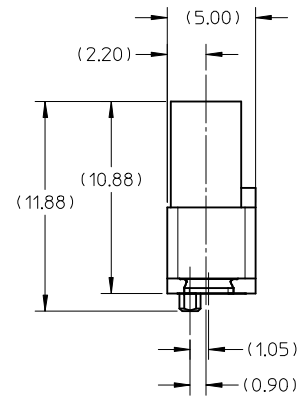
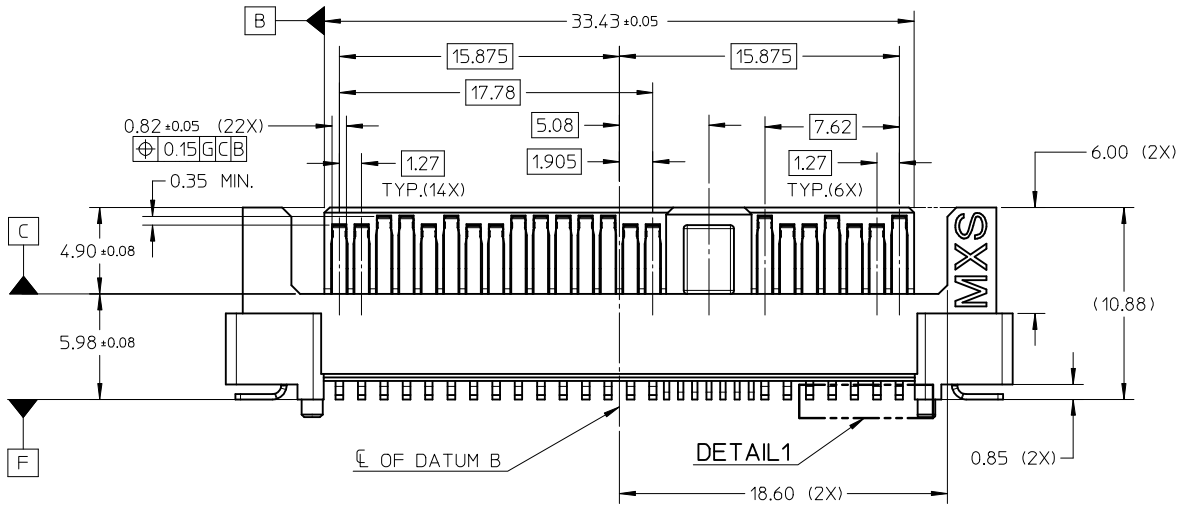


SEE SHEET 6 EC NO: S2009-0661 DRWN:GEMARLY 2009/03/11 CHKD:CGOH 2009/03/12 APPR:BOKOK 2009/03/13	QUALITY SYMBOLS	GENERAL TOLERANCES (UNLESS SPECIFIED)	DIMENSION STYLE	SCALE	DESIGN UNITS	THIRD ANGLE PROJECTION
	▽=0 □=0	mm INCH 4 PLACES ± --- ± --- 3 PLACES ± --- ± --- 2 PLACES ± 0.20 ± --- 1 PLACE ± --- ± --- ANGULAR ± 3 °	MM ONLY	NTS	METRIC	☉ □ THIRD ANGLE PROJECTION
	DESCRIPTION	DRAWN BY	DATE	TITLE		
	REV	CGTAN	2005/11/10	SERIAL ATTACH SCSI (SAS) PLUG, VERTICAL MOUNT SMT		
A2	SHONG	2005/11/24	MOLEX INCORPORATED			
	KCLING	2005/11/24	MATERIAL NO.		DOCUMENT NO.	SHEET NO.
			78012-0011		SD-78012-101	1 OF 6
	DRAFT WHERE APPLICABLE MUST REMAIN WITHIN DIMENSIONS					
	SIZE	THIS DRAWING CONTAINS INFORMATION THAT IS PROPRIETARY TO MOLEX INCORPORATED AND SHOULD NOT BE USED WITHOUT WRITTEN PERMISSION				
	A3					

10 9 8 7 6 5 4 3 2 1



SECTION A-A

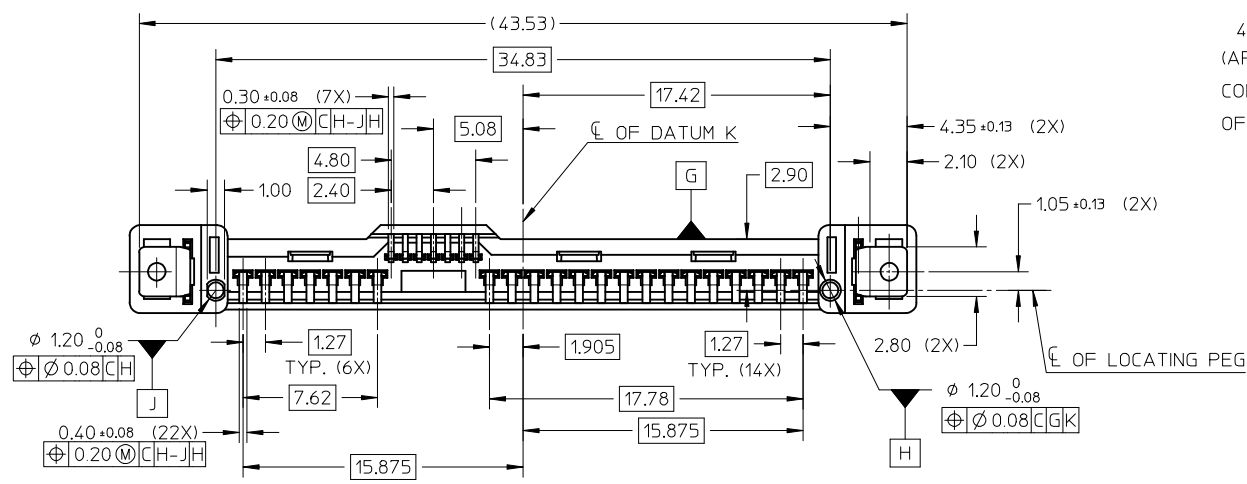
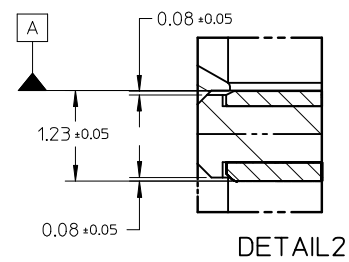
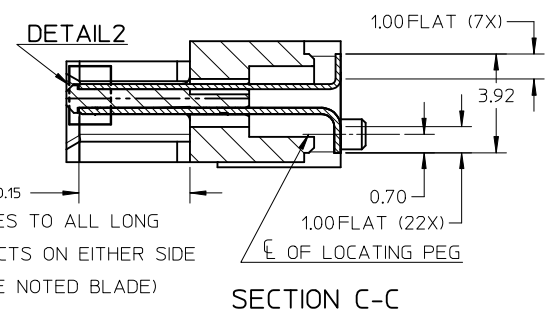
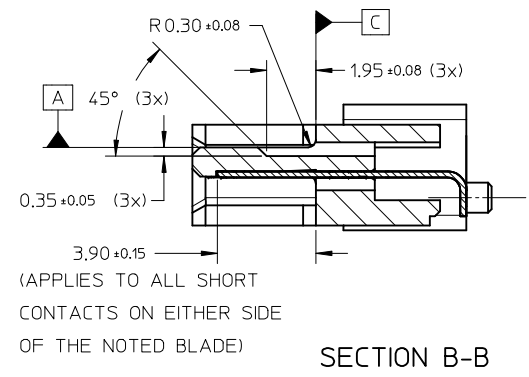
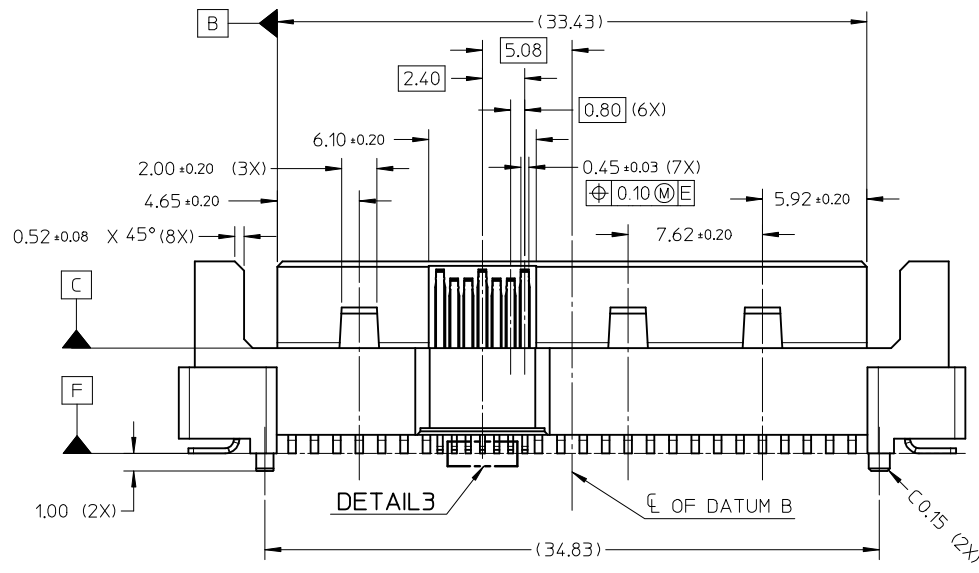


DETAIL 1

SEE SHEET 6 EC NO: S2009-0661 DRWING: MEMARLY 2009/03/11 CHKD: CGOH 2009/03/12 APPR: BOKOK 2009/03/13	QUALITY SYMBOLS ▽=0 ◻=0	GENERAL TOLERANCES (UNLESS SPECIFIED) <table border="1"> <tr> <th></th> <th>mm</th> <th>INCH</th> </tr> <tr> <td>4 PLACES</td> <td>± ---</td> <td>± ---</td> </tr> <tr> <td>3 PLACES</td> <td>± ---</td> <td>± ---</td> </tr> <tr> <td>2 PLACES</td> <td>± 0.20</td> <td>± ---</td> </tr> <tr> <td>1 PLACE</td> <td>± ---</td> <td>± ---</td> </tr> </table>		mm	INCH	4 PLACES	± ---	± ---	3 PLACES	± ---	± ---	2 PLACES	± 0.20	± ---	1 PLACE	± ---	± ---	DIMENSION STYLE MM ONLY	SCALE NTS	DESIGN UNITS METRIC	THIRD ANGLE PROJECTION
		mm	INCH																		
4 PLACES	± ---	± ---																			
3 PLACES	± ---	± ---																			
2 PLACES	± 0.20	± ---																			
1 PLACE	± ---	± ---																			
DRAWN BY: CGTAN CHECKED BY: SHONG APPROVED BY: KCL ING	DATE: 2005/11/10 DATE: 2005/11/24 DATE: 2005/11/24	TITLE SERIAL ATTACH SCSI (SAS) PLUG, VERTICAL MOUNT SMT	MATERIAL NO. 78012-0011	DOCUMENT NO. SD-78012-101	SHEET NO. 2 OF 6	THIS DRAWING CONTAINS INFORMATION THAT IS PROPRIETARY TO MOLEX INCORPORATED AND SHOULD NOT BE USED WITHOUT WRITTEN PERMISSION															

9 8 7 6 5 4 3 2 1

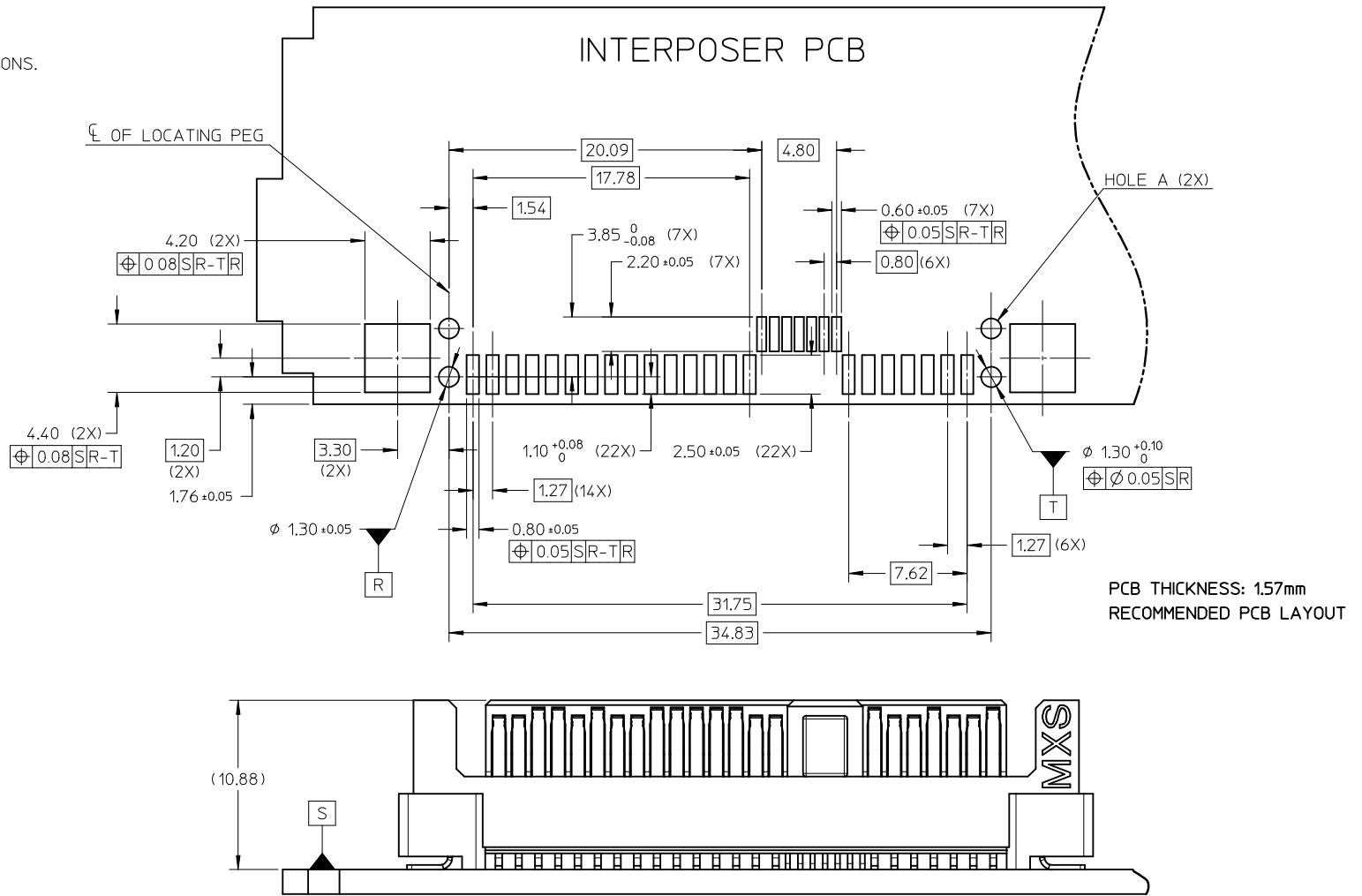
10 9 8 7 6 5 4 3 2 1



SEE SHEET 6 EC NO: S2009-0661 DRWING: EMERALY 2009/03/11 CHK'D: CGOH 2009/03/12 APPR: BOKOK 2009/03/13	QUALITY SYMBOLS	GENERAL TOLERANCES (UNLESS SPECIFIED)		DIMENSION STYLE	SCALE	DESIGN UNITS	THIRD ANGLE PROJECTION
	▽=0 ◻=0	mm	INCH	MM ONLY	NTS	METRIC	
		4 PLACES ± --- ± ---	DRAWN BY	DATE	TITLE		
		3 PLACES ± --- ± ---	CGTAN	2005/11/10	SERIAL ATTACH SCSI (SAS) PLUG, VERTICAL MOUNT SMT		
	2 PLACES ± 0.20 ± ---	CHECKED BY	DATE	MOLEX INCORPORATED			
	1 PLACE ± --- ± ---	SHONG	2005/11/24	DOCUMENT NO.			
	ANGULAR ± 3 °	APPROVED BY	DATE	SHEET NO.			
		KCLING	2005/11/24	3 OF 6			
		MATERIAL NO.		THIS DRAWING CONTAINS INFORMATION THAT IS PROPRIETARY TO MOLEX INCORPORATED AND SHOULD NOT BE USED WITHOUT WRITTEN PERMISSION			
				78012-0011			
				SD-78012-101			

9 8 7 6 5 4 3 2 1

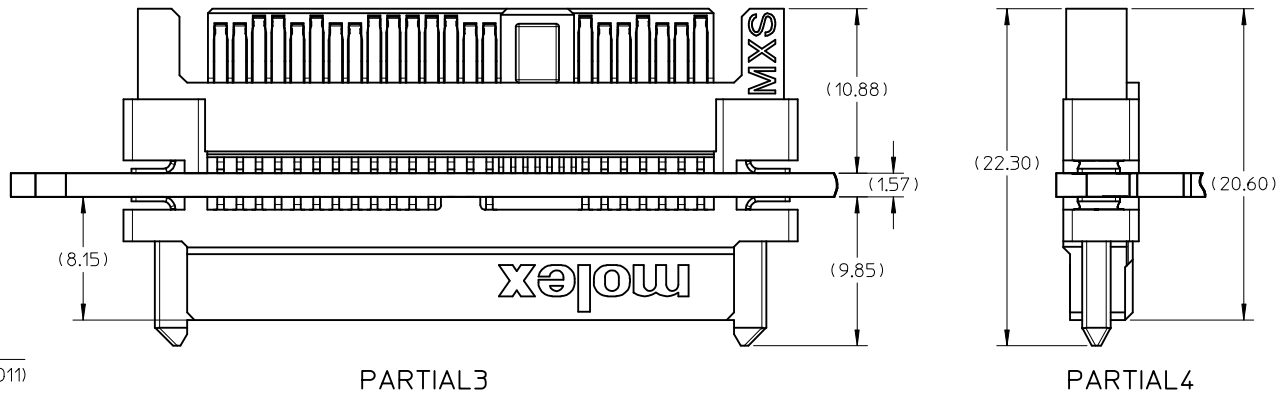
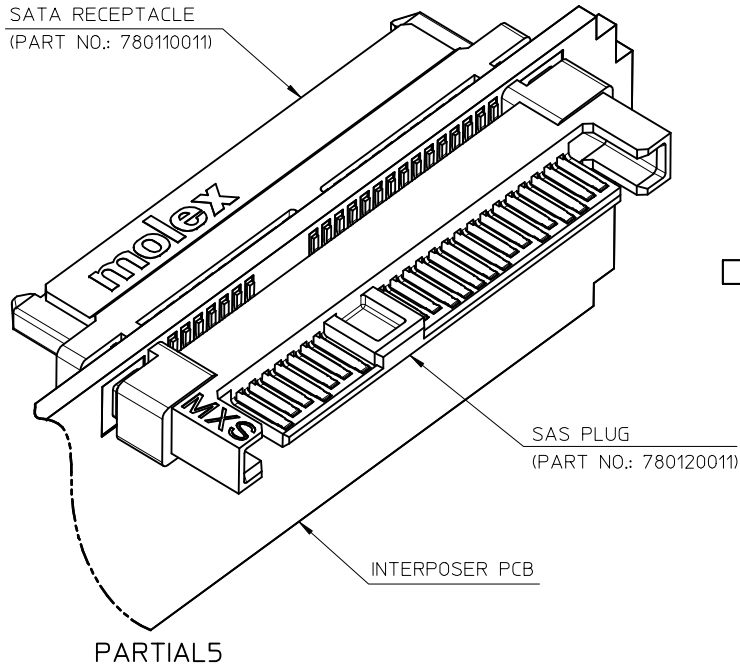
NOTES:
 1. REFER TO SD-78011-101
 FOR HOLES A DETAIL DIMENSIONS.



PCB THICKNESS: 1.57mm
 RECOMMENDED PCB LAYOUT

SEE SHEET 6 EC NO: S2009-0661 DRW: GEMARLY CHKD: CGOH APPR: BOKOK	QUALITY SYMBOLS $\nabla=0$ $\square=0$	GENERAL TOLERANCES (UNLESS SPECIFIED) mm INCH 4 PLACES \pm --- \pm --- 3 PLACES \pm --- \pm --- 2 PLACES ± 0.20 \pm --- 1 PLACE \pm --- \pm --- ANGULAR $\pm 3^\circ$	DIMENSION STYLE MM ONLY DRAWN BY: CGTAN DATE: 2005/11/10 CHECKED BY: SHONG DATE: 2005/11/24 APPROVED BY: KCLING DATE: 2005/11/24	SCALE: NTS DESIGN UNITS: METRIC THIRD ANGLE PROJECTION	TITLE: SERIAL ATTACH SCSI (SAS) PLUG, VERTICAL MOUNT SMT MOLEX INCORPORATED DOCUMENT NO. SD-78012-101 SHEET NO. 4 OF 6	
	DRAFT WHERE APPLICABLE MUST REMAIN WITHIN DIMENSIONS	MATERIAL NO. 78012-0011	THIS DRAWING CONTAINS INFORMATION THAT IS PROPRIETARY TO MOLEX INCORPORATED AND SHOULD NOT BE USED WITHOUT WRITTEN PERMISSION			
	REV: A2	DESCRIPTION:				

NOTES:
 1. APPLICATION AS SHOWN IN SHEET 5/6.
 2. REFER TO SD-78011-101 FOR THE DETAILS OF SATA RECEPTACLE.

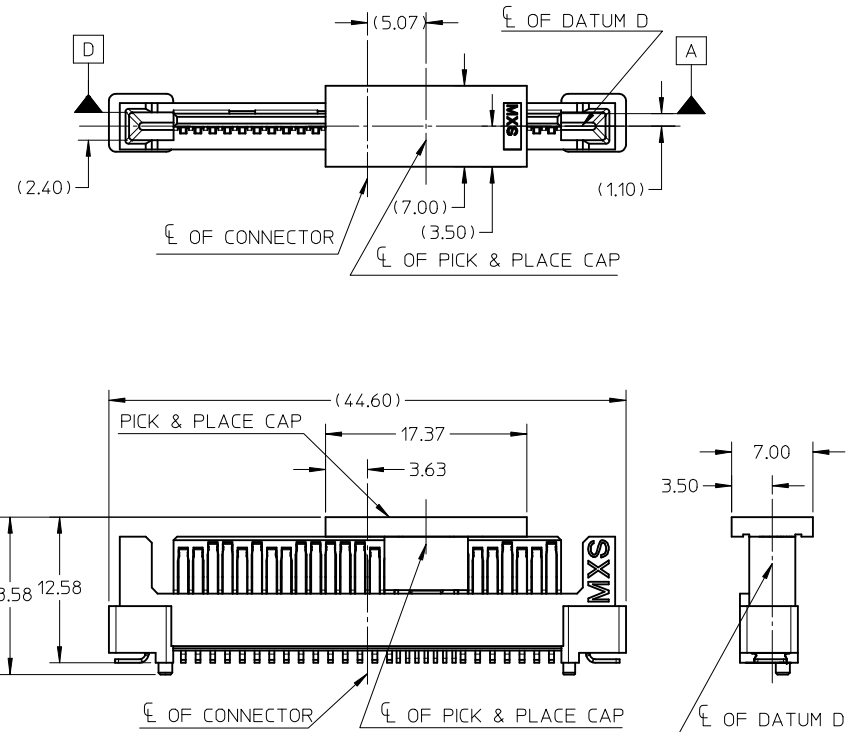
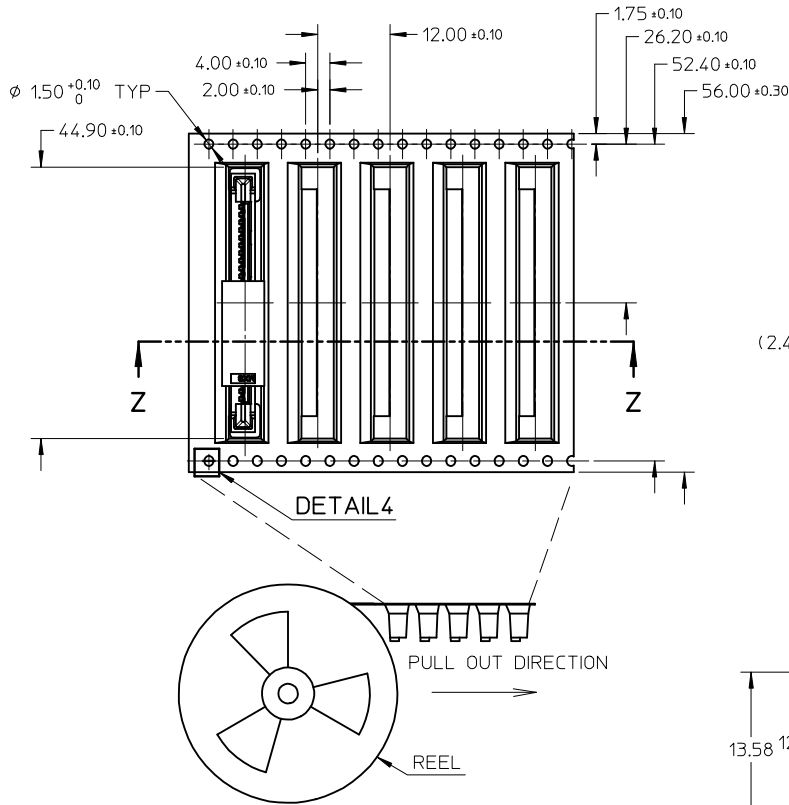
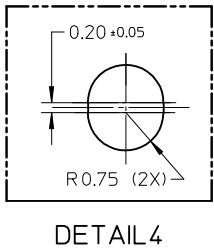
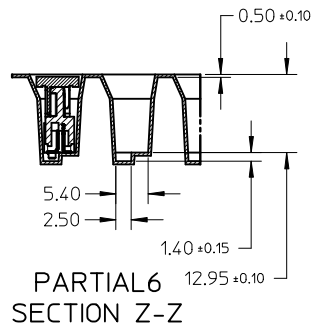


SEE SHEET 6 EC NO: S2009-0661 DRWN: GEMARLY 2009/03/11 CHKD: CGOH 2009/03/12 APPR: BOKOK 2009/03/13	QUALITY SYMBOLS	GENERAL TOLERANCES (UNLESS SPECIFIED)	DIMENSION STYLE	SCALE	DESIGN UNITS	THIRD ANGLE PROJECTION
	▼=0 □=0	mm INCH 4 PLACES ± --- ± --- 3 PLACES ± --- ± --- 2 PLACES ± 0.20 ± --- 1 PLACE ± --- ± --- ANGULAR ± 3 °	MM ONLY	NTS	METRIC	
	DESCRIPTION	DRAFT WHERE APPLICABLE MUST REMAIN WITHIN DIMENSIONS	DRAWN BY DATE CGTAN 2005/11/10 CHECKED BY DATE SHONG 2005/11/24 APPROVED BY DATE KCLING 2005/11/24	TITLE SERIAL ATTACH SCSI (SAS) PLUG, VERTICAL MOUNT SMT		
	REV		MATERIAL NO.	MOLEX INCORPORATED DOCUMENT NO.		SHEET NO.

78012-0011 SD-78012-101 5 OF 6

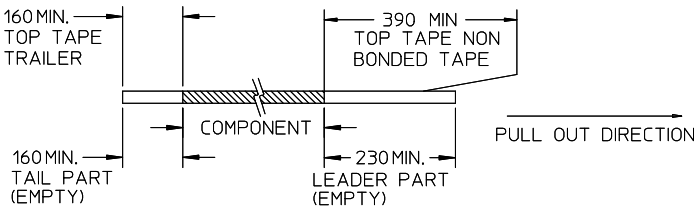
THIS DRAWING CONTAINS INFORMATION THAT IS PROPRIETARY TO MOLEX INCORPORATED AND SHOULD NOT BE USED WITHOUT WRITTEN PERMISSION

TAPE & REEL PACKING

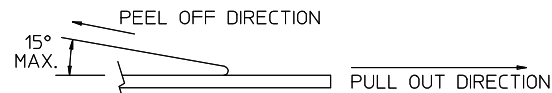


NOTES:

1. LEADER AND TRAILER TAPE



2. PEELING OFF FORCE OF THE TOP TAPE: 80gf MAX. (PEELING DIRECTION AS SHOWN IN FOLLOWING FIGURE)



- 3. TAPE AND REEL SPECIFICATION IS AS PER EIA-481.
- 4. TAPE AND REEL QUANTITY : 250 PCS/ REEL.
- 5. THE TAPE IS TREATED FOR ANTI-STATIC.

CHANGED T&R QTY EC NO: S2009-0661 DRWING: MENARLY CHK'D: CGOH APPR: BOKOK	2009/03/11 2009/03/12 2009/03/13	DESCRIPTION A2	QUALITY SYMBOLS	GENERAL TOLERANCES (UNLESS SPECIFIED)	DIMENSION STYLE	SCALE	DESIGN UNITS	THIRD ANGLE PROJECTION
			▼=0 □=0	mm INCH 4 PLACES ± --- ± --- 3 PLACES ± --- ± --- 2 PLACES ± 0.20 ± --- 1 PLACE ± --- ± --- ANGULAR ± 3 °	MM ONLY	NTS	METRIC	
				DRAWN BY: CGTAN DATE: 2005/11/10 CHECKED BY: SHONG DATE: 2005/11/24 APPROVED BY: KCLING DATE: 2005/11/24	TITLE	SERIAL ATTACH SCSI (SAS) PLUG, VERTICAL MOUNT SMT		
			DRAFT WHERE APPLICABLE MUST REMAIN WITHIN DIMENSIONS	MATERIAL NO. 78012-0011 SIZE A3	DOCUMENT NO. SD-78012-101 SHEET NO. 6 OF 6	MOLEX INCORPORATED		
THIS DRAWING CONTAINS INFORMATION THAT IS PROPRIETARY TO MOLEX INCORPORATED AND SHOULD NOT BE USED WITHOUT WRITTEN PERMISSION								