

4

3

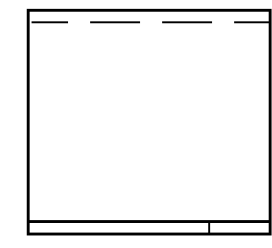
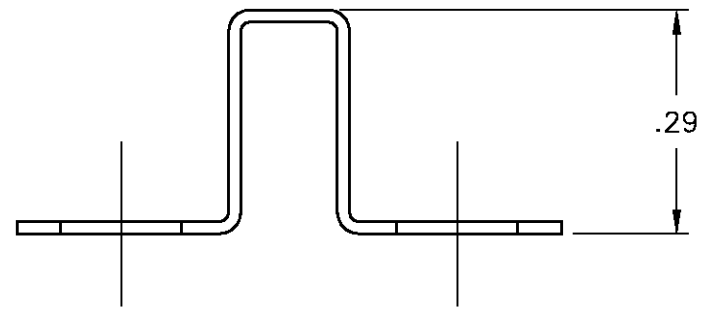
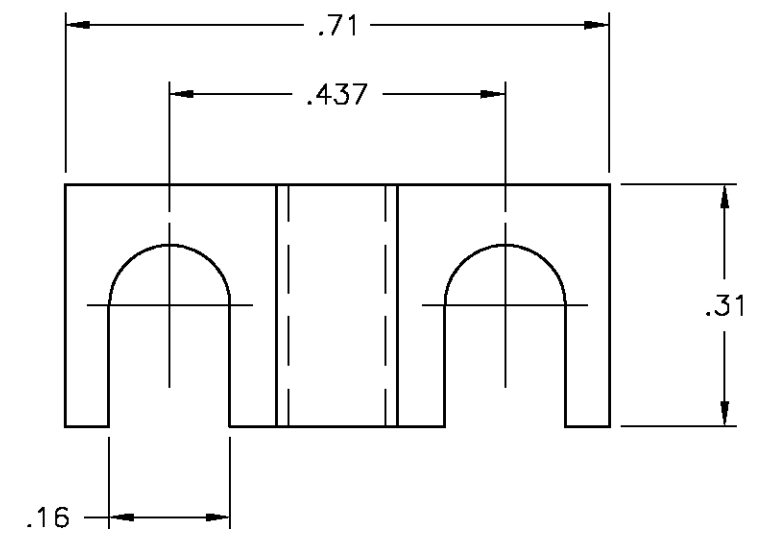
2

1

THIS DRAWING IS UNPUBLISHED. RELEASED FOR PUBLICATION
 © COPYRIGHT - BY TYCO ELECTRONICS CORPORATION. ALL RIGHTS RESERVED.

LOC	DIST	REVISIONS			
P	LTR	DESCRIPTION	DATE	DWN	APVD
FT	0	A	REVISED PER 0G3B-1158-04	12/13/04	SS SRY

NOTES:
 1 MATERIAL: .016 THICK, BRASS.
 2 FINISH: BRIGHT TIN PLATE.



1776058-1
 PART NUMBER

THIS DRAWING IS A CONTROLLED DOCUMENT.		DWN S SCHLEGEL 05MAY04	BUCHANAN Tyco Electronics Corporation Harrisburg, Pa 17105-3608		
DIMENSIONS: INCHES		CHK S YODER 5/5/04			
TOLERANCES UNLESS OTHERWISE SPECIFIED:		APVD S YODER 5/5/04	NAME .4375 JUMPER, SPADE TYPE, LOW BARRIER STYLE		
0 PLC ± 0.3 1 PLC ± 0.25 2 PLC ± 0.12 3 PLC ± - 4 PLC ± - ANGLES ± 3°		PRODUCT SPEC -	-		
MATERIAL - 1		APPLICATION SPEC -	SIZE A3	CAGE CODE 00779	DRAWING NO C-1776058
FINISH - 2		WEIGHT -	RESTRICTED TO -		
CUSTOMER DRAWING			SCALE 4:1	SHEET 1 OF 1	REV A