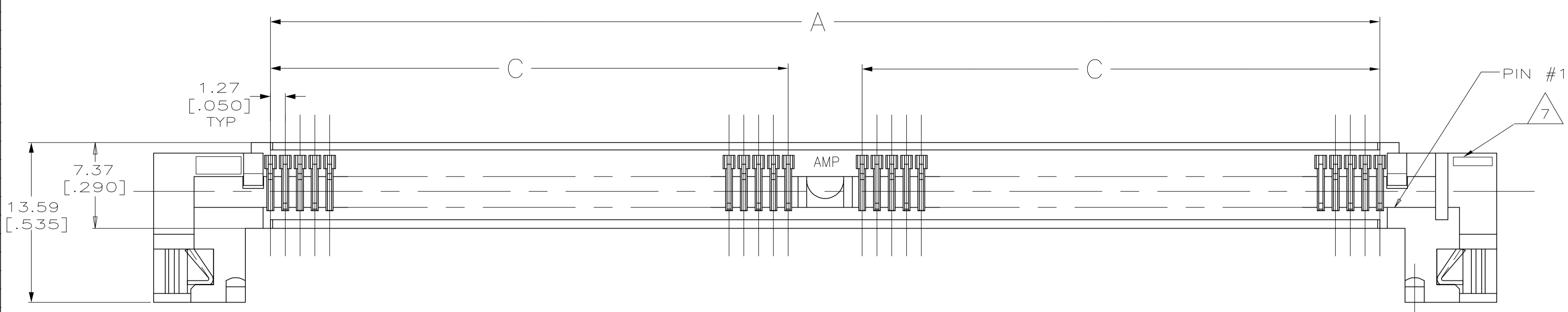
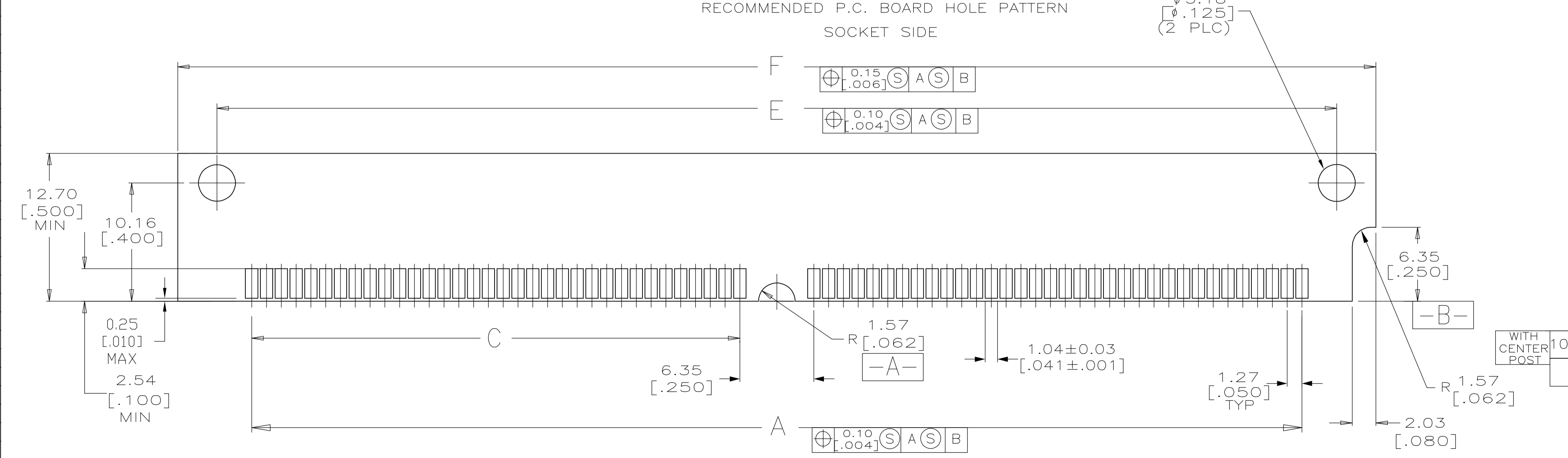
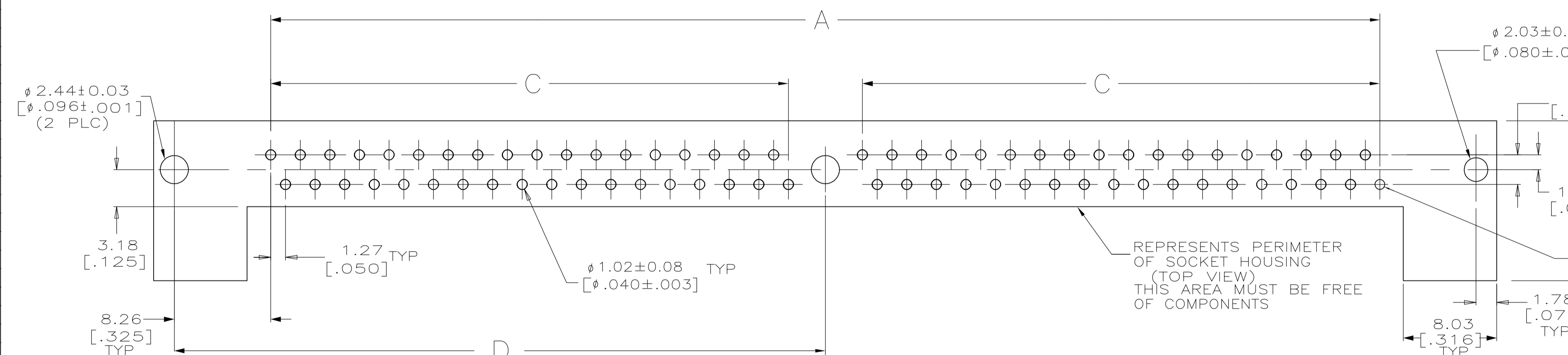
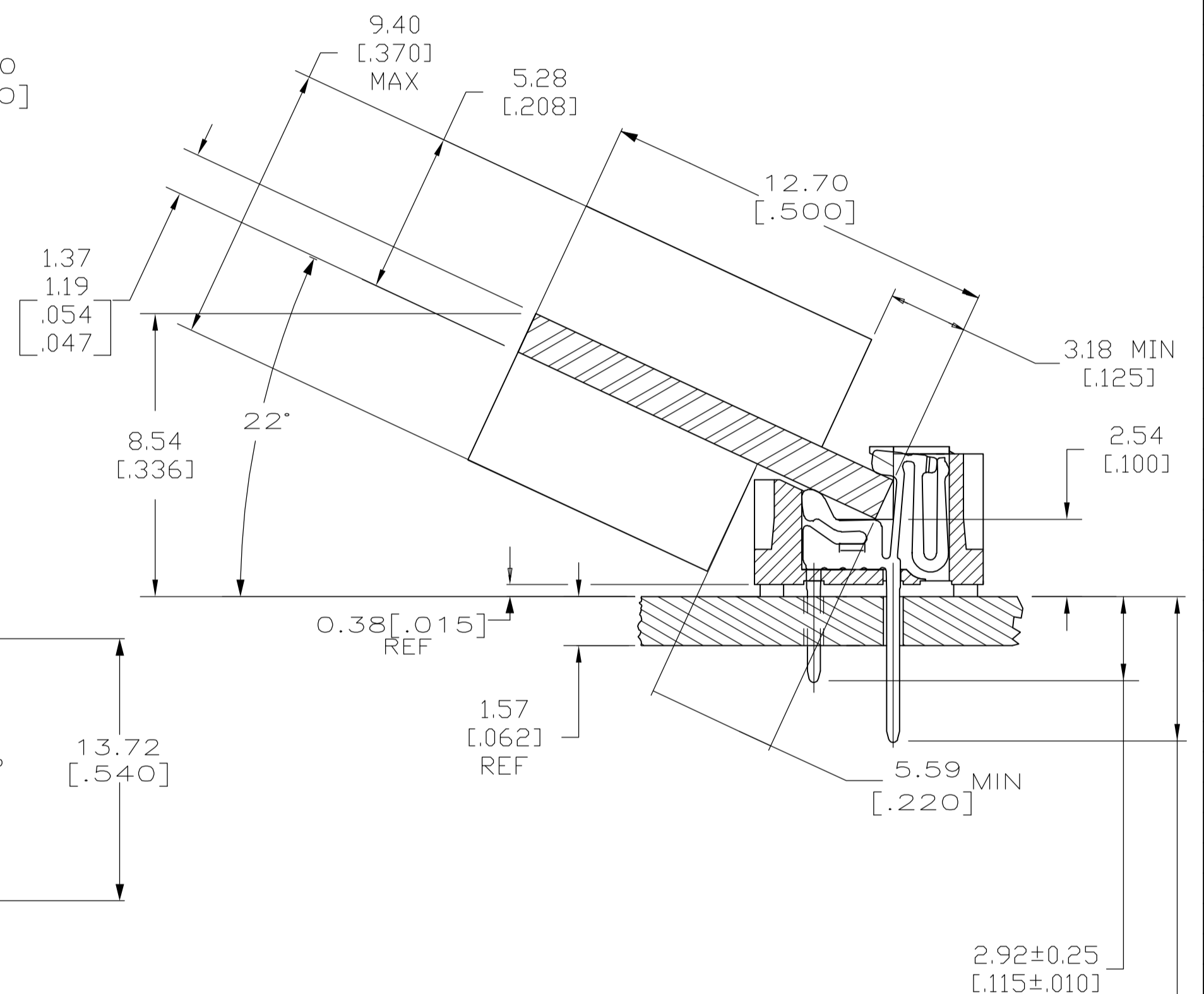
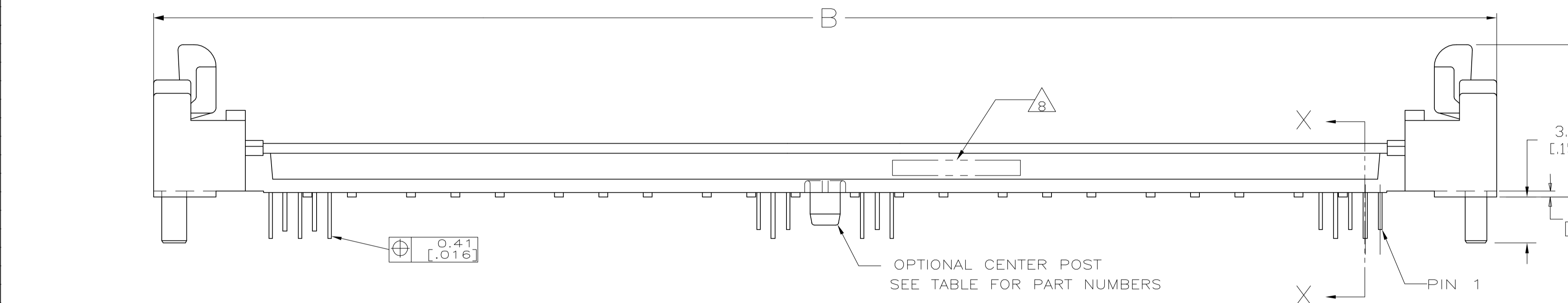


LOC		DIST		REVISONS			
GP	00	REV	DATE	BY	APP'D	DATE	BY
B		REVISED PER ECO-06-007841	19JUL06	JDP	MB		



- ① HOUSING-MATERIAL : LIQUID-CRYSTAL-POLYMER.
- ② CONTACT-MATERIAL : PHOS. BRONZE.
- ③ LATCH-MATERIAL : STAINLESS STEEL.
- ④ CONTACT-PLATE: 0.00508[.000200] MIN. MATTE TIN OVER 0.00127 [.000050] MIN NICKEL.
- 5. IN ADDITION TO THOSE RECOMMENDED "SIMM" P.C. BOARD DIMENSIONS AND TOLERANCES SHOWN, ALL JEDEC SPECIFICATIONS APPLY AS SHOWN ON MO-116, ISSUE A.
- 6. RECOMMENDED MATING S.I.M.M. TAB METALLURGY:  
 BASE METAL-COPPER. PLATING TO BE 0.00762[.000300] MIN TIN/LEAD OVER 0.00127[.000050] MIN NICKEL.
- ⑦ 'S' IDENTIFIER LOCATED APPROXIMATELY AS SHOWN.
- ⑧ DATE CODE INFORMATION (YEAR WEEK), LOCATED APPROXIMATELY AS SHOWN ON OPPOSITE SIDE ONLY.



SECTION X-X  
 SCALE 5:1  
 (BOARDS SHOWN FOR REF ONLY)

WITH CENTER POST	107.95[4.250]	101.19[3.984]	55.88[2.200]	44.45[1.750]	115.32[4.540]	95.25[3.750]	72	5822110-3
	F	E	D	C	B	A	NO. OF POSN	PART NO
THIS DRAWING IS A CONTROLLED DOCUMENT.		DIN 9139 MCMMASTER 06JAN04		Tyco Electronics Corporation		Harrisburg, PA 17105-3608		
DIMENSIONS: mm [INCHES]		TOLERANCES UNLESS OTHERWISE SPECIFIED:		APPROVED: M.YFOMANS 06JAN04		NAME: M.YFOMANS		
0 PLC ± -		1 PLC ± -		2 PLC ± -		PRODUCT SPEC: -		
3 PLC ± 0.13[.005]		4 PLC ± -		APPLICATION SPEC: -		SIZE: A1		
MATERIAL: -		FINISH: -		WEIGHT: -		CUSTOMER DRAWING		
SCALE: 4:1		SHEET: 1 of 1		REV: -		DRAWING NO: 00779C=5822110		