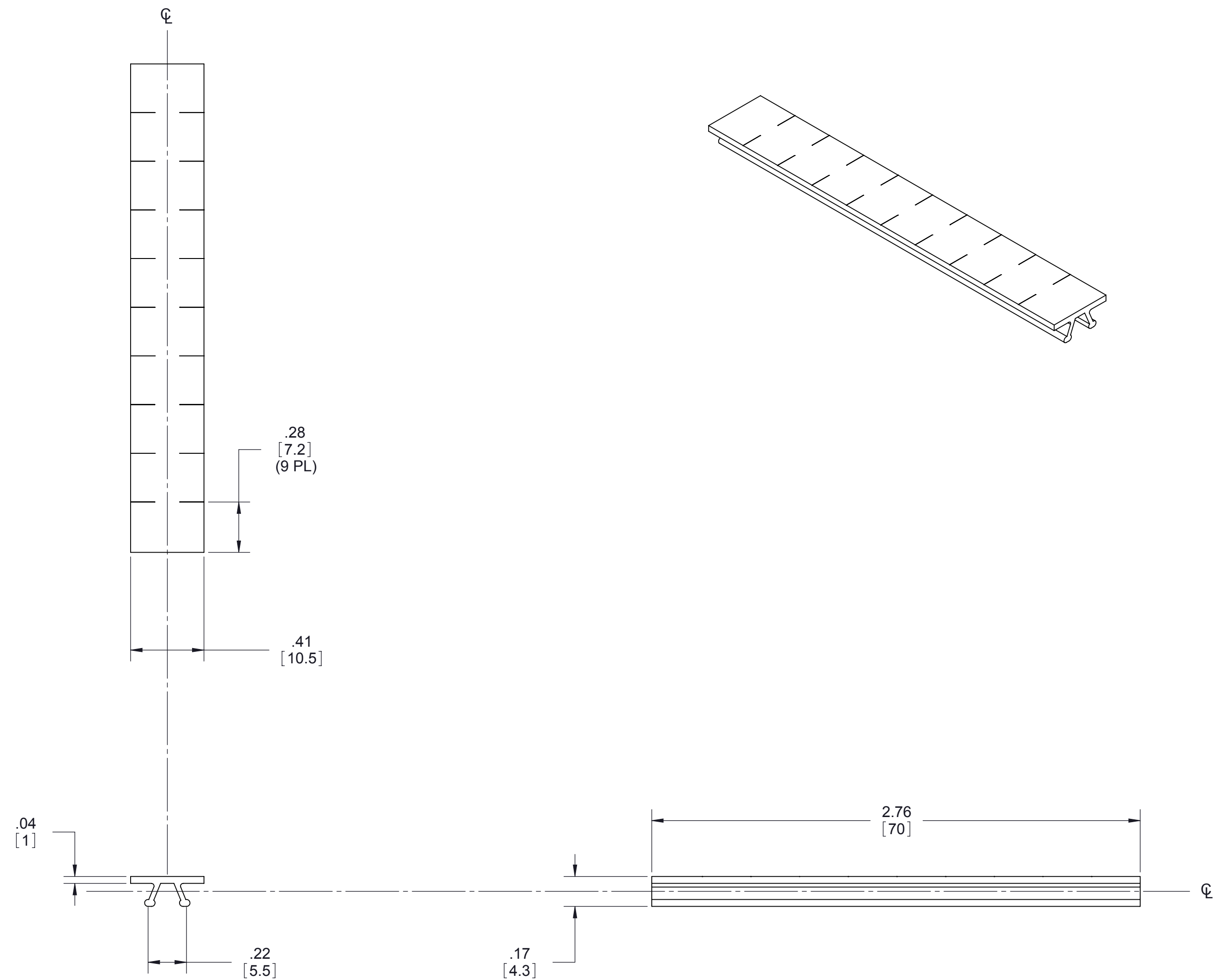


NOTE: P/N DESCRIPTION

CNLB; BLANK STRIPS.

CNLN; NUMBERED 1 to 10 STRIPS.

CNL2; NUMBERED 11 to 20STRIPS.



Tolerances: ± 0.02 in / 0.5 mm. All dimensions are in: inches [millimeters]