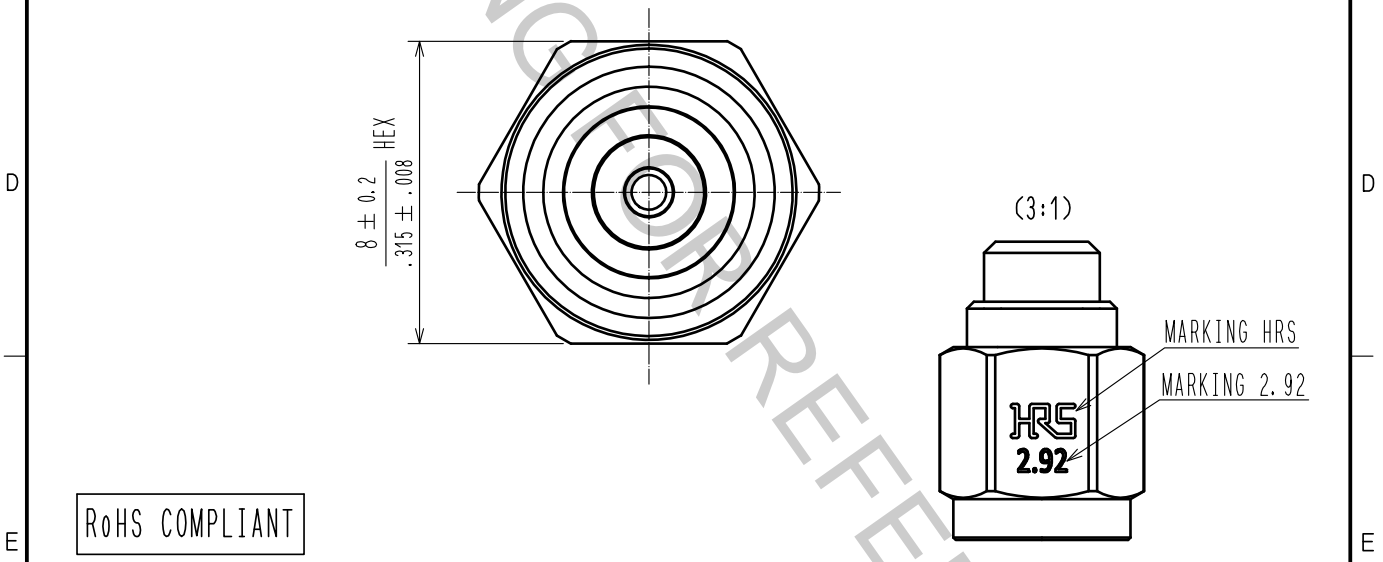
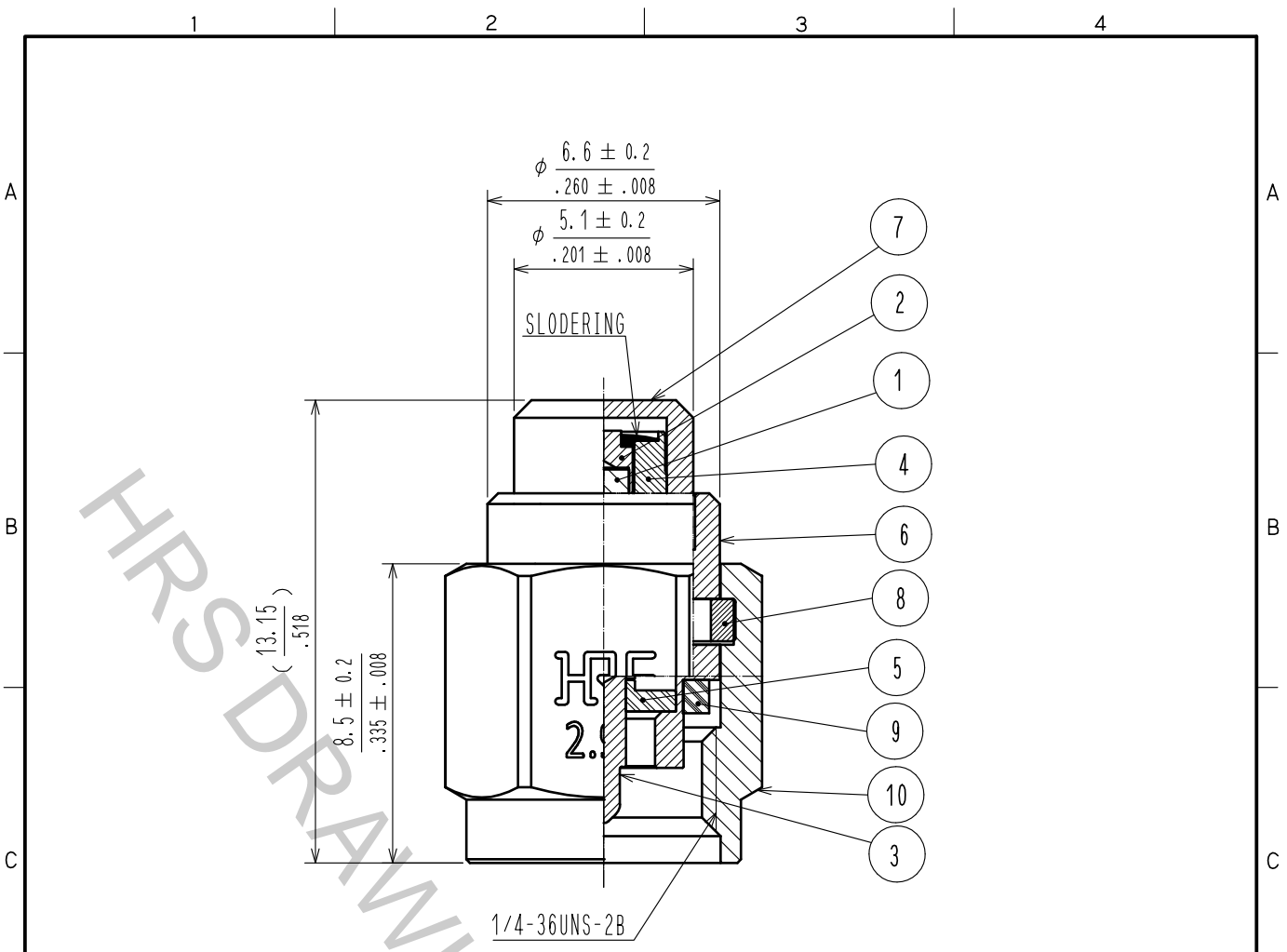


Aug.1.2018 Copyright 2018 HIROSE ELECTRIC CO., LTD. All Rights Reserved.  
 In case that the application demands a high level of reliability, such as automotive,  
 please contact a company representative for further information.



RoHS COMPLIANT

| 5   | PTFE       |              | 10      | STAINLESS STEEL  | PASSIVATE      |          |         |
|-----|------------|--------------|---------|------------------|----------------|----------|---------|
| 4   | BRASS      | GOLD PLATING | 9       | SILICONE RUBBER  |                |          |         |
| 3   | BRASS      | GOLD PLATING | 8       | BERYLLIUM COPPER | NICKEL PLATING |          |         |
| 2   | BRASS      | GOLD PLATING | 7       | BRASS            | NICKEL PLATING |          |         |
| 1   | RESISTANCE | 50 Ω         | 6       | STAINLESS STEEL  | PASSIVATE      |          |         |
| NO. | MATERIAL   | FINISH .     | REMARKS | NO.              | MATERIAL       | FINISH . | REMARKS |

|                           |  |                |           |   |   |         |      |
|---------------------------|--|----------------|-----------|---|---|---------|------|
| UNITS<br>mm               |  | SCALE<br>5 : 1 | COUNT<br> | DESCRIPTION OF REVISIONS  | DESIGNED  | CHECKED | DATE |
| HIROSE ELECTRIC CO., LTD. |  |                |           | APPROVED : KH. IKEDA 17.08.04<br>CHECKED : TS. NOBE 17.08.04<br>DESIGNED : AH. MARUYAMA 17.08.04<br>DRAWN : AH. MARUYAMA 17.08.04 | DRAWING NO. EDC-374634-00-00<br>PART NO. HK-TMP<br>CODE NO. CL353-0014-0-00 |         |      |