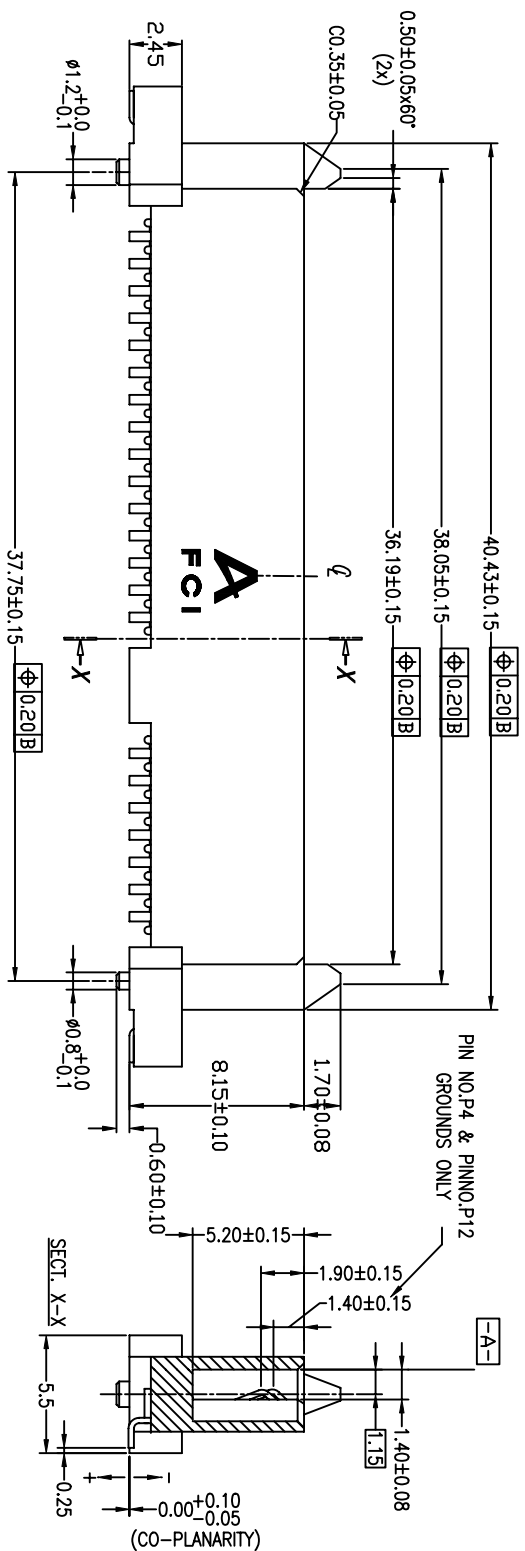
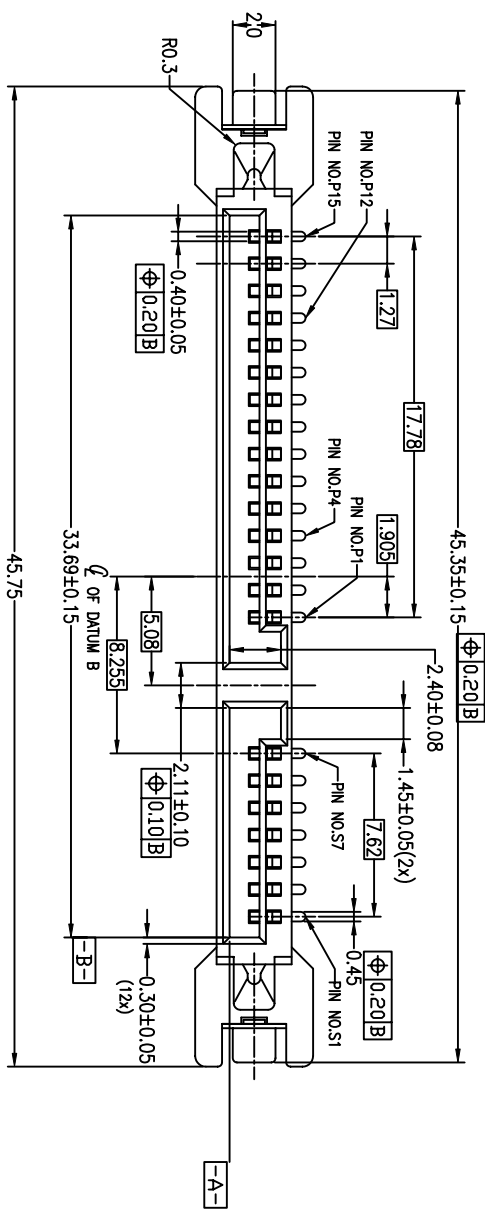




PRODUCT NO.
SEE TABLE



FCI

CONFIDENTIAL



www.fciconnect.com

CUSTOMER COPY
title: S-ATA COMBO RECE.
SMT VERTICAL TYPE ASS'Y

mat'l. code	tolerances unless otherwise specified	CUSTOMER COPY	projection	title	product family	code
ltr	ecn no	dr	dtte	linear	GL LOO	TWN
A	S03-0090	GLL	06/26/03	.XX ± 0.25	GL LOO	sheet
B	S03-0162	GLL	10/03/03	.XXX ± 0.15	GL LOO	1 of
C	S04-0084	GLL	04/27/04	0° ± 2°	JOEY NG	
D	T07-1110	S.LIN	07/04/07		GL LOO	
E	T08-1035	S.LIN	03/06/08		GL LOO	
sheet index	revision	sheet	1	2	scale	NA
					MM	
					product family	SATA
					size/dwg no	59337
					code	TWN
					sheet	1 of

1 | 2

ACAD

3 |

4

